
Lifting data

Lifting capacity, rated - at max. lifting height	kg	16000-16000
Lifting speed, unloaded - at rated load	m/s	0,4-0,35
Lowering speed, unloaded - at rated load	m/s	0,4-0,4

Driving data

Travelling speed forward, unloaded - at rated load	km/h	30-30
Travelling speed backward, unloaded - at rated load	km/h	30-30
Gradeability at 2 km/h, unloaded - at rated load	%	41-22
Max. gradeability, unloaded - at rated load	%	51-26
Drawbar pull	kN	105
Stability according to EN 1551		

Weight of truck

Service weight	kg	22400
Axle load front, unloaded - at rated load	kg	10500-35800
Axle load rear, unloaded - at rated load	kg	11900-2600

Engine

Manufacturer - type designation		Volvo-TD640VE
Fuel - type of engine		Diesel - 4 stroke
Power according to ISO 3046 - at speed	kW-r/min	129-2400
Torque according to ISO 3046 - at speed	Nm-r/min	690-1400-1500
Number of cylinders - compression		6-19,0:1
Alternator, type - power	W	AC-1540
Starting battery, voltage - capacity	V-Ah	2x12-140
Fuel consumption, normal driving	l/h	7-10

Transmission

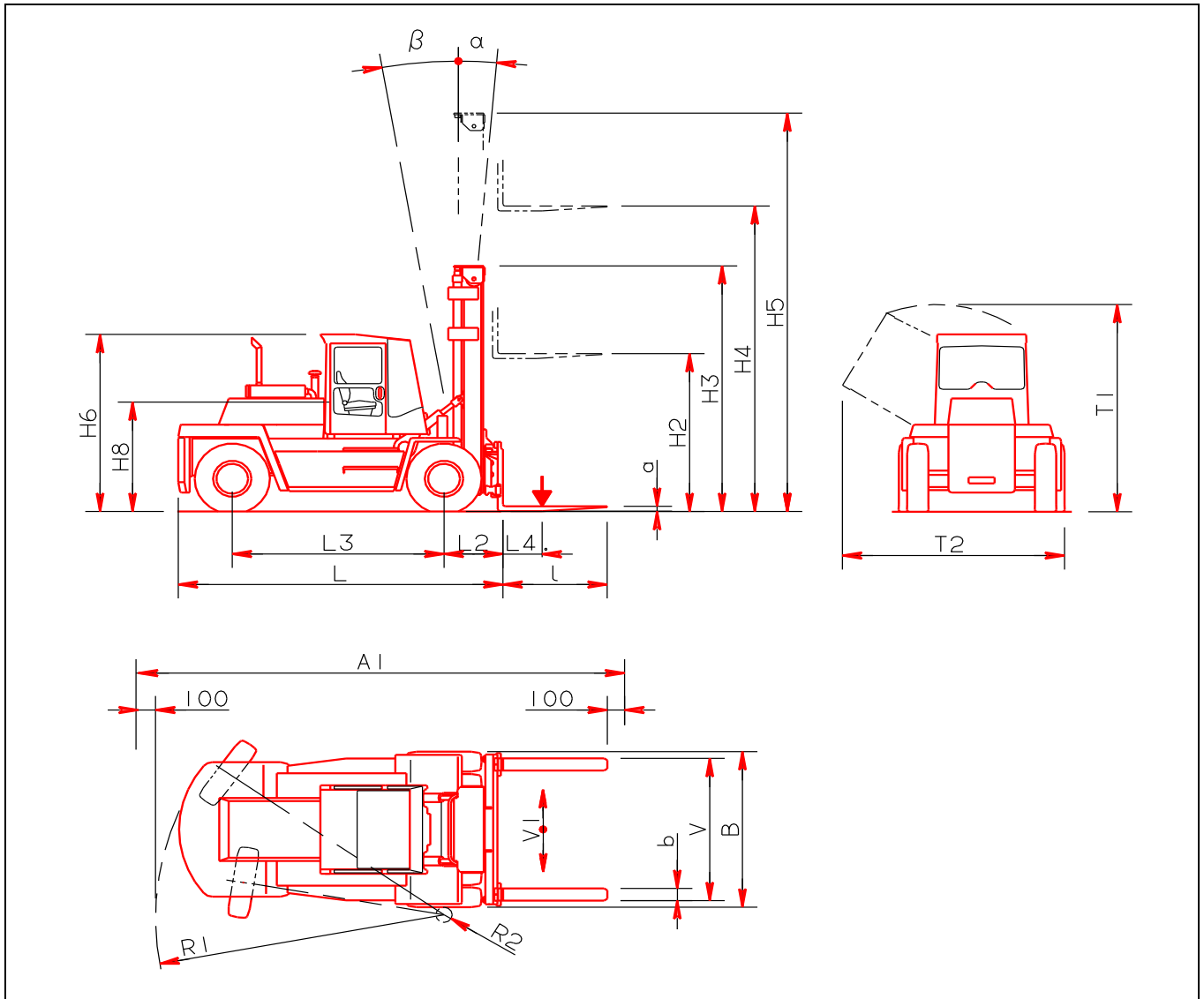
Manufacturer - type designation		Clark-13,7HR28000
Clutch, type		Torque converter
Gearbox, type		Powershift
Number of gears, forward - reverse		3-3
Driving axle, type		Differential and hub reduction

Wheels

Type, front - rear		Pneumatic
Dimension, front - rear		12.00x20-12.00x20
Number of wheels, front - rear (* driven)		4*-2
Pressure	MPa	1,0

Steering and brake system

Steering system - manoeuvring		Servo assisted - Steering wheel
Driving brake system, type - affected wheels		Wet disc brakes - Drive wheel
Parking brake system, type - affected wheels		Spring brake - Drive wheel
Max. hydraulic pressure	MPa	17,5
Noise level according to DIN 45635 part 36, cabin	dB(A)	73
Fuel volume	l	205
Hydraulic oil volume	l	220



Dimensions

Lifting height	H4	mm	5000
Tilting of lifting mast, forward - backward	α - β	°	5-10
Turning radius	R1-R2	mm	5175-600
Min. aisle for 90° stacking with forks	A1	mm	8770
Mast height, min. - max.	H3-H5	mm	4185-6685
Height of machine	H6	mm	2910
Length of truck	L	mm	5575
Width of truck	B	mm	2530
Length of fork arm	l	mm	2400
Load centre	L4	mm	1200
Width over fork arms, max. - min.	V	mm	2360-700
Sideshift max. \pm - at width over fork arms	V1-V	mm	415-1530
Fork arm, width - thickness	b-a	mm	250-100
Distance front axle / front face of fork arm	L2	mm	995
Wheel base	L3	mm	3750
Track (c-c), front - rear	S	mm	1855-1960
Ground clearance, min.		mm	250
Height of seat	H8	mm	1790
Height when tipping cabin, max.	T1	mm	3425
Width when tipping cabin, max.	T2	mm	3380

