



Instrumentation:

Clear instrument panel with primary warnings to avoid operator confusion.



Controls:

Automotive style controls ensure rapid driver familiarity, reducing accidents and load damage. Access from both sides.



Full suspension seat:

Comfort and lumbar support for low physical stress levels ensure eight-hour shift alertness. Waterproof or luxury material.



Sideshift & fork spread:

Optional sideshift with standard fork spread encourages correct heavy fork positioning to reduce accidents and load damage.



Mast:

Heavy sections and square-set main rollers. Easily adjustable side thrust rollers allow confident handling of long, off-centre and rotating loads.

SAMUK^{HC}

BY series

**Diesel/LPG Lift Trucks
5.0 - 12.0 tonnes**

SPECIFICATIONS

SAMUK+HC is associate Samuk Boss Hangcha Group and exclusive distributor for Great Britain and Ireland.

The automated Parts Centre at Peterborough is organised to supply parts overnight by courier - land and air - to registered addresses in the UK, European Union and Mediterranean countries.

Hangcha is the largest Chinese manufacturer with a production capacity of over 100,000 trucks per year by 2009. This ensures long-term survival coupled with ample funds for strong research and development, plus worldwide after-sales service. The best long-term support up to 25 years for bigger trucks is assured, providing excellent investment conditions and high used values in secondary markets.



**ISO9001
ISO14001**

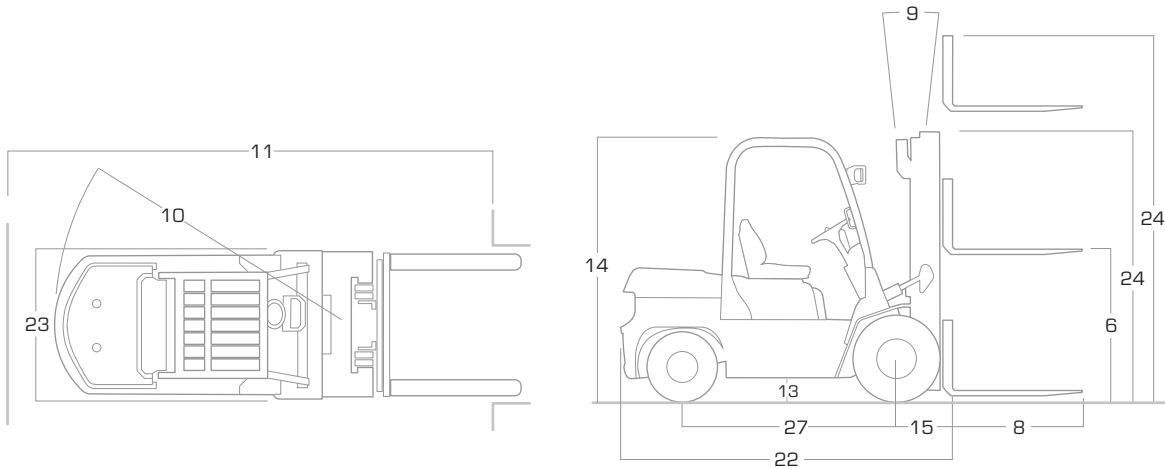
DIESEL / LPG

BY series: SPECIFICATIONS

general	1 Model:	
	2 Load capacity:	
	3 Load centre:	mm
	4 Power:	type
characteristics	5 Rated fork height:	mm
	6 Free lift:	mm
	7 Carriage:	
	8 Fork size:	L x W x T
	9 Tilt range:	FWD/BWD
	10 Turning radius:	mm
	11 Aisle stacking width (add load, clearance):	mm
	12 Ground clearance unladen: minimum	mm
	13 wheelbase centre	mm
	14 Overhead guard height:	mm
size performance	15 Lost load centre:	mm
	16 Counterweight overhang:	mm
	17 Travel speed: maximum, unladen	kmh
	18 Gradeability: maximum, laden	%
19 Lifting speed: laden	mms	
20 Lowering speed: laden	mms	
size	21 Length to fork face:	mm
	22 Overall width:	mm
	23 Height without backrest: mast, down/up	mm
chassis	24 Tyres: front	
	25 rear	
	26 Wheelbase:	mm
weight	27 Tread:	mm
	28 Weight: unladen	kg
29 Weight distribution: laden, front/rear	kg	
30 unladen, front/rear	kg	
drive unit	31 Battery: voltage/capacity	v/ah
	32 Engine: diesel model	
	33 lpg model	
	34 rated power	kw/rpm
	35 rated torque	Nm/rpm
	36 cylinders/displacement	no/cc
	37 fuel tank capacity	l
	38 Transmission: make	
	39 type	
	40 stage, FWD/RVS	
	41 shift type	
	42 Operating pressure: for attachments	MPa
	43 Brakes: type	
	44 size, diameter/width	mm

BY50D/L	BY60D/L	BY70D/L	BY80D	BY100D	BY120D
5000	6000	7000	8000	10000	12000
			600		
diesel/lpg			diesel		
			3300		
160		165	200		
4A		4A (5A option)			
1200x150x60		1200x150x65	1200x160x70	1200x160x80	1200x170x85
		6/12			
3160	3200	3280	3690	4050	4270
3770	3810	3895	6095	6420	6760
		170	250		265
		230	315		325
		2280	2490		2575
610		615	705	730	740
615	665	735	690	705	710
		24	26		26.5
		20			
420	400	360	350	325	300
450	450	450	460	460	460
3475	3525	3600	3896	4235	4260
		1990	2165		2215
		2500/4420		2850/4410	
		8.25-15-14PR		9.00-20-14PR	
		8.25-15-14PR		9.00-20-14PR	
		2250		2800	
		1489/1460		1600/1700	
8000	8400	9300	11300	13000	13958
11700/1300	12960/1440	14670/1630	17370/1930	20700/2300	23582/2620
3200/4800	3360/5040	3720/5580	4520/6780	5200/7800	5588/8500
		24/105(5hr)		CUMMINS QSB4.5-115 3A	
		GM4.3V6LPG		GSB4.5-152 3A option	
		86/2200		110/2200	
		437/1500		622/1500	
		4/4500			
		120	200		
		ADVANCE			
		Torque convertor powershift full inching			
		2/1	2/2		
		Electrical-hydraulic			
		17			
		Power-assisted Akibone drum		Dry disc, 3 calipers	
		317/100		360/30	

Rated at 3300mm lift, 600mm load centre : Check mast specification, marginal height, load centre derations & load types with Dealer.
Materials & specifications are subject to change without notice.



Models

BY50D/L

5.0 tonnes @ 600mm
CUMMINS diesel or GM lpg engine
ADVANCE 2/1 powershift transmission

BY60D/L

6.0 tonnes @ 600mm
CUMMINS diesel or GM lpg engine
ADVANCE 2/1 powershift transmission

BY70D/L

7.0 tonnes @ 600mm
CUMMINS diesel or GM lpg engine
ADVANCE 2/1 powershift transmission

BY80D

8.0 tonnes @ 600mm
CUMMINS QSB 4.5 litre engine
ADVANCE 2/2 powershift transmission

BY100D

10.0 tonnes @ 600mm
CUMMINS QSB 4.5 litre engine
ADVANCE 2/2 powershift transmission

BY120D

12.0 tonnes @ 600mm
CUMMINS QSB 4.5 litre engine
ADVANCE 2/2 powershift transmission

Features

KISS:

Keep It Simple Specification without gadgets unless a proven driver benefit accepted by service.

Training:

Minimum training for experienced drivers and service engineers. Ideal for multi-skilled staff.

Prices:

Realistic list prices and discounts, captive-free service by your local mechanic. Acceptable parts prices.

Realistic price list with discounts protected by cost-effective laptop-free maintenance and parts for five years.

Operator's compartment:

Wide, non-slip steps and strong grab handles allow safe access from either side to the driver's seat.

Good visibility of the road and load helps to reduce accidents.

MASTS

LOAD CHARTS

5.0 - 7.0 tonnes

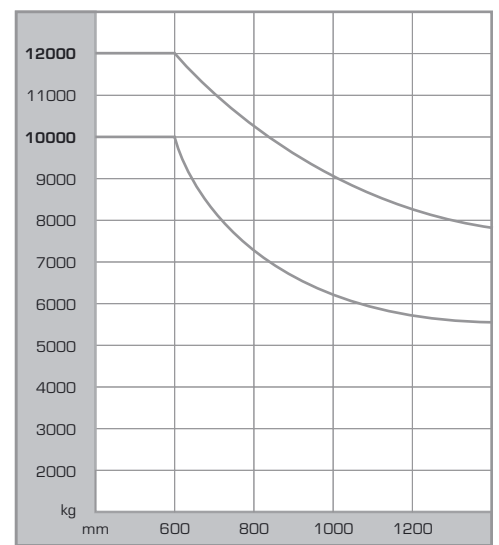
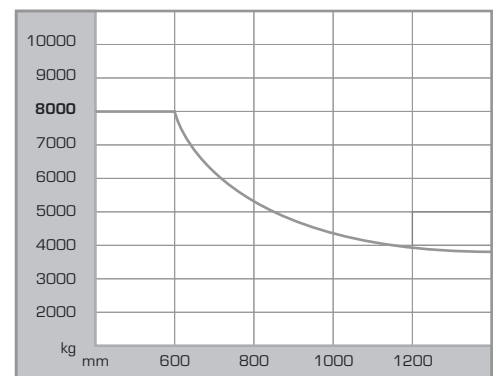
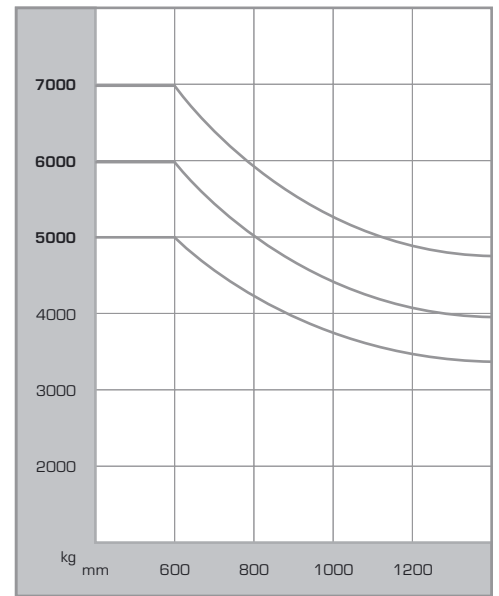
	Maximum fork height mm	Lowered height mm	Raised height with backrest mm	Free lift mm	Tilt range FWD/BWD deg	Load height deration dual tyre kg @ 600mm load centre		
						BY50D	BY60D	BY70D
duplex standard	2500	2250	3917	160	6/12	5000	6000	7000
	2700	2350	4117	160	6/12	5000	6000	7000
	3000	2500	4417	160	6/12	5000	6000	7000
	3300	2650	4717	160	6/12	5000	6000	7000
	3600	2800	5017	160	6/12	4800	5700	6700
	4000	3000	5417	160	6/12	4600	5600	6500
	4300	3200	5717	160	6/6	4300	5200	6000
	4500	3300	5917	160	6/6	4100	5000	5600
	4800	3450	6217	160	6/6	3600	4400	5100
	5000	3550	6417	160	6/6	3300	4000	4600
5500	3850	6917	160	3/6	2600	3000	3500	
6000	4100	7417	160	3/6	2000	2300	2800	
duplex FFL	2500	2185	3637	1048	6/12	5000	6000	7000
triplex FFL	4000	2520	5417	1123	6/6	4500	5500	6500
	4500	2720	5917	1323	6/6	4500	5500	6500
	4800	2820	6217	1423	6/6	4500	5500	6500
	5000	2870	6417	1473	6/6	4500	5500	6100
	5500	3070	6917	1673	3/6	4200	5200	5700
	6000	3220	7417	1823	3/6	4000	5000	5400
	7000	3670	8417	2273	3/6	2900	3300	4000

8.0 tonnes

	Maximum fork height mm	Lowered height mm	Raised height with backrest mm	Free lift mm	Tilt range FWD/BWD deg	Load height deration dual tyre kg @ 600mm load centre	
						BY80D	
duplex standard	2500	2450	3710	200	6/12	8000	
	2700	2550	3910	200	6/12	8000	
	3000	2700	4210	200	6/12	8000	
	3300	2850	4510	200	6/12	8000	
	3600	3000	4810	200	6/12	7700	
	4000	3200	5210	200	6/12	7200	
	4300	3400	5510	200	6/6	6700	
	4500	3500	5710	200	6/6	6300	
	4800	3650	6010	200	6/6	5900	
	5000	3750	6210	200	6/6	5600	
5500	4050	6740	200	3/6	4800		
6000	4300	7240	200	3/6	3900		

10.0 - 12.0 tonnes

	Maximum fork height mm	Lowered height mm	Raised height with backrest mm	Free lift mm	Tilt range FWD/BWD deg	Load height deration dual tyre kg @ 600mm load centre	
						BY100D	BY120D
duplex standard	2500	2600	4055	200	6/12	10000	12000
	2700	2700	4255	200	6/12	10000	12000
	3000	2850	4555	200	6/12	10000	12000
	3300	3000	4855	200	6/12	10000	12000
	3600	3150	5155	200	6/12	9600	11500
	4000	3350	5555	200	6/12	9000	10800
	4300	3550	5855	200	6/6	8300	9900
	4500	3650	6055	200	6/6	7900	9100
	4800	3800	6355	200	6/6	7200	8600
	5000	3900	6555	200	6/6	6700	7800
5500	4200	7055	200	3/6	5500	6600	
6000	4450	7555	200	3/6	4300	5100	
triplex FFL	Refer to SAMUK+HC dealer for 4000 - 7000mm lift heights stating load weight / load centre / lift height.						



BY series

Diesel/LPG Lift Trucks
5.0 - 12.0 tonnes

SPECIFICATIONS

100909

BY series

Diesel/LPG Lift Trucks 5.0 - 12.0 tonnes

Diesel / LPG

BY50D/L

5.0 tonnes @ 600mm
CUMMINS diesel or GM lpg engine
ADVANCE 2/1 powershift transmission

BY60D/L

6.0 tonnes @ 600mm
CUMMINS diesel or GM lpg engine
ADVANCE 2/1 powershift transmission

BY70D/L

7.0 tonnes @ 600mm
CUMMINS diesel or GM lpg engine
ADVANCE 2/1 powershift transmission

BY80D

8.0 tonnes @ 600mm
CUMMINS 4.5 litre engine
ADVANCE 2/2 powershift transmission

BY100D

10.0 tonnes @ 600mm
CUMMINS 4.5 litre engine
ADVANCE 2/2 powershift transmission

BY120D

12.0 tonnes @ 600mm
CUMMINS 4.5 litre engine
ADVANCE 2/2 powershift transmission



- KISS: Keep It Simple Specification**
Design incorporates the latest technology but remains uncomplicated.
- 500 hours laptop-free service up to 12t@600mm
 - 2.5m duplex to 7.0m triplex masts
 - Excellent view of forks, load & road
 - Minimum operator & engineer training
 - Heavy duty design for high reliability
 - Big masts to resist twist for precision stacking and dynamic long loads.
 - Micro filters for all systems
 - CUMMINS diesel engines
 - Engine stage 3A emission standards
 - Sub-tropical cooling
 - Industrial powershift clutch packs with torque converter inching at maximum engine speed.
 - Large drum and disc power brakes
 - Either side access to driver cockpit

The BY series trucks are designed for 10-15,000 running hours or more between major overhauls.

Ideal for 5 year rental contracts.

Service performed without laptops by your own staff or by independent service dealers with minimum training, avoiding expensive manufacturer's organisation.

Spare parts are available from your local dealer. Over 90% are available ex-stock and can be dispatched by overnight courier to registered addresses.

Warranty is 1 year parts & labour. 2 - 5 years / 4,000 hours total parts only - no extra charge - authorised Dealer-recorded service, excluding ancillaries and perishables.

Powertrain warranty is 5 years / 4000 hours parts (authorised Dealer-recorded service).

The biggest 600mm load centre series with laptop-free maintenance



Materials & specifications shown in this brochure may change without notice.

With 9 specifications to choose from you might need some help to decide which model is the right one for your particular application.

SAMUK+HC, or one of its local independent dealers, will be happy to offer personal advice or information so that you are confident of making the right choice.

Local dealers know you and your application - ensuring the correct selection and life-long after-sales service at reasonable prices.

Call SAMUK+HC on the dedicated advice number, or contact the dealer shown below.

We really do want to help you to make the right decision.



ISO9001
ISO14001



SAMUK LIFT TRUCKS LIMITED

Toddington . Bedfordshire . LU5 6HJ
tel 01525 877700 . fax 01525 874555
www.samuk.net . sales@samuk.net

Associate SAMUK BOSS HANGCHA Group
having an agreement with Hangcha for trucks & parts.