



Freflex FRE270 is a 4-way reach truck which provides the combined benefits of advanced design and AC power for applications which require long-load handling, as well as the ability to handle conventional pallets in confined situations.

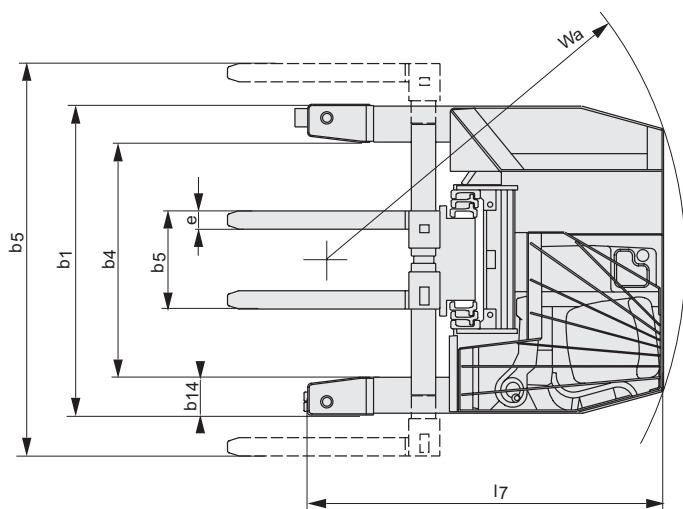
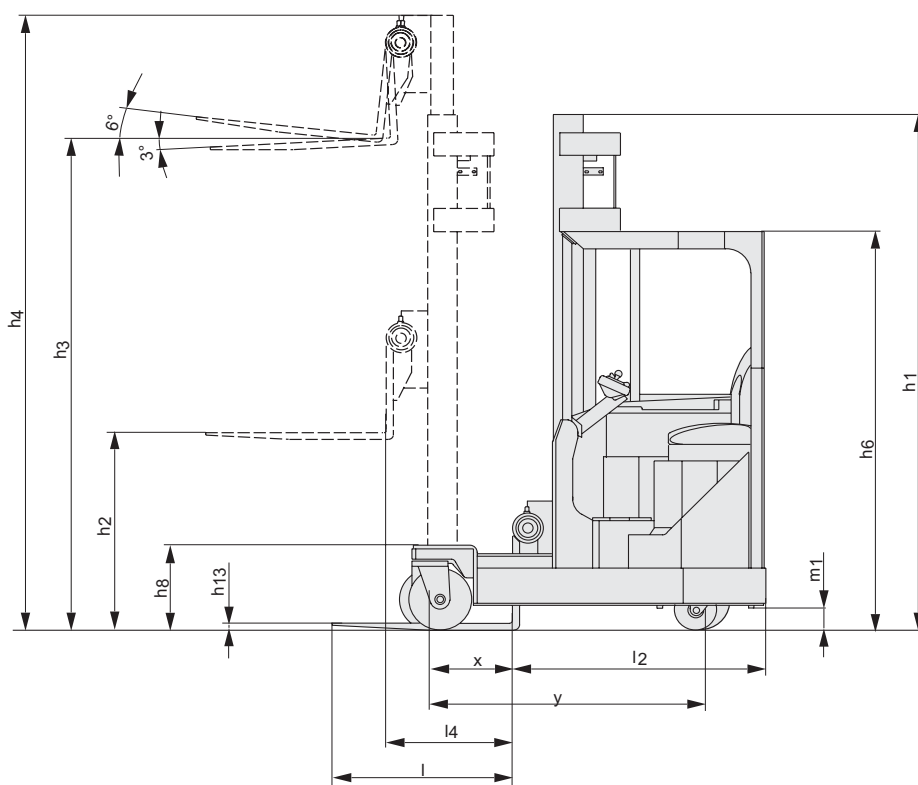


Technical Details		FRE270, a	FRE270, b
Power unit		electrical, battery	
Rated capacity/load centre	kg/mm	2700/400	2700/400
		2500/500	2700/500
		2250/600	2700/600
Fork positioning		hydraulic	
Weight without battery, (h ₃ =6300 mm)		3370	3370
Max. axle pressure fork wheel side, without/with rated load	kg	1315/4335	1315/4335
Max. axle pressure drive wheel side, without/with rated load	kg	3490/3220	3490/3220
Wheel type		polyurethane	
dimension, support arm wheels	mm	Ø 350	Ø 350
dimension, drive wheel	mm	Ø 350	Ø 350
dimension, castor wheels	mm	Ø 230	Ø 230
Travel speed, without/with rated load	km/h	8,0/8,0	8,0/8,0
Service brake		electrical	
Parking brake		autom. electr. magnetic	
Lift speed, without/with rated load	m/s	0.44/0.25	0.44/0.25
Lowering speed, without/with rated load	m/s	0.38/0.33	0.38/0.33
Gradient, without/with rated load	%	12/7	12/7
Drive motor/Intermittent rating	kW/%	7.5/60	7.5/60
Lift motor/Intermittent rating	kW/%	14/15	14/15
Battery weight	kg	1150	1150
Battery (5h discharge)	V/Ah	48/750	48/750
Steering system		electronic power steering	
Speed control		transistor, stepless	

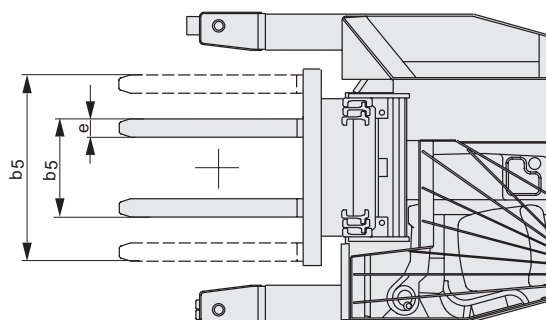
Dimensions, mm		FRE270, a	FRE270, b
x	Front axle to fork front face	450	450
y	Wheel base	1514	1514
h ₈	Height of support arm	480	480
h ₁₃	Height of lowered fork	45	45
l ₂	Truck length incl. back of fork	1460	1460
b ₁	Chassis, width	1710	1710
e	Fork width	100	125
l	Fork length	700/1000/1150	700/1000/1150
b ₅	Width across fork, min./max.	540/2160	400/960
b ₄	Width between support arms	1295	1295
b ₁₄	Width of support arm	205	205
l ₄	Reach movement	700	700
m ₁	Floor clearance	115	115
W _a	Turning radius	1988	1988
l ₇	Truck length excl. fork	1960	1960
h ₆	Height of cab	2260	2260

Performance may vary due to motor and system efficiency tolerance and represents nominal values obtained under typical operating conditions.
BT Products AB products and specifications are subject to change without notice.
Datas are based on VDI 2198.

Mast, mm		FRE270									
h₃	Lift height	4150	4500	4800	5400	5700	6300	6700	7000	7500	8000
Duplex Hi-Lo											
h ₁	Height of mast, min.	2920	3100								
h ₂	Free lift	2050	2230								
h ₄	Height of mast, max.	4980	5330								
Triplex Hi-Lo											
h ₁	Height of mast, min.			2450	2650	2750	2950	3180	3280	3550	3710
h ₂	Free lift			1587	1787	1887	2087	2320	2420	2687	2853
h ₄	Height of mast, max.			5620	6220	6520	7120	7520	7820	8330	8820



a Wide fork spread across support arms



b Thin fork spread between support arms



- The direction of the truck is determined by rotation of the turnable support arm wheel, which enables the truck to travel forwards, backwards or sideways — which means that it can operate as a side loader.
- Three push-buttons located on the dashboard allow easy selection of performance parameters. Standard set-up choices available.
- Two different hydraulic fork spreaders are available. Wide fork spread across the support arms, range 540 — 2160 mm. Thin fork spread between the support arms, range 400 — 960 mm.
- Drive and castor wheels are built on a cross-mounted bogie to allow traction on uneven floors.
- The braking system is electronic, progressive and regenerates energy to the battery. It can also be programmed to suit driver preferences.

Truck features	FRE270	
	Wide spread	Thin spread
Fork spreader	S	S
Tilting forks	S	S
Controls and instruments		
Fingertip controls	S	S
Information display	S	S
Power/Electronic steering	S	S
Sideshift	—	S
Steering direction indicator	S	S
Driving features		
Front seated driver position	S	S
360° steering	S	S
Creep speed function	S	S
Electronic braking system	S	S
Safety features		
Automatic parking brake	S	S
Clear view mast	S	S
Electronic support arm brake	S	S
Programmable performance	S	S
Drivers compartment features		
Adjustable seat	S	S
Adjustable steering wheel	S	S
Low step-in	S	S
Maintenance features		
Easy access for maintenance	S	S
Fault diagnosis facility	S	S
History fault log	S	S
Battery management features		
Battery status indicator	S	S
Horizontal battery change	S	S

S = Standard feature

O = Optional feature

— = Not available