

Terminal Tractor

Kalmar RoRo Tractor



TECHNICAL INFORMATION

4x4 TR618i

Technical Data

Kalmar RoRo Tractor 4x4 TR618i

ENGINE

Volvo TAD 750 VE 181 kW @2300 rpm, 1050 Nm @1500 rpm.
Optional: SisuDiesel 74 CTA 180 kW.
Engines complies with EU stage 3A and EPA/CARB Tier 3 emission levels (Off-road).

TRANSMISSION

Dana RTE 15822 (8+8 gears), torque converter C333.5.

AXLES

Front axle SISU SSDP with hub reduction by 5 planet pinions. Rear axle SISU SRDP with hub reduction by 4 planet pinions. Axle ratio 20.57:1 as standard and 16.41:1 as option.

CHASSIS

All-welded steel chassis. High-resistance side bumpers for good protection of accessories. Standard colour RAL 7021 (Kalmar black).

CABIN

Designed and tested according to strict safety (ROPS, ISO 3471:1994) standards. Excellent visibility to all directions and superb comfort for the driver. Tiltable 60 degrees. Standard colour RAL 3000 (Kalmar red).

LIFT BOOM

The lifting height is 1000 mm with two double-acting telescopic cylinders. Lifting capacity on the fifth wheel is 32 000 kg as standard. The fifth wheel has $\pm 10^\circ$ lateral tilting. Driver can control the tilting angle by hydraulic valve.

HYDRAULIC SYSTEM

Variable displacement pump capacity 138 dm³/min, pressure 200 bar. Hydrostatic steering by orbitrol with emergency function and two double-acting steering cylinders fitted on front axle.

PNEUMATIC SYSTEM

Two-cylinder compressor, 8 bar working pressure. The brake system operates with two independent circuits.

ELECTRIC SYSTEM

24 V, negative ground, batteries 2 x 170 Ah with main switch. CAN-BUS (Controller Area Network) -interface.

TURNING RADIUS

Front fender, left 6.40 m
Front fender, right 6.40 m

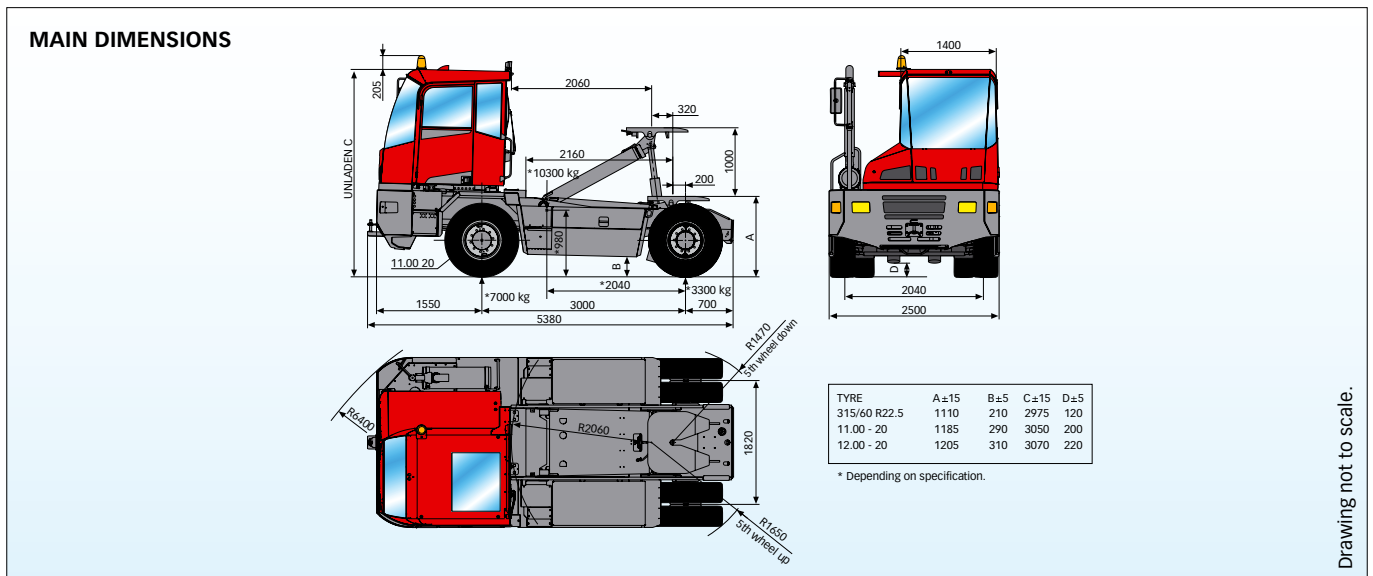
WEIGHTS

Own weight * 10 300 kg
Front axle * 7 000 kg
Rear axle * 3 300 kg

* Depending on specifications.

OPTIONAL EQUIPMENT

Wide selection of optional equipment available.



Subject to change without notice.

Cargotec improves the efficiency of cargo flows by offering solutions for the loading and unloading of goods on land and at sea – wherever cargo is on the move. Cargotec's main daughter brands for cargo handling are Hiab, Kalmar and MacGregor. In addition, Cargotec's global network offers extensive services that ensure the continuous and reliable performance of equipment. www.cargotec.com



Cargotec Finland Oy
Valmetinkatu 5, P.O. Box 387
FI-33101 Tampere Finland
tel. +358 3 265 8111
fax +358 3 265 8201
www.kalmarind.com