

MIX BALE CLAMP

AGRICULTURAL HANDLING Solutions

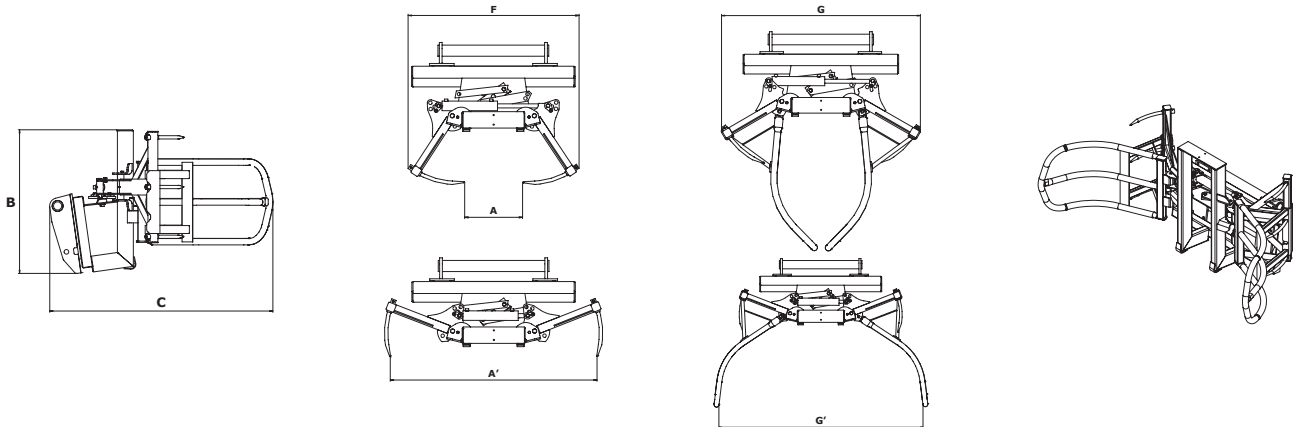


ADVANTAGES

- Versatile: 2 in 1 attachment.
- Handles rectangular and round bales as well as wrapped bales.
- Easy to use: from one attachment to another in less than 3 minutes.
- Handles up to 2 bales.
- Innovative: easy hitching system (no tools, no dismantling).

TECHNICAL CHARACTERISTICS

- 2 x 3 teeth.
- Synchronized or non-synchronized closure.
- Very good lifting capacity up to 800 kg.
- Handles wrapped bales with diameter from 1 m to 1,60 m.
- Handles bales with diameter from 0,9 m to 1,80 m.
- Handles 2 rectangular bales with height of 1,2 m each.



	Capacity (kg)	A	A'	B	C	F	G	G'	Weight (kg)
MBC2x3	800	420	1510	1084	1683	1250	1529	2005	200

COMPATIBILITY*

	MBC2x3
Part Number	790506
MLT 625	X
MLT 629	X
MLT 634	X
MLT 735	X
MLT 840	X
MLT 845	X
MLT 1040	X

* This Attachment has been approved for the MLT listed above. A load chart Machine/Attachment has been created accordingly.



This brochure describes versions and configuration options for Manitou products which may be fitted with different equipment. The equipment described in this brochure may be standard, optional or not available depending on version. Manitou reserves the right to change the specifications shown and described at any time and without prior warning. The manufacturer is not liable for the specifications given. For more information, contact your Manitou dealer. Non-contractual document.
Product descriptions may differ from actual products. List of specifications is not comprehensive. The logos and visual identity of the company are the property of Manitou and may not be used without authorisation. All rights reserved. The photos and diagrams contained in this brochure are provided for information only.
MANITOU BF SA - Limited company with board of directors - Share capital: 39,547,824 euros - 857 802 508 RCS Nantes
MBC2x3_EN_C_0913



www.manitou.com