



# COMBiLiFT

Customised Handling Solutions

## C2500 - C4000 STE COMBI-ST ELECTRIC



Sit Down Cabin Option



Sit Down Cabin



Stand on Cabin



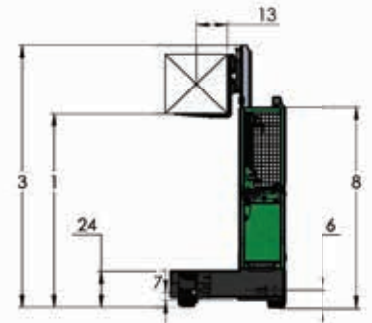
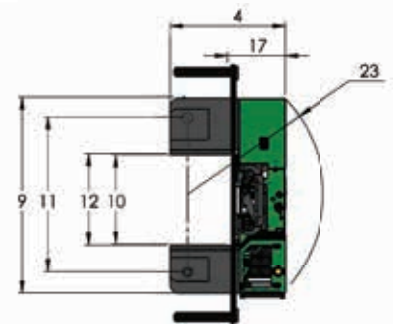
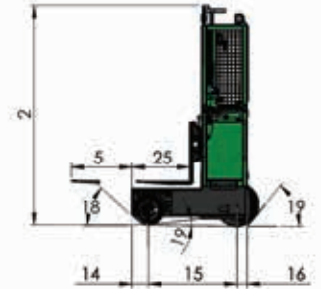
# SPECIFICATIONS

## C2500 - C4000 STE

PCT Patent Application No. PCT/EP2014/053066

UK Patent Application No. GB1302811.3

Ref.	Description	C2500	C3000	C4000
1a	Max. Lift Height		4040mm	
1b	Freelift Height		0mm	
2	Height Mast Closed		2830mm	
3	Max. (Mast raised)		5185mm	
4	Overall Length	1950mm		2100mm
5	Mast Travel		1250mm	
6	Ground Clearance Under Mast		230mm	
7	Ground Clearance to Centre of Wheelbase		150mm	
8	Height Over Cab (Without work - lights)		2730mm	
9	Platform Width	2645mm		2914mm
10	Outside Spread of Fork Arms		1200mm	
11	Track Front		2085mm	
12	Frame Opening	1230mm		1500mm
13	Load Centre Distance		600mm	
14	Overhang Front		235mm	
15	Wheelbase		1580mm	
16	Overhang Back		135mm	
17	Length From Face of Fork	780mm		900mm
18	Approach Angle		45°	
19	Ramp Angle		17°	
20	Departure Angle		45°	
21	Forward Tilt		4°	
22	Backward Tilt		4°	
23	Minimum Outside Radius		2000mm	
24	Platform Height		495mm	
25	Platform Length		1200mm	
A	Capacity	2500kg	3000kg	4000kg
B	Unladen Weight	6250kg	6450kg	6650 kg
C	Maximum Ground Speed		10km/h	
D	Gradability		10%	
E	Battery Capacity		80V / 465 Ah	
F	Fork Section	50 x 150 x	1200mm	
G	405/305-260 Front Tyre (Solid)		OD 405mm / Width 260mm	
H	23 x 10 – 12 Rear Tyre (Super Elastic)		OD 580mm / Width 240mm	
I	Standard Colour		Green & Grey	
J	AC Electric Traction Motor x 2		80v / 5kW	
K	AC Electric Pump Motor		80V / 19kW	



### FEATURES INCLUDE:

- Rubber Mounted Cabin
- Multi-Direction Operation
- AC Motor Technology
- Load Sensing Steering
- 2 Wheel Electric Drive
- Stand up operator

Distributed by

**COMBiLiFT**

Co. Monaghan, Ireland

T: +353 47 80500 F: +353 47 80501

E: info@combilift.com

**www.COMBiLiFT.com**