



COMBiLiFT

Customised Handling Solutions

C5000 XL

Customised Handling Solutions



Timber Box



Wider Cab for increased Operator Comfort



Optional Chainsaw Box

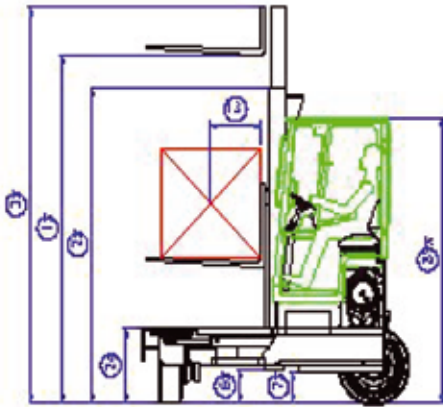


three machines in one
counterbalance forklift > aisle truck > side loader

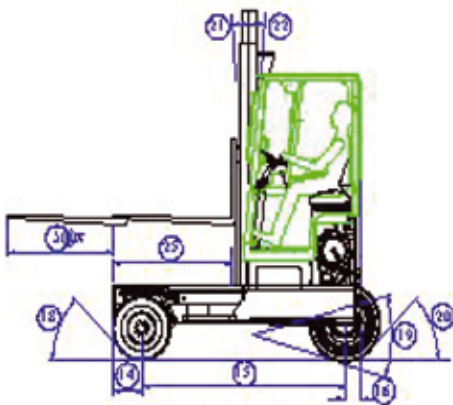
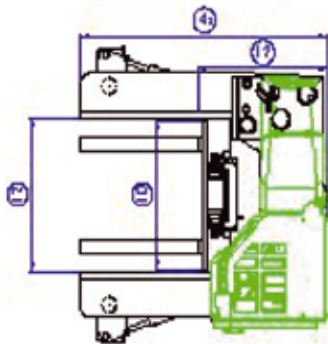


SPECIFICATIONS

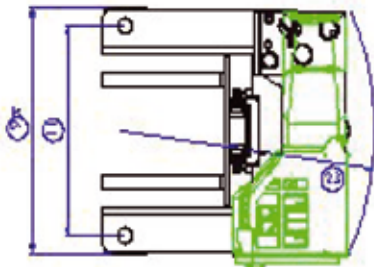
Model C5000 XL



SIDEWAYS MODE



FORWARD MODE



REF	DESCRIPTION	Standard
1a	Max. Lift Height	4040mm
1b	Free Lift Height	0mm
2	Height Mast Closed	2990mm
3	Max. (Mast raised)	5005mm
4	Overall Length	2500mm
5	Mast Travel	1250mm
6	Ground Clearance Under Mast	280mm
7	Ground Clearance to Wheelbase Centre	270mm
8	Height Over Cab or of Overhead Guard	2590mm
9	Width With Standard Door	2235mm
10	Outside Spread of Fork Arms	1350mm
11	Track Front	2005mm
12	Frame Opening	1400mm
13	Load Center Distance	600mm
14	Overhang Front	305mm
15	Wheel Base	2040mm
16	Overhang Back	155mm
17	Length From Face of Fork	1300mm
18	Approach Angle	45°
19	Ramp Angle	29°
20	Departure Angle	45°
21	Forward Tilt	3°
22	Backward Tilt	5°
23	Minimum Outside Radius	2490mm
24	Platform Height	680mm
25	Platform Length	1200mm
A	Capacity	5000Kg
B	Unladen Weight	6800Kg
C	Maximum Ground Speed	15 km/h
D	Gradability	15%
E	V2003 T Kubota Diesel / 3 ltr. GM LPG	44KW / 48KW
F	Electric's	12 Volt
G	Fork Section	50 x 150 x 1200mm
H	23 x 10 - 12 Front Tyre	OD 580mm/Width 240mm
I	28 x 12.5 - 15 Rear Tyre	OD 720mm/Width 295mm
J	Standard Colour	Green and Grey
K	Suspension Seat	KAB Model 116

FEATURES INCLUDE:

- Rubber Mounted Half Open Cabin
- Multi-Direction Operation
- 3 Wheel Hydrostatic Drive
- Load Sensing Steering
- 4 Way lever Positioning of Wheels
- Hydraulic Oil Cooler

Distributed by

Combilift Ltd.,
Co. Monaghan,
Ireland
Tel: +353 47 80500
Fax: +353 47 80501
www.combilift.com

www.COMBiLiFT.COM