

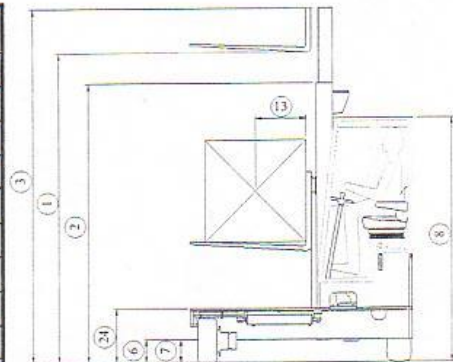
**COMBI-LIFT - MODEL C4800 - SPECIFICATIONS -**

Ref.	MAST SPECIFICATIONS	OPTIONS
1 a	Max. Lift Height	4872mm
1 b	Free Lift Height	0mm
2	Height Mast Closed	3270mm
3	Max. (Mast raised)	5925mm
<b>MACHINE SPECIFICATIONS</b>		
4	Overall Length	2500mm
5	Mast Travel	1400mm
6	Ground Clearance Under Mast	150mm
7	Ground Clearance to Wheelbase Centre	200mm
8	Height Over Cab or of Overhead Guard	2410mm
9	Width	2215mm
10	Outside Spread of Fork Arms	1350mm
11	Track Front	1980mm
12	Frame Opening	1400mm
13	Load Centre Distance	600mm
14	Overhang Front	245mm
15	Wheel Base	2115mm
16	Overhang Back	140mm
17	Length From Face of Fork	1150mm
18	Approach Angle	45°
19	Ramp Angle	29°
20	Departure Angle	45°
21	Forward Tilt	3°
22	Backward Tilt	5°
23	Minimum Outside Radius	2490mm
24	Platform Height	545mm
25	Platform Length	1350mm
A	Capacity	4800Kg
B	Unladen Weight	6800Kg
C	Maximum Ground Speed	14 km/h
D	Gradability	15%
E	Kubota V2003 Turbo Diesel	60HP - 44.7 kW
F	Electric's	12 Volt
G	Fork Section class 4A	125 x 65 x 1350mm
H	200/50 x 10 Front Tyre	OD 450mm/Width 200mm
I	27 x 10-12 Rear Tyre	OD 680mm/Width 255mm
J	Standard Colour	Green and Grey
K	Suspension Seat	KAB Model 211

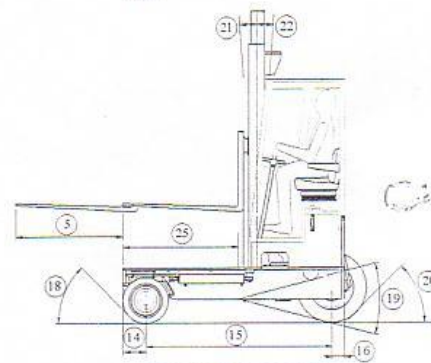
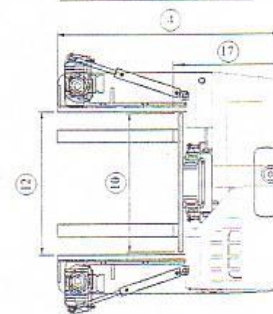
**Features include**

Rubber Mounted Half Open Cabin  
Load Sensing Steering  
Push Button Positioning of Wheels

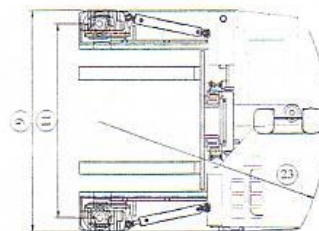
Multi-Direction Operation  
3 Wheel Hydrostatic Drive  
Hydraulic Oil Cooler



**SIDEWARD MODE**



**FRONTAL MODE**



**COMBI-LIFT LTD.**  
Co. Monaghan, Ireland  
Tel. +353 47 80500