

BUCKET 4 IN 1

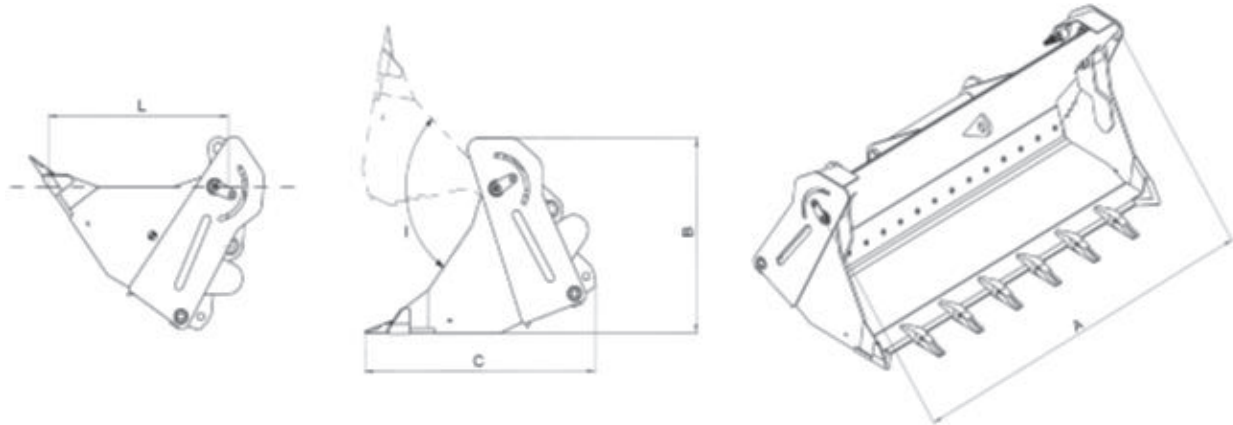
AGRICULTURAL and BUILDING SITES HANDLING Solutions

ADVANTAGES

- Versatile and very robust bucket.
- Time-saving attachment is a real Swiss knife.
- Designed for executing different works:
 - > Loading and unloading operations
 - > Pushing materials
 - > Levelling grounds
 - > Backfilling trenches

TECHNICAL CHARACTERISTICS

- 5 and 7 teeth ensuring an easy and powerful penetration on earth.
- 4 in 1 bucket suitable for handling materials with a density $\leq 2,1$.
- Rear counter blade dedicated to levelling.
- Cheeks fitted with teeth making possible the handling of cylindrical object (logs).
- Reinforced structure (base, blade and sides).
- Teeth are reversible.



	Capacity (L)	A	B	C	I (degree)	L	Teeth	Weight (kg)
CB4x1 700L 1950	700	1950	890	1129	100°	908	5	640
CB4x1 850L 2300	850	2300	890	1129	100°	908	6	735
CB4x1 900L 2450	900	2450	890	1129	100°	908	7	765

COMPATIBILITY*

	CB4x1 700L 1950	CB4x1 850L 2300	CB4x1 900L 2450
Part Number	751402	751401	751465
MLT 625	X		
MLT 634	X	X	X
MLT 735	X	X	X
MLT 840		X	X
MLT 845	X	X	X
MT 625	X		
MT 732	X	X	X
MT 1235		X	X
MT 1440		X	X
MT 1740		X	X

* This Attachment has been approved for the MLT and MT listed above. A load chart Machine/Attachment has been created accordingly.

This brochure describes versions and configuration options for Manitou products which may be fitted with different equipment. The equipment described in this brochure may be standard, optional or not available depending on version. Manitou reserves the right to change the specifications shown and described at any time and without prior warning. The manufacturer is not liable for the specifications given. For more information, contact your Manitou dealer. Non-contractual document.

Product descriptions may differ from actual products. List of specifications is not comprehensive. The logos and visual identity of the company are the property of Manitou and may not be used without authorisation. All rights reserved. The photos and diagrams contained in this brochure are provided for information only.

MANITOU BF SA - Limited company with board of directors - Share capital: 39,547,824 euros - 857 802 508 RCS Nantes

CB4x1_EN_A_0812



www.manitou.com