

Reach truck 1.4 - 2.5 tonne

BT reflex

R & E-series

RRE140CC/ECC

RRE160CC/ECC

RRE180CC/ECC

RRE200CC/ECC

RRE250CC/ECC



TOYOTA

MATERIAL HANDLING

stronger together

Reach truck

| Truck specifications | | | | | RRE140CC/ECC | RRE160CC/ECC | RRE180CC/ECC | RRE200CC/ECC | RRE250CC/ECC | |
|----------------------|-----------------------------------------------|-----------------------------------------------------------------|----------------------------------|----------------|--------------|--------------|--------------|--------------|--------------|-------------|
| Identification | 1.1 | Manufacturer | | | BT | BT | BT | BT | BT | |
| | 1.2 | Model | | | RRE140CC/ECC | RRE160CC/ECC | RRE180CC/ECC | RRE200CC/ECC | RRE250CC/ECC | |
| | 1.3 | Drive | | | Electric | Electric | Electric | Electric | Electric | |
| | 1.4 | Operator type | | | Seated | Seated | Seated | Seated | Seated | |
| | 1.5 | Load capacity/rated load | Q | kg | 1400 | 1600 | 1800 | 2000 | 2500 | |
| | 1.6 | Load centre | c | mm | 600 | 600 | 600 | 600 | 600 | |
| | 1.8 | Load distance, centre of support arm wheel to face of forks | x | mm | 305* | 345* | 401* | 441* | 335* | |
| | 1.9 | Wheelbase | y | mm | 1295 | 1335 | 1475 | 1515 | 1575 | |
| | Weight | 2.1 | Service weight including battery | | kg | 4009 | 4011 | 4437 | 4484 | 4852 |
| 2.3 | | Axle load, mast retracted without load, drive/support arm wheel | | kg | 2278/1731 | 2323/1688 | 2728/1709 | 2791/1693 | 2920/1932 | |
| 2.4 | | Axle load, mast extended with load, drive/support arm wheel | | kg | 867/4543 | 783/4829 | 988/5248 | 942/5543 | 921/6432 | |
| 2.5 | | Axle load, mast retracted with load, drive/support arm wheel | | kg | 1853/3556 | 1900/3711 | 2468/3769 | 2562/3922 | 2516/4836 | |
| Wheels | | 3.1 | Drive/support arm wheel | | mm | Vulkollan | Vulkollan | Vulkollan | Vulkollan | Vulkollan |
| | 3.2 | Wheel size, front | | mm | 350 | 350 | 400 | 400 | 400 | |
| | 3.3 | Wheel size, rear | | mm | 300 | 300* | 350 | 350 | 350 | |
| | 3.5 | Wheels, number front/rear (x=driven wheels) | | mm | 1x/2 | 1x/2 | 1x/2 | 1x/2 | 1x/2 | |
| | 3.7 | Track width, rear | b ₁₁ | mm | 1134 | 1134 | 1134 | 1134 | 1134 | |
| | Dimensions | 4.1 | Tilt of fork, forward/backward | α/β | deg | 4°/-2°** | 4°/-2°** | 4°/-2°** | 4°/-2°** | 4°/-2°** |
| | | 4.2 | Height, mast lowered | h ₁ | mm | 2732* | 2732* | 2732* | 2732* | 2771* |
| 4.3 | | Free lift | h ₂ | mm | 1691* | 1691* | 1691 | 1691 | 1791* | |
| 4.4 | | Lift | h ₃ | mm | 6260* | 6260* | 6260* | 6260* | 6255* | |
| | | Lift height | h ₂₃ | mm | 6300* | 6300* | 6300* | 6300* | 6300* | |
| 4.5 | | Height, mast extended | h ₄ | mm | 6940* | 6940* | 6940* | 6940* | 6881* | |
| 4.7 | | Height of overhead guard (cab) | h ₆ | mm | 2200 | 2200 | 2262 | 2262 | 2262 | |
| 4.8 | | Seat height | h ₇ | mm | 1131 | 1131 | 1193 | 1193 | 1193 | |
| 4.10 | | Height of support arms | h ₈ | mm | 268 | 268 | 330 | 330 | 330 | |
| 4.15 | | Height of lowered forks | h ₁₃ | mm | 40 | 40 | 40 | 40 | 45 | |
| 4.19 | | Overall length | l ₁ | mm | 2497 | 2500 | 2509 | 2509 | 2670 | |
| 4.20 | | Length to face of forks | l ₂ | mm | 1387 | 1390 | 1399 | 1399 | 1565 | |
| 4.21 | | Overall width | b ₁ | mm | 1270 | 1270 | 1270 | 1270 | 1270 | |
| 4.22 | | Fork dimensions | s/e/l | mm | 40/100/1150* | 40/100/1150* | 40/120/1150* | 40/120/1150* | 45/125/1150* | |
| 4.23 | | Fork carriage ISO 2328, class/type A, B | | | II A | II A | II A | II A | II A | |
| 4.25 | | Width over forks | b ₃ | mm | 250-738 | 250-738 | 250-738 | 250-738 | 250-738 | |
| 4.26 | | Distance between support arms | b ₄ | mm | 900* | 900* | 900* | 900* | 900* | |
| 4.28 | | Reach distance | l ₄ | mm | 434* | 474* | 614* | 670* | 571* | |
| 4.31 | | Ground clearance, with load, below mast | m ₁ | mm | 68 | 68 | 68 | 68 | 88 | |
| 4.32 | | Ground clearance, centre of wheelbase ¹⁾ | m ₂ | mm | 74 | 74 | 77 | 77 | 77 | |
| 4.33 | Aisle width for pallets 1000 x 1200 crossways | A _{st} | mm | 2794 | 2803 | 2848 | 2860 | 2996 | | |
| 4.34 | Aisle width for pallets 800 x 1200 lengthways | A _{st} | mm | 2866 | 2870 | 2894 | 2898 | 3053 | | |
| 4.35 | Turning radius | W _a | mm | 1620 | 1660 | 1800 | 1840 | 1900 | | |
| 4.37 | Length across support arms | l ₇ | mm | 1791 | 1831 | 1996 | 2036 | 2096 | | |
| Performance data | 5.1 | Travel speed, with/without load | | km/h | 11/11 | 10/11 | 11/11 | 11/11 | 11/11 | |
| | | Travel speed, High speed version, with/without load | | km/h | 14/14 | 14/14 | 14/14 | 14/14 | 14/14 | |
| | 5.2 | Lift speed, with/without load | | m/s | 0,35/0,70 | 0,35/0,70 | 0,35/0,70 | 0,35/0,70 | 0,35/0,70 | |
| | 5.3 | Lowering speed, with/without load | | m/s | 0,55/0,55 | 0,55/0,55 | 0,55/0,55 | 0,55/0,55 | 0,55/0,55 | |
| | 5.4 | Reach speed, with/without load | | m/s | 0,25/0,25 | 0,25/0,25 | 0,25/0,25 | 0,25/0,25 | 0,25/0,25 | |
| | 5.8 | Max. gradeability, with/without load ²⁾ | | % | 10/15 | 10/15 | 10/15 | 10/15 | 7/12 | |
| 5.10 | Service brake | | | Electric | Electric | Electric | Electric | Electric | | |
| Electric motor | 6.1 | Drive motor rating S2 60 min | | kW | 7,5 | 7,5 | 9,0 | 9,0 | 9,0 | |
| | 6.2 | Lift motor rating S3 15% | | kW | 11 | 11 | 15 | 15 | 15 | |
| | 6.4 | Battery voltage, nominal capacity K ₅ | | V/Ah | 48/620* | 48/620* | 48/620* | 48/620* | 48/775* | |
| | 6.5 | Battery weight | | kg | 940* | 940* | 940* | 940* | 1150* | |
| | 6.6 | Energy consumption acc to VDI cycle ³⁾ | | kWh/h | | | | | | |
| | Other | 8.1 | Type of drive control | | | Variable AC | Variable AC | Variable AC | Variable AC | Variable AC |
| 8.4 | | Sound level at the driver's ear according to EN 12 053 | | dB(A) | 66 | 66 | 66 | 66 | 66 | |

1) 15 mm under studs

2) Measured according to company standard

3) Contact your supplier for information

*) Other alternatives are available

All data are based on table configuration. Other configurations may give other values. Truck performance and dimensions are nominal and subject to tolerances. BT products and specifications are subject to change without notice.

Battery compartment

BT reflex

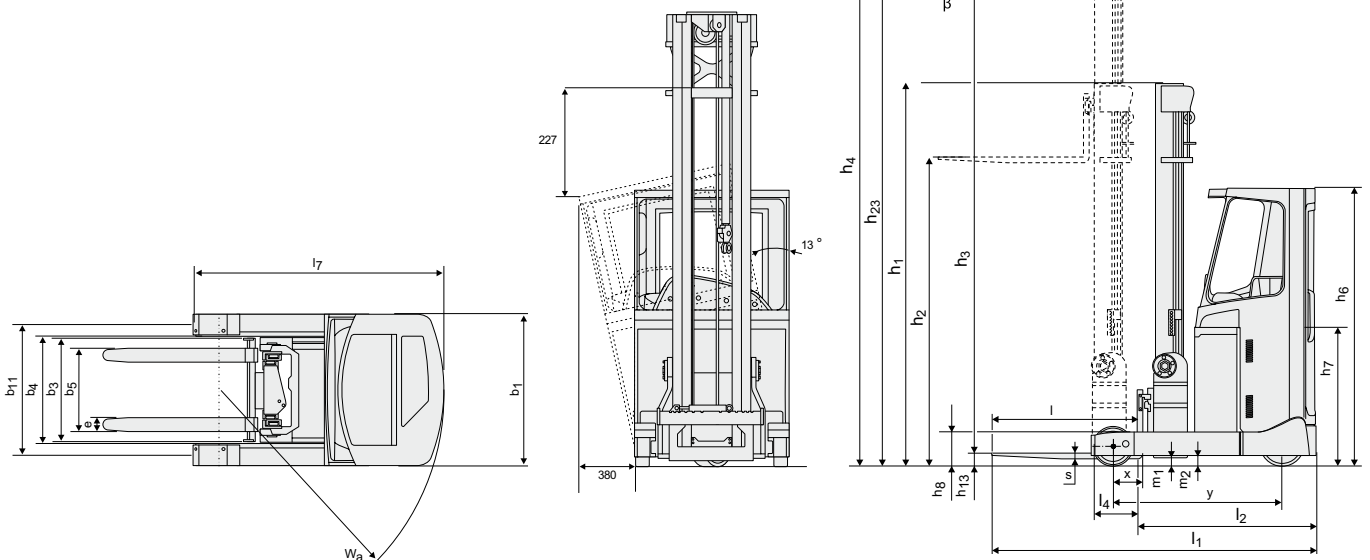
| Dimensions | | | | RRE140CC /ECC | RRE160CC /ECC | RRE180CC /ECC | RRE200CC /ECC | | | RRE250CC /ECC | | | | |
|------------|-------------------------------------------------------------|-------------------------------------------------|----------|------------------|------------------|------------------|------------------|--------------|---------------|------------------|---------------|-----------------|---------------|-----------------|
| Reflex | Depth | | mm | 347 | 347 | 419 | 347 | 419 | 347 | 419 | 491 | 419 | 491 | |
| | 4.20 | Length to face of forks *** | l_2 | mm | 1387 | 1387 | 1459 | 1399 | 1471 | 1399 | 1471 | 1543 | 1565 | 1637 |
| | 4.33 | Aisle width for pallets 1000x1200 crossways *** | A_{st} | mm | 2794 | 2803 | 2859 | 2848 | 2900 | 2860 | 2911 | 2964 | 2996 | 3050 |
| | 4.34 | Aisle width for pallets 800x1200 lengthways *** | A_{st} | mm | 2866 | 2870 | 2936 | 2894 | 2958 | 2898 | 2962 | 3028 | 3053 | 3119 |
| | 6.4 | Battery voltage, nominal capacity K_3 | | V/Ah | 48/620 | 48/620 | 48/775 | 48/620 | 48/775 | 48/620 | 48/775 | 48/930 | 48/775 | 48/930 |
| | 6.5 | Battery weight, min.—max. | | kg | 875- 1030 | 875- 1235* | 875- 1235* | 875- 1030 | 1055- 1235 | 1055- 1235 | 1055- 1235 | 1055- 1440** | 1055- 1440 | 1055- 1440** |
| 1.8 | Load distance, centre of support arm wheel to face of forks | x | mm | 233 | 273 | 201 | 401 | 329 | 441 | 369 | 297 | 335 | 263 | |

* = Lh 10000 and 10500 mm: 1060-1235 kg
 ** = Lh 12000 and 12500 mm: 1250-1440 kg
 *** = Inclusive sideshift

Mast dimensions, mm

| RRE | | | | Triplex Hi-Lo | | | | | | | | | | | | | | | | | |
|----------------|-----------------------|----------|----|---------------|------|------|------|------|------|------|------|------|------|------|------|------|-------|-------|-------|-------|-------|
| | Lift height | h_{23} | mm | 4400 | 4600 | 4800 | 5400 | 5700 | 6300 | 6750 | 7000 | 7150 | 7500 | 8000 | 8500 | 9000 | 9500 | 10000 | 10500 | 10800 | 11000 |
| | Lift | h_3 | mm | 4360 | 4560 | 4760 | 5360 | 5660 | 6260 | 6710 | 6960 | 7110 | 7460 | 7960 | 8460 | 8960 | 9460 | 9960 | 10460 | 10760 | 10960 |
| E140CC/ ECC | Height, mast lowered | h_1 | mm | 2067 | — | 2200 | 2400 | 2500 | 2742 | — | 3074 | 2991 | 3241 | 3408 | 3574 | 3741 | — | — | — | — | — |
| | Free lift | h_2 | mm | 1016 | — | 1149 | 1349 | 1449 | 1691 | — | 2023 | 1940 | 2190 | 2357 | 2523 | 2690 | — | — | — | — | — |
| | Height, mast extended | h_4 | mm | 5050 | — | 5450 | 6050 | 6350 | 6950 | — | 7650 | 7450 | 8150 | 8650 | 9150 | 9650 | — | — | — | — | — |
| 160CC/ ECC | Height, mast lowered | h_1 | mm | 2067 | — | 2200 | 2400 | 2500 | 2742 | 2991 | 3074 | 2991 | 3241 | 3408 | 3574 | 3741 | 3908 | 4300 | 4467 | — | — |
| | Free lift | h_2 | mm | 1016 | — | 1149 | 1349 | 1449 | 1691 | 1940 | 2023 | 1940 | 2190 | 2357 | 2523 | 2690 | 2857 | 3249 | 3416 | — | — |
| | Height, mast extended | h_4 | mm | 5050 | — | 5450 | 6050 | 6350 | 6950 | 7400 | 7650 | 7450 | 8150 | 8650 | 9150 | 9650 | 10150 | 10650 | 11150 | — | — |
| 180CC/ ECC | Height, mast lowered | h_1 | mm | — | 2175 | 2242 | 2442 | 2542 | 2742 | 2991 | 3074 | 2991 | 3241 | 3408 | 3574 | 3741 | 3908 | 4467 | 4800 | — | 4800 |
| | Free lift | h_2 | mm | — | 1124 | 1191 | 1391 | 1491 | 1691 | 1940 | 2023 | 1940 | 2190 | 2357 | 2523 | 2690 | 2857 | 3416 | 3749 | — | 3749 |
| | Height, mast extended | h_4 | mm | — | 5250 | 5450 | 6050 | 6350 | 6950 | 7400 | 7650 | 7450 | 8150 | 8650 | 9150 | 9650 | 10150 | 10650 | 11150 | — | 11650 |
| 200CC/ ECC | Height, mast lowered | h_1 | mm | — | 2175 | 2242 | 2442 | 2542 | 2742 | 2991 | 3074 | 2991 | 3241 | 3408 | 3575 | 3741 | 3908 | 4014 | 4181 | 4281 | — |
| | Free lift | h_2 | mm | — | 1124 | 1191 | 1391 | 1491 | 1691 | 1940 | 2023 | 1940 | 2190 | 2357 | 2523 | 2690 | 2857 | 3025 | 3191 | 3291 | — |
| | Height, mast extended | h_4 | mm | — | 5250 | 5450 | 6050 | 6350 | 6950 | 7400 | 7650 | 7450 | 8150 | 8650 | 9150 | 9650 | 10150 | 10591 | 11091 | 11391 | — |
| 250CC/ ECC | Height, mast lowered | h_1 | mm | — | — | 2281 | 2481 | — | 2781 | — | 3014 | — | — | 3348 | 3514 | 3681 | 3848 | 4014 | 4181 | 4281 | — |
| | Free lift | h_2 | mm | — | — | 1291 | 1491 | — | 1791 | — | 2025 | — | — | 2357 | 2525 | 2691 | 2857 | 3025 | 3191 | 3291 | — |
| | Height, mast extended | h_4 | mm | — | — | 5391 | 5981 | — | 6891 | — | 7591 | — | — | 8591 | 9091 | 9591 | 10091 | 10591 | 11091 | 11391 | — |

| RRE | | | | Triplex Hi-Lo | | |
|---------------|-----------------------|----------|----|---------------|-------|-------|
| | Lift height | h_{23} | mm | 11500 | 12000 | 12500 |
| | Lift | h_3 | mm | 11460 | 11960 | 12460 |
| 200CC/ ECC | Height, mast lowered | h_1 | mm | 4514 | 4681 | 4848 |
| | Free lift | h_2 | mm | 3523 | 3690 | 3857 |
| | Height, mast extended | h_4 | mm | 12091 | 12591 | 13091 |
| 250CC/ ECC | Height, mast lowered | h_1 | mm | 4514 | 4681 | 4848 |
| | Free lift | h_2 | mm | 3523 | 3690 | 3857 |
| | Height, mast extended | h_4 | mm | 12091 | 12591 | 13091 |



Truck features:

- Total view concept
- Car pedal layout
- Automatic parking brake
- TLC, Transitional Lift Control
- 360° steering
- Simultaneous hydraulic control
- Single function levers or multi function control
- Heavy duty drive unit and gear box

For more information contact:

Toyota Material Handling UK

T: 0870 850 1409

E: we.deliver@uk.toyota-industries.eu

W: www.toyota-forklifts.co.uk

TP-Technical Publications — 747502, version 5, 0213



TOYOTA MATERIAL HANDLING, MANAGING THE TOYOTA AND BT MATERIALS HANDLING BRANDS.

TOYOTA

MATERIAL HANDLING

stronger together