

# Pedestrian stacker truck 1.0 tonne



**BT staxio**

*W-series*

SWE100



# Pedestrian stacker

Specification for stacker trucks					SWE100
Identification	1.1	Manufacturer			Toyota
	1.2	Model			SWE100
	1.3	Drive			Electric
	1.4	Operator type			Pedestrian
	1.5	Load capacity/rated load	Q	kg	1000
	1.6	Load centre	c	mm	600
	1.8	Load distance, centre of support arm wheel to face of forks	x	mm	657
	1.9	Wheelbase	y	mm	1190
	Weight	2.1	Service weight including battery		kg
2.2		Axle load, with load, drive/castor/support arm wheel		kg	350/280/1185
2.3		Axle load, without load, drive/castor/support arm wheel		kg	350/230/235
Wheels	3.1	Drive/castor/fork wheel			Friction/Vulkollan/Vulkollan *)
	3.2	Wheel size, front		mm	Ø230x70
	3.3	Wheel size, rear		mm	Ø85x95
	3.4	Additional wheels (dimensions)		mm	Ø125x50
	3.5	Wheels, number front/rear (x=driven wheels)			1x+2/2
	3.6	Track width, front	b <sub>10</sub>	mm	550
	3.7	Track width, rear	b <sub>11</sub>	mm	390
Dimensions	4.2	Height, mast lowered	h <sub>1</sub>	mm	2151 *)
	4.3	Free lift	h <sub>2</sub>	mm	166 *)
	4.4	Lift	h <sub>3</sub>	mm	3210 *)
		Lift height	h <sub>23</sub>	mm	3300 *)
	4.5	Height, mast extended	h <sub>4</sub>	mm	3720 *)
	4.8	Stand height (optional platform)	h <sub>7</sub>	mm	150
	4.9	Height of tiller in drive position, min./max.	h <sub>14</sub>	mm	865/1235
	4.15	Height, fork lowered	h <sub>13</sub>	mm	90
	4.19	Overall length	l <sub>1</sub>	mm	1831
	4.20	Length to face of forks	l <sub>2</sub>	mm	683
	4.21	Overall width	b <sub>1</sub>	mm	770
	4.22	Fork dimensions	s/e/l	mm	60/180/1150 *)
	4.24	Fork-carriage width	b <sub>3</sub>	mm	674
	4.25	Width over forks	b <sub>5</sub>	mm	570 *)
	4.31	Ground clearance, with load, below mast	m <sub>1</sub>	mm	27
4.32	Ground clearance, centre of wheelbase	m <sub>2</sub>	mm	27	
4.33	Aisle width for pallets 1000x1200 crossways	A <sub>st</sub>	mm	2231	
4.34	Aisle width for pallets 800x1200 lengthways	A <sub>st</sub>	mm	2214	
4.35	Turning radius	W <sub>a</sub>	mm	1340	
Performance data	5.1	Travel speed, with/without load		km/h	6/6
	5.2	Lift speed, with/without load		m/s	0.14/0.28
	5.3	Lowering speed, with/without load		m/s	0.38/0.38
	5.8	Max. gradeability, with/without load <sup>2)</sup>		%	8/12 <sup>1)</sup>
	5.10	Service brake			Electromagnetic
Electric motor	6.1	Drive motor rating S2 60 min		kW	1.0
	6.2	Lift motor rating at S3 15%		kW	2.2 <sup>2)</sup>
	6.4	Battery voltage/nominal capacity K <sub>5</sub>		V/Ah	24/150 *)
	6.5	Battery weight		kg	163 *)
	Other	8.1	Type of drive control		

<sup>1)</sup> Measured according to company standard

<sup>2)</sup> S3 6%

\*) Further alternatives are available and will produce other values.

Data is based on standard configurations: Small battery compartment, h<sub>23</sub> = 3300 mm Duplex Tele mast.

All data are based on table configuration. Other configurations may give other values.

Truck performance and dimensions are nominal and subject to tolerances.

Toyota Material Handling Manufacturing Sweden AB products and specifications are subject to change without notice.

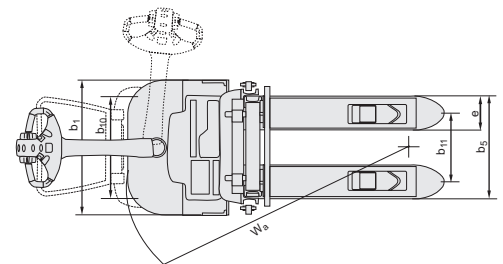
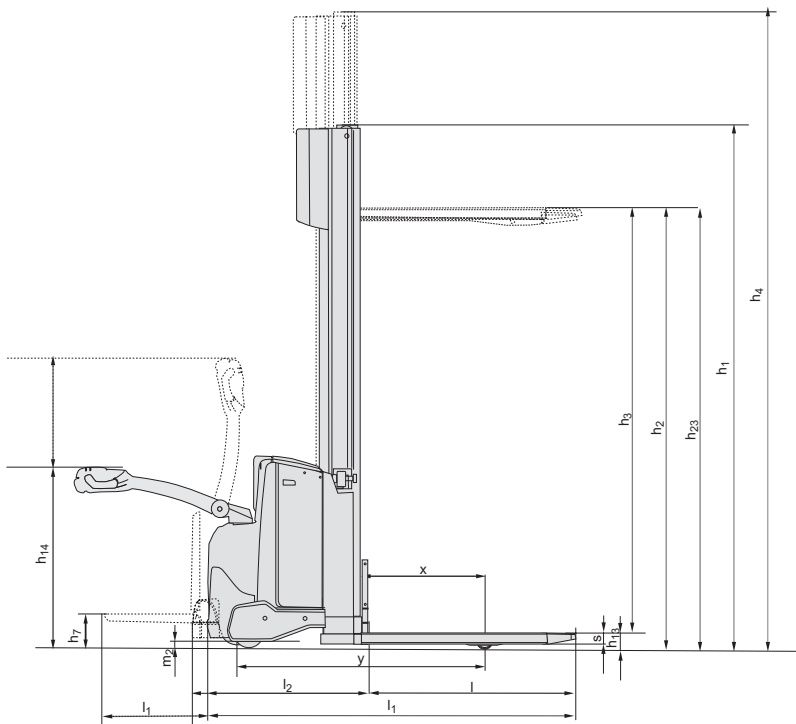
# Battery dependent dimensions

# BT staxio

Dimensions		Battery Compartment		SWE100		
				Small	Medium	Large
1.9	Wheelbase	y	mm	1190	1247	1297
4.19	Overall length	l <sub>1</sub>	mm	1831	1888	1938
	...without platform		mm	1916/2306	1973/2363	2023/2413
4.20	Length to face of forks	l <sub>2</sub>	mm	683	740	790
	without platform		mm	768/1158	825/1215	875/1265
4.33	Aisle width for pallets 1000x1200 crossways	A <sub>st</sub>	mm	2231	2288	2338
	without platform		mm	2316/2716	2373/2773	2423/2823
4.34	Aisle width for pallets 800x1200 lengthways	A <sub>st</sub>	mm	2214	2271	2321
	without platform		mm	2299/2699	2356/2756	2406/2806
4.35	Turning radius	W <sub>a</sub>	mm	1340	1397	1447
	without platform		mm	1425/1825	1482/1882	1532/1932
6.4	Battery voltage, nominal capacity K <sub>5</sub>		V/Ah	24/150	24/225	24/300
6.5	Battery weight, min.—max.		kg	120—165	189—250	230—280

# Mast dimensions

SWE100			Simplex		Duplex Tele			Duplex Tele Panoramic View		
h <sub>23</sub>	Lift height (h <sub>13</sub> +h <sub>3</sub> )	mm	1400	1700	2700	2900	3300	2700	2900	3300
h <sub>3</sub>	Lift	mm	1310	1610	2610	2810	3210	2610	2810	3210
h <sub>1</sub>	Height, mast lowered	mm	1825	2125	1851	1951	2151	1835	1935	2135
h <sub>2</sub>	Free lift, ground to top of forks	mm	1400	1700	166	166	166	166	166	166
h <sub>4</sub>	Height, mast extended	mm	1825	2125	3125	3325	3725	3120	3320	3720



---

## Truck features:

- BT Powerdrive System
- Fingertip controls
- Electronic braking system
- Electronic speed control
- Operator safety
- Storage compartments
- Automatic switch-off
- Click-2-creep
- Programmable performance
- Easy access for maintenance
- Built in charger (option)
- Flip-up operator platform (option)
- Toyota I\_site: truck fleet management system (option)
- Hydraulic oil for low temperatures (option)

For more information contact:

Toyota Material Handling UK

T: 0370 850 1409

E: [We.deliver@uk.toyota-industries.eu](mailto:We.deliver@uk.toyota-industries.eu)

W: [www.toyota-forklifts.co.uk](http://www.toyota-forklifts.co.uk)