

Pedestrian stacker truck 1.25 - 2.0 tonne



BT staxio

P-series

SPE125L

SPE160L

SPE200L



Pedestrian stacker

Specification for stacker trucks					SPE125L	SPE160L	SPE200L
Identification	1.1	Manufacturer			BT	BT	BT
	1.2	Model			SPE125L	SPE160L	SPE200L
	1.3	Drive			Electric	Electric	Electric
	1.4	Operator type			Pedestrian	Pedestrian	Pedestrian
	1.5	Load capacity/rated load	Q	kg	1250	1600	2000
		Support arm capacity	Q	kg	1600	2000	2000
	1.6	Load centre	c	mm	600	600	600
	1.8	Load distance, back of fork to bogie wheel centre	x	mm	772	725	720
	1.9	Wheelbase	y	mm	1436	1517	1421
Weight	2.1	Service weight without battery		kg	980	1060	1040
	2.2	Axle load, with load, drive/castor/support arm wheel		kg	530/650/1440	620/630/1830	595/685/2220
	2.3	Axle load, without load, drive/castor/support arm wheel		kg	390/620/360	390/620/360	400/690/410
Wheels	3.1	Drive/castor/fork wheel			Powerfriction/Vulkollan/Vulkollan		
	3.2	Wheel size, front		mm	Ø215	Ø215	Ø215
	3.3	Wheel size, rear		mm	Ø125x50	Ø125x50	Ø125x50
	3.4	Additional wheels (dimensions)		mm	Ø85x75	Ø85x75	Ø85x75
	3.5	Wheels, number front/rear (x=driven wheels)			1x+2/2	1x+2/2	1x+2/4
Dimensions	4.2	Height, mast lowered	h_1	mm	1950	2405	1745
	4.3	Free lift	h_2	mm	1475	1798	1140
	4.4	Lift	h_3	mm	4060	5310	2060
		Lift height	h_{23}	mm	4150	5400	2150
	4.5	Height, mast extended	h_4	mm	4675	6055	2800
	4.6	Initial lift	h_5	mm	113	113	113
	4.8	Stand height (optional platform)	h_7	mm	150	150	150
	4.9	Height of tiller in drive position, min./max.	h_{14}	mm	1435	1435	1435
	4.15	Height, fork lowered	h_{13}	mm	90	90	90
	4.19	Overall length	l_1	mm	2062	2190	2104
	4.20	Length to face of forks	l_2	mm	912	1040	954
	4.21	Overall width	b_1	mm	790	790	850
	4.22	Fork dimensions	s/e/l	mm	65/180/1150	70/180/1150	70/180/1150
	4.25	Width over forks	b_5	mm	570	570	570
	4.31	Ground clearance, with load, below mast	m_1	mm	50	50	24
4.32	Ground clearance, centre of wheelbase	m_2	mm	15	15	15	
4.33	Aisle width for pallets 1000x1200 crossways	A_{st}	mm	2547	2646	2558	
4.34	Aisle width for pallets 800 x 1200 lengthways	A_{st}	mm	2491	2606	2520	
4.35	Turning radius	W_a	mm	1706	1786	1696	
Performance data	5.1	Travel speed, with/without load		km/h	7,0/8,0	7,0/8,0	6,0/6,0
	5.2	Lift speed, with/without load		m/s	0,17/0,33	0,12/0,24	0,12/0,25
	5.3	Lowering speed, with/without load		m/s	0,51/0,49	0,35/0,34	0,39/0,36
	5.8	Max. gradeability, with/without load ¹⁾		%	10/12	10/12	10/12
	5.10	Service brake			Electromagnetic	Electromagnetic	Electromagnetic
Electric motor	6.1	Drive motor rating S2 60 min		kW	1,7	1,7	1,7
	6.2	Lift motor rating at S3 11%		kW	3,0	3,0	3,0
	6.4	Battery voltage/nominal capacity K_s		V/Ah	24/255	24/425	24/255
	6.5	Battery weight min./max.		kg	244	362	244
	Others	8.1	Type of drive control			BT Powerdrive	BT Powerdrive

¹⁾ Measured according to company standard

All data are based on table configuration. Other configurations may give other values.

Truck performance and dimensions are nominal and subject to tolerances.

BT products and specifications are subject to change without notice.

Battery dependent dimensions

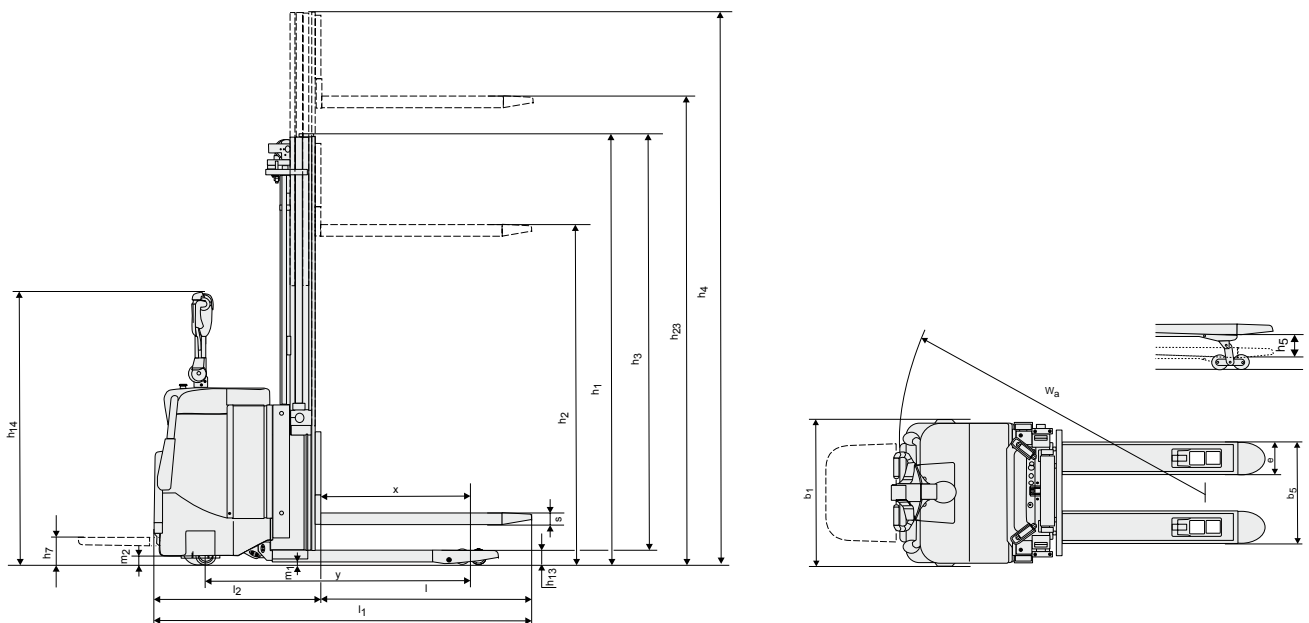
Model				SPE125L		SPE160L		SPE200L	
Battery compartment				Small	Large	Small	Large	Small	Large
1.9	Wheelbase	y	mm	1436	1534	1419	1517	1421	1519
4.19	Overall length	l_1	mm	2031	2129	2061	2159	2073	2171
	without platform			2062/2479	2160/2577	2092/2509	2190/2607	2104/2521	2202/2619
4.20	Length to face of forks	l_2	mm	881	979	911	1009	923	1021
	without platform			912/1329	1010/1427	942/1359	1040/1457	954/1371	1052/1469
4.33	Aisle width for pallets 1000x1200 lengthways	A_{st}	mm	2522	2619	2525	2621	2533	2630
	without platform			2547/2959	2644/3057	2549/2962	2646/3059	2558/2971	2655/3068
4.34	Aisle width for pallets 800x1200 lengthways	A_{st}	mm	2466	2563	2485	2581	2495	2592
	without platform			2491/2903	2588/3001	2509/2922	2606/3019	2520/2933	2617/3030
4.35	Turning radius	W_a	mm	1681	1778	1665	1761	1671	1768
	without platform			1706/2118	1803/2216	1689/2102	1786/2199	1696/2109	1793/2206
6.4	Battery voltage, nominal capacity K_5		V/Ah	24/180-440	24/180-440	24/180-440	24/180-440	24/180-440	24/180-440
6.5	Battery weight, min.—max.		kg	200-250	300-370	200-250	300-370	200-250	300-370

Mast dimensions

SPE125L				Duplex Tele			Duplex HiLo				Triplex HiLo						
h_{23}	Lift height ($h_{13}+h_3$)	mm		2350	2800	3350	2350	2900	3350	3750	4150	3350	3750	4150	4500	4800	5400
h_3	Lift	mm		2260	2710	3260	2260	2810	3260	3660	4060	3260	3660	4060	4410	4710	5310
h_1	Height, mast lowered	mm		1710	1935	2210	1710	1985	2210	2420	2620	1680	1815	1950	2065	2165	2365
h_2	Free lift, ground to top of forks	mm		—	—	—	1240	1515	1740	1940	2140	1205	1340	1475	1590	1690	1890
h_4	Height, mast extended	mm		2870	3320	3870	2870	3420	3870	4280	4680	3875	4275	4675	5025	5325	5925

SPE160L				Duplex Tele					Duplex HiLo				Triplex HiLo						
h_{23}	Lift height ($h_{13}+h_3$)	mm		2350	2900	3350	3750	4150	2350	2900	3350	3750	4150	3350	3750	4150	4400	4800	5400
h_3	Lift	mm		2260	2810	3260	3660	4060	2260	2810	3260	3660	4060	3260	3660	4060	4310	4710	5310
h_1	Height, mast lowered	mm		1745	2020	2245	2445	2645	1745	2020	2245	2445	2645	1740	1875	2010	2075	2205	2405
h_2	Free lift, ground to top of forks	mm		—	—	—	—	—	1240	1515	1740	1940	2140	1114	1248	1382	1465	1598	1798
h_4	Height, mast extended	mm		2900	3450	3900	4300	4700	2900	3450	3900	4300	4700	4005	4405	4805	5055	5455	6055

SPE200L				Duplex Tele					Duplex HiLo				
h_{23}	Lift height ($h_{13}+h_3$)	mm		2150	2700	3150	3550	3950	2150	2700	3150	3550	3950
h_3	Lift	mm		2060	2610	3060	3460	3860	2060	2610	3060	3460	3860
h_1	Height, mast lowered	mm		1745	2020	2245	2445	2645	1745	2020	2245	2445	2645
h_2	Free lift, ground to top of forks	mm		—	—	—	—	—	1140	1415	1640	1840	2040
h_4	Height, mast extended	mm		2800	3350	3800	4200	4600	2800	3350	3800	4200	4600



Truck features:

- BT Powerdrive System
- Fingertip controls
- Electronic braking system
- Electronic speed control
- Operator safety
- Storage compartments
- Automatic switch-off
- Programmable performance
- Easy access for maintenance
- Sensilift
- Flip-up operator platform (option)
- Toyota I_site: truck fleet management system (option)
- Hydraulic oil for low temperatures (option)

