

# Pedestrian stacker truck 1.25 - 2.0 tonne

## BT staxio

*P-series*

SPE125

SPE160

SPE200



# Pedestrian stacker

| Specification for stacker trucks |   |   |                             |      | SPE125                             | SPE160          | SPE200          |
|----------------------------------|---|---|-----------------------------|------|------------------------------------|-----------------|-----------------|
| Identification                   | 1.1   | Manufacturer  |                             |      | BT                                 | BT              | BT              |
|                                  | 1.2   | Model   |                             |      | SPE125                             | SPE160          | SPE200          |
|                                  | 1.3   | Drive   |                             |      | Electric                           | Electric        | Electric        |
|                                  | 1.4   | Operator type   |                             |      | Pedestrian                         | Pedestrian      | Pedestrian      |
|                                  | 1.5   | Load capacity/rated load                                | Q                           | kg   | 1250                               | 1600            | 2000            |
|                                  | 1.6   | Load centre   | c                           | mm   | 600                                | 600             | 600             |
|                                  | 1.8   | Load distance, back of fork to bogie wheel centre       | x                           | mm   | 830                                | 783             | 781             |
|                                  | 1.9   | Wheelbase   | y                           | mm   | 1445                               | 1544            | 1440            |
|                                  | Weight  | 2.1   | Service weight with battery |      | kg                                 | 1330            | 1440            |
| 2.2                              |   | Axle load, with load, drive/castor/support arm wheel    |                             | kg   | 530/630/1420                       | 620/610/1810    | 595/665/2220    |
| 2.3                              |   | Axle load, without load, drive/castor/support arm wheel |                             | kg   | 390/600/340                        | 390/640/410     | 400/670/410     |
| Wheels                           | 3.1   | Drive/castor/fork wheel                                 |                             |      | Powerfriction/Vulkokllan/Vulkollan |                 |                 |
|                                  | 3.2   | Wheel size, front                                       |                             | mm   | Ø215                               | Ø215            | Ø215            |
|                                  | 3.3   | Wheel size, rear  |                             | mm   | Ø125x50                            | Ø125x50         | Ø125x50         |
|                                  | 3.4   | Additional wheels (dimensions)                          |                             | mm   | Ø85x75                             | Ø85x75          | Ø85x75          |
|                                  | 3.5   | Wheels, number front/rear (x=driven wheels)             |                             |      | 1x+2/2                             | 1x+2/2          | 1x+2/2          |
| Dimensions                       | 4.2   | Height, mast lowered                                    | $h_1$                       | mm   | 1950                               | 2405            | 1745            |
|                                  | 4.3   | Free lift   | $h_2$                       | mm   | 1475                               | 1798            | 1140            |
|                                  | 4.4   | Lift  | $h_3$                       | mm   | 4060                               | 5310            | 2060            |
|                                  |   | Lift height   | $h_{23}$                    | mm   | 4150                               | 5400            | 2150            |
|                                  | 4.5   | Height, mast extended                                   | $h_4$                       | mm   | 4675                               | 6055            | 2800            |
|                                  | 4.8   | Stand height (optional platform)                        | $h_7$                       | mm   | 150                                | 150             | 150             |
|                                  | 4.9   | Height of tiller in drive position, min./max.           | $h_{14}$                    | mm   | 1435                               | 1435            | 1435            |
|                                  | 4.15  | Height, fork lowered                                    | $h_{13}$                    | mm   | 90                                 | 90              | 90              |
|                                  | 4.19  | Overall length  | $l_1$                       | mm   | 2013                               | 2158            | 2063            |
|                                  | 4.20  | Length to face of forks                                 | $l_2$                       | mm   | 863                                | 1008            | 913             |
|                                  | 4.21  | Overall width   | $b_1$                       | mm   | 790                                | 790             | 850             |
|                                  | 4.22  | Fork dimensions   | s/e/l                       | mm   | 65/180/1150                        | 70/180/1150     | 70/180/1150     |
|                                  | 4.25  | Width over forks  | $b_5$                       | mm   | 570                                | 570             | 570             |
|                                  | 4.31  | Ground clearance, with load, below mast                 | $m_1$                       | mm   | 24                                 | 24              | 24              |
|                                  | 4.32  | Ground clearance, centre of wheelbase                   | $m_2$                       | mm   | 20                                 | 20              | 20              |
| 4.33                             | Aisle width for pallets 1000x1200 crossways   | $A_{st}$  | mm                          | 2538 | 2649                               | 2554            |                 |
| 4.34                             | Aisle width for pallets 800 x 1200 lengthways | $A_{st}$  | mm                          | 2459 | 2588                               | 2495            |                 |
| 4.35                             | Turning radius                                | $W_a$   | mm                          | 1715 | 1811                               | 1716            |                 |
| Performance data                 | 5.1   | Travel speed, with/without load                         |                             | km/h | 7,0/8,0                            | 7,0/8,0         | 6,0/6,0         |
|                                  | 5.2   | Lift speed, with/without load                           |                             | m/s  | 0,17/0,33                          | 0,12/0,24       | 0,12/0,25       |
|                                  | 5.3   | Lowering speed, with/without load                       |                             | m/s  | 0,51/0,49                          | 0,35/0,34       | 0,39/0,36       |
|                                  | 5.8   | Max. gradeability, with/without load <sup>1)</sup>      |                             | %    | 10/12                              | 10/12           | 10/12           |
|                                  | 5.10  | Service brake   |                             |      | Electromagnetic                    | Electromagnetic | Electromagnetic |
| Electric motor                   | 6.1   | Drive motor rating S2 60 min                            |                             | kW   | 1,7                                | 1,7             | 1,7             |
|                                  | 6.2   | Lift motor rating at S3 11%                             |                             | kW   | 3,0                                | 3,0             | 3,0             |
|                                  | 6.4   | Battery voltage/nominal capacity $K_5$                  |                             | V/Ah | 24/255                             | 24/425          | 24/255-425      |
|                                  | 6.5   | Battery weight min./max.                                |                             | kg   | 244                                | 362             | 200-250/300-370 |
|                                  | Others  | 8.1   | Type of drive control       |      |                                    | BT Powerdrive   | BT Powerdrive   |

<sup>1)</sup> Measured according to company standard

All data are based on table configuration. Other configurations may give other values.

Truck performance and dimensions are nominal and subject to tolerances.

BT products and specifications are subject to change without notice.

# Battery dependent dimensions

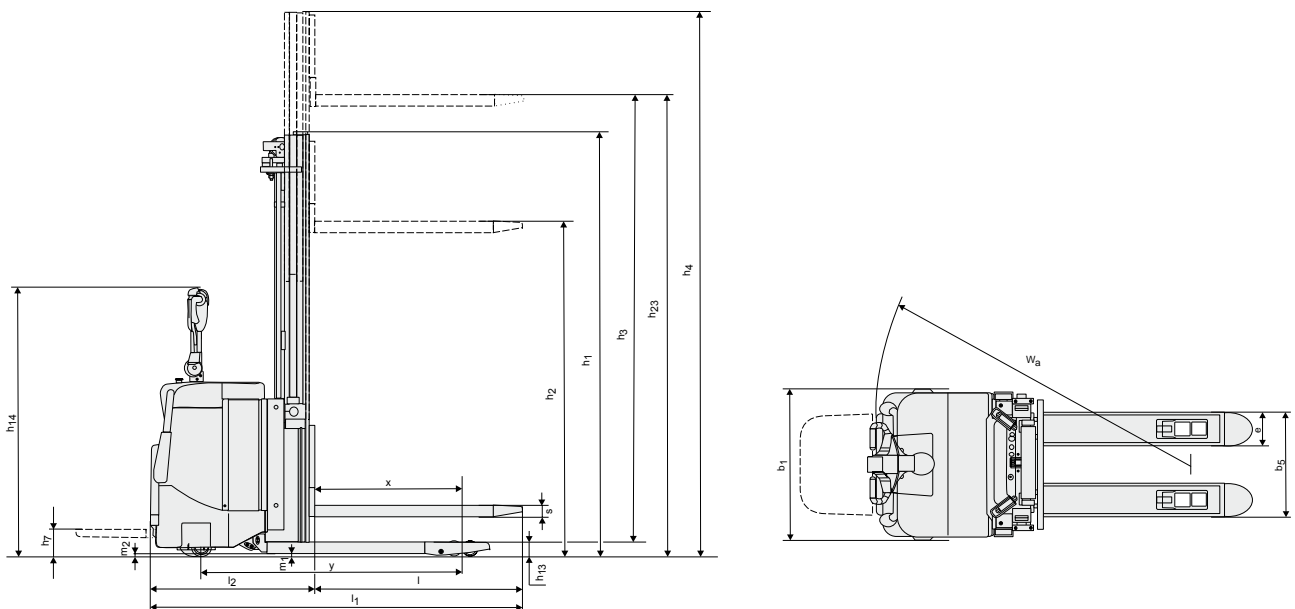
| Model               |  |                 |      | SPE125     |            | SPE160     |            | SPE200     |            |
|---------------------|--|-----------------|------|------------|------------|------------|------------|------------|------------|
| Battery compartment |  |                 |      | Small      | Large      | Small      | Large      | Small      | Large      |
| 1.9                 | Wheelbase  | y               | mm   | 1445       | 1544       | 1445       | 1544       | 1440       | 1538       |
| 4.19                | Overall length                                   | l <sub>1</sub>  | mm   | 1982       | 2080       | 2029       | 2127       | 2032       | 2130       |
|                     | without platform                                 |                 |      | 2013/2430  | 2111/2528  | 2060/2477  | 2158/2575  | 2063/2480  | 2161/2578  |
| 4.20                | Length to face of forks                          | l <sub>2</sub>  | mm   | 832        | 930        | 879        | 977        | 882        | 980        |
|                     | without platform                                 |                 |      | 863/1280   | 961/1378   | 910/1327   | 1008/1425  | 913/1330   | 1011/1428  |
| 4.33                | Aisle width for pallets 1000x1200 lengthways     | A <sub>st</sub> | mm   | 2513       | 2610       | 2528       | 2625       | 2529       | 2626       |
|                     | without platform                                 |                 |      | 2538/2950  | 2634/3048  | 2553/2965  | 2649/3063  | 2554/2966  | 2650/3064  |
| 4.34                | Aisle width for pallets 800x1200 lengthways      | A <sub>st</sub> | mm   | 2434       | 2531       | 2467       | 2564       | 2470       | 2567       |
|                     | without platform                                 |                 |      | 2459/2871  | 2555/2969  | 2492/2904  | 2588/3002  | 2495/2907  | 2591/3005  |
| 4.35                | Turning radius                                   | W <sub>a</sub>  | mm   | 1690       | 1787       | 1690       | 1787       | 1691       | 1788       |
|                     | without platform                                 |                 |      | 1715/2127  | 1811/2225  | 1715/2127  | 1811/2225  | 1716/2128  | 1812/2226  |
| 6.4                 | Battery voltage, nominal capacity K <sub>s</sub> |                 | V/Ah | 24/180-440 | 24/180-440 | 24/180-440 | 24/180-440 | 24/180-440 | 24/180-440 |
| 6.5                 | Battery weight, min.—max.                        |                 | kg   | 200-250    | 300-370    | 200-250    | 300-370    | 200-250    | 300-370    |

# Mast dimensions

| SPE125          |  |    |  | Duplex Tele |      |      | Duplex HiLo |      |      |      |      | Triplex HiLo |      |      |      |      |      |
|-----------------|--|----|--|-------------|------|------|-------------|------|------|------|------|--------------|------|------|------|------|------|
| h <sub>23</sub> | Lift height (h <sub>13</sub> +h <sub>3</sub> ) | mm |  | 2350        | 2800 | 3350 | 2350        | 2900 | 3350 | 3750 | 4150 | 3350         | 3750 | 4150 | 4500 | 4800 | 5400 |
| h <sub>3</sub>  | Lift   | mm |  | 2260        | 2710 | 3260 | 2260        | 2810 | 3260 | 3660 | 4060 | 3260         | 3660 | 4060 | 4410 | 4710 | 5310 |
| h <sub>1</sub>  | Height, mast lowered                           | mm |  | 1710        | 1935 | 2210 | 1710        | 1985 | 2210 | 2420 | 2620 | 1680         | 1815 | 1950 | 2065 | 2165 | 2365 |
| h <sub>2</sub>  | Free lift, ground to top of forks              | mm |  | —           | —    | —    | 1240        | 1515 | 1740 | 1940 | 2140 | 1205         | 1340 | 1475 | 1590 | 1690 | 1890 |
| h <sub>4</sub>  | Height, mast extended                          | mm |  | 2870        | 3320 | 3870 | 2870        | 3420 | 3870 | 4280 | 4680 | 3875         | 4275 | 4675 | 5025 | 5325 | 5925 |

| SPE160          |  |    |  | Duplex Tele |      |      |      |      | Duplex HiLo |      |      |      |      | Triplex HiLo |      |      |      |      |      |
|-----------------|--|----|--|-------------|------|------|------|------|-------------|------|------|------|------|--------------|------|------|------|------|------|
| h <sub>23</sub> | Lift height (h <sub>13</sub> +h <sub>3</sub> ) | mm |  | 2350        | 2900 | 3350 | 3750 | 4150 | 2350        | 2900 | 3350 | 3750 | 4150 | 3350         | 3750 | 4150 | 4400 | 4800 | 5400 |
| h <sub>3</sub>  | Lift   | mm |  | 2260        | 2810 | 3260 | 3660 | 4060 | 2260        | 2810 | 3260 | 3660 | 4060 | 3260         | 3660 | 4060 | 4310 | 4710 | 5310 |
| h <sub>1</sub>  | Height, mast lowered                           | mm |  | 1745        | 2020 | 2245 | 2445 | 2645 | 1745        | 2020 | 2245 | 2445 | 2645 | 1740         | 1875 | 2010 | 2075 | 2205 | 2405 |
| h <sub>2</sub>  | Free lift, ground to top of forks              | mm |  | —           | —    | —    | —    | —    | 1240        | 1515 | 1740 | 1940 | 2140 | 1114         | 1248 | 1382 | 1465 | 1598 | 1798 |
| h <sub>4</sub>  | Height, mast extended                          | mm |  | 2900        | 3450 | 3900 | 4300 | 4700 | 2900        | 3450 | 3900 | 4300 | 4700 | 4005         | 4405 | 4805 | 5055 | 5455 | 6055 |

| SPE200          |  |    |  | Duplex Tele |      |      |      |      | Duplex HiLo |      |      |      |      |
|-----------------|--|----|--|-------------|------|------|------|------|-------------|------|------|------|------|
| h <sub>23</sub> | Lift height (h <sub>13</sub> +h <sub>3</sub> ) | mm |  | 2150        | 2700 | 3150 | 3550 | 3950 | 2150        | 2700 | 3150 | 3550 | 3950 |
| h <sub>3</sub>  | Lift   | mm |  | 2060        | 2610 | 3060 | 3460 | 3860 | 2060        | 2610 | 3060 | 3460 | 3860 |
| h <sub>1</sub>  | Height, mast lowered                           | mm |  | 1745        | 2020 | 2245 | 2445 | 2645 | 1745        | 2020 | 2245 | 2445 | 2645 |
| h <sub>2</sub>  | Free lift, ground to top of forks              | mm |  | —           | —    | —    | —    | —    | 1140        | 1415 | 1640 | 1840 | 2040 |
| h <sub>4</sub>  | Height, mast extended                          | mm |  | 2800        | 3350 | 3800 | 4200 | 4600 | 2800        | 3350 | 3800 | 4200 | 4600 |



---

## Truck features:

- BT Powerdrive System
- Fingertip controls
- Electronic braking system
- Electronic speed control
- Operator safety
- Storage compartments
- Automatic switch-off
- Programmable performance
- Easy access for maintenance
- Sensilift
- Flip-up operator platform (option)
- Toyota I\_site: truck fleet management system (option)
- Hydraulic oil for low temperatures (option)

