

Pedestrian stacker truck 1.35 ton} ^

BT staxio

P-series

SPE135S



DYXYghf]Ub`ghUW_Yf ghfUXX`Y`j Yfg]cb

Specification for stacker trucks					SPE135S
Identification	1.1	Manufacturer			BT
	1.2	Model			SPE135S
	1.3	Drive			Electric
	1.4	Operator type			Pedestrian/
	1.5	Load capacity/rated load	Q	kg	1350
	1.6	Load centre	c	mm	600
	1.8	Load distance, centre of support arm wheel to face of forks	x	mm	697 ¹⁾
	1.9	Wheelbase	y	mm	1360
Weight	2.1	Service weight		kg	1390
	2.2	Axle load, with load, drive/support arm wheel		kg	480/500/1760
	2.3	Axle load, without load, drive/support arm wheel		kg	350/632/408
Wheels	3.1	Drive/support arm wheel			Powerfriction/Vulkollan ²⁾
	3.2	Wheel size, front		mm	Ø 215x70
	3.3	Wheel size, rear		mm	Ø 125x50
	3.5	Wheels, number front/rear (x=driven wheels)			1x+2/2
	3.7	Track width, rear	b ₁₁	mm	1020
Dimensions	4.2	Height, mast lowered	h ₁	mm	1680
	4.3	Free lift	h ₂	mm	1160
	4.4	Lift	h ₃	mm	3290
		Lift height	h ₂₃	mm	3350
	4.5	Height, mast extended	h ₄	mm	3875
	4.8	Stand height (optional platform)	h ₇	mm	150
	4.9	Height of tiller arm in neutral position	h ₁₄	mm	1435
	4.10	Height of support arm	h ₁₀	mm	100
	4.15	Height, fork lowered	h ₁₃	mm	60
	4.19	Overall length	l ₁	mm	2040
	4.20	Length to face of forks	l ₂	mm	890
	4.21	Overall width	b ₁	mm	1560 ²⁾
	4.22	Fork dimensions	s/e/l	mm	40/100/1150
	4.24	Fork-carriage width	b ₃	mm	840
	4.25	Width over forks	b ₅	mm	260-900
	4.26	Distance between support arms	b ₄	mm	900 ²⁾
	4.31	Ground clearance, with load, below mast	m ₁	mm	32
4.32	Ground clearance, centre of wheelbase	m ₂	mm	40	
4.33	Aisle width for pallets 1000x1200 crossways	A _{st}	mm	2449	
4.34	Aisle width for pallets 800x1200 lengthways	A _{st}	mm	2362	
4.35	Turning radius	W _a	mm	1603	
Performance data	5.1	Travel speed, with/without load		km/h	8,0/6,8 ³⁾
	5.2	Lift speed, with/without load		m/s	0,29/0,19
	5.3	Lowering speed, with/without load		m/s	0,40/0,55
	5.8	Max. gradeability, with/without load		%	12/10 ⁴⁾
	5.10	Service brake			Electromagnetic
Electric motor	6.1	Drive motor rating S2 60 min		kW	1,7
	6.2	Lift motor rating at S3 20%		kW	3,0
	6.4	Battery voltage/nominal capacity K _s		V/Ah	24/180-440
	6.5	Battery weight		kg	200-370
	Others	8.1	Type of drive control		

¹⁾ Duplex mast +20 mm

²⁾ Further alternatives are available and will produce other values

³⁾ Version without platform = 6,0/6,0 km/h

⁴⁾ Measured according to company standard

Data is based on small size battery compartment and Triplex mast.

Large battery compartment = +98 mm and +30 kg.

All data are based on table configuration. Other configurations may give other values.

Truck performance and dimensions are nominal and subject to tolerances.

Specifications are subject to change without notice.

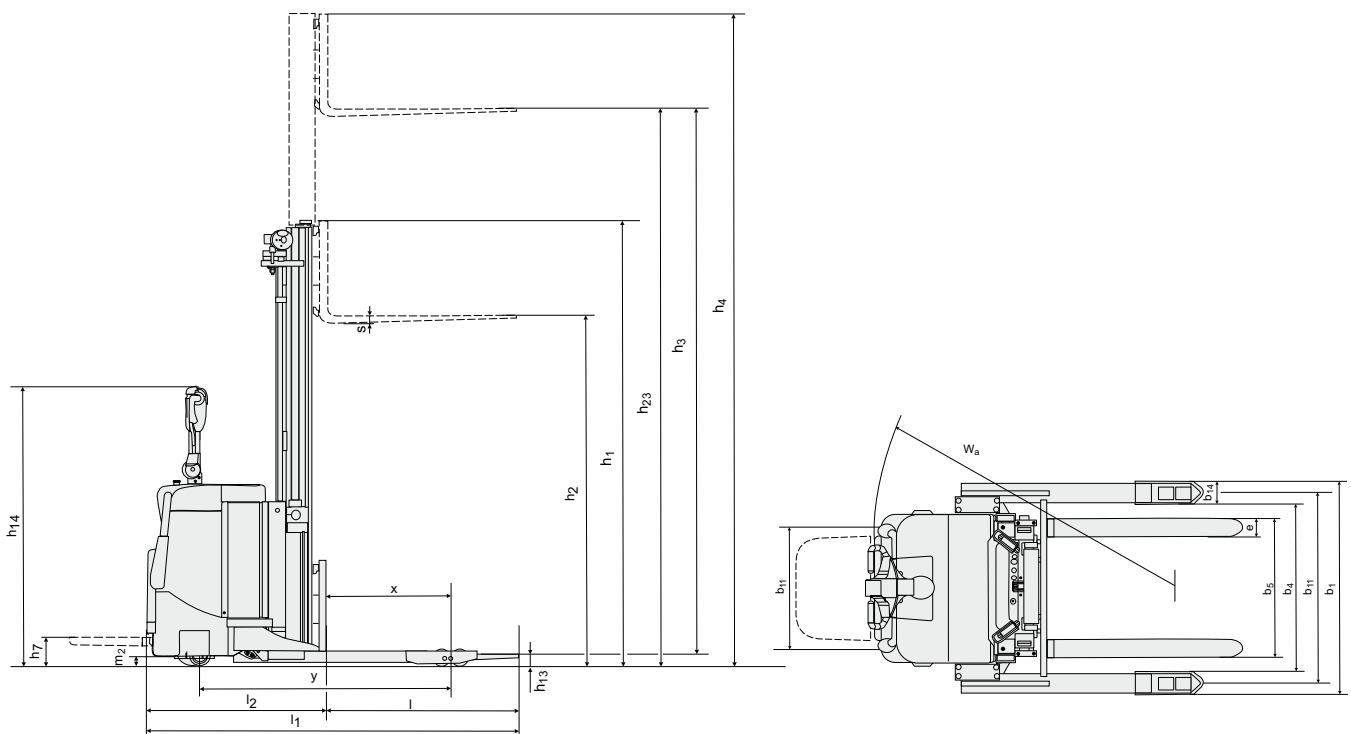
6 Uhf mXYdYbXYbhX]a Ybg]cbg

BT staxio

Dimensions, mm				SPE135S
1.9	Wheelbase	y	mm	1360
4.19	Overall length	l_1	mm	2040
	without platform			2070/2497
4.20	Length to face of forks	l_2	mm	890
	without platform			920/1347
4.33	Aisle width for pallets 1000x1200 crossways	A_{st}	mm	2449
	without platform			2534/2934
4.34	Aisle width for pallets 800x1200 lengthways	A_{st}	mm	2362
	without platform			2447/2847
4.35	Turning radius	W_a	mm	1603
	without platform			1633/2060
6.4	Battery voltage, nominal capacity K_s		V/Ah	24/180-440
6.5	Battery weight, min.—max.		kg	200-250

A UghX]a Ybg]cbg

SPE135S			Duplex Tele			Duplex HiLo					Triplex HiLo					
h_{23}	Lift height ($h_{13}+h_3$)	mm	2350	2800	3350	2350	2900	3350	3750	4150	3350	3750	4150	4500	4800	5400
h_3	Lift	mm	2290	2740	3290	2290	2840	3290	3690	4090	3290	3690	4090	4440	4740	5340
h_1	Height, mast lowered	mm	1710	1935	2210	1710	1985	2210	2420	2620	1680	1815	1950	2065	2165	2365
h_2	Free lift, ground to top of forks	mm	—	—	—	1195	1470	1695	1895	2095	1160	1295	1430	1545	1645	1845
h_4	Height, mast extended	mm	2870	3320	3870	2870	3420	3870	4280	4680	3875	4275	4675	5025	5325	5925



Truck features:

- BT Powerdrive System
- Fingertip controls
- Electronic braking system
- Electronic speed control
- Operator safety
- Storage compartments
- Automatic switch-off
- Programmable performance
- Easy access for maintenance
- Sensilift (option)
- Flip-up operator platform (option)
- Toyota I_Site: truck fleet management system (option)
- Hydraulic oil for low temperatures (option)

For more information contact:

Toyota Material Handling UK

T: 0870 850 1409

E: we.deliver@uk.toyota-industries.eu

W: www.toyota-forklifts.co.uk