

# Electric powered forklift 6.0 - 8.5 ton

TOYOTA  
**TRAI**GO<sup>HT</sup>



**TOYOTA**

MATERIAL HANDLING

stronger together

# 9`YWfJWdck YfYX`Zcf`\_jZi\* '\$!', ')`hcbbY

Truck specifications					8FBMHT60	8FBMHT70	8FBMHT85
Identification	1.1	Manufacturer			TOYOTA	TOYOTA	TOYOTA
	1.2	Model			8FBMHT60	8FBMHT70	8FBMHT85
	1.3	Drive			Electric	Electric	Electric
	1.4	Operator type			Rider seated	Rider seated	Rider seated
	1.5	Load capacity/rated load	Q	kg	6000	7000	8500
	1.6	Load centre	c	mm	600	600	600
	1.8	Load distance, centre of drive axle to fork	x	mm	595	615	635
	1.9	Wheelbase	y	mm	2000	2000	2000
	Weight	2.1	Service weight			10115	10784
2.2		Axle load, with load, front/rear			13996/2119	16042/1742	18821/2005
2.3		Axle load, without load, front/rear			4411/5704	4772/6012	5051/7275
Tyres	3.1	Tyre - pneumatic (P), pneumatic shaped cushion (SE), solid rubber (R)			SE	SE	SE
	3.2	Tyre size, front			355/65-15   8,25-15 <sup>1)</sup>	8,25-15	8,25-15
	3.3	Tyre size, rear			250-15	250-15	250-15
	3.5	Wheels, number front/rear (x=driven wheels)			2x/2   4x/2 <sup>1)</sup>	4x/2	4x/2
	3.6	Track width, front	b <sub>10</sub>	mm	1450   1472 <sup>1)</sup>	1472	1472
	3.7	Track width, rear	b <sub>11</sub>	mm	1230	1230	1230
	Dimensions	4.1	Tilt of mast/fork carriage forward/backward	$\alpha/\beta$	deg	5/10	5/10
4.2		Height, mast lowered	h <sub>1</sub>	mm	2530	2580	2580
4.3		Free lift	h <sub>2</sub>	mm	100	100	100
4.4		Lift	h <sub>3</sub>	mm	3150	3150	3140
		Lift height	h <sub>23</sub>	mm	3210	3210	3220
4.5		Height, mast extended	h <sub>4</sub>	mm	4055	4105	4105
4.7		Height of overhead guard (cab)	h <sub>6</sub>	mm	2570	2570	2570
4.8		Seat height/stand height	h <sub>7</sub>	mm	1379	1379	1379
4.12		Coupling height	h <sub>10</sub>	mm	630	630	630
4.19		Overall length	l <sub>1</sub>	mm	4425	4445	4538
4.20		Length to face of forks	l <sub>2</sub>	mm	3225	3245	3338
4.21		Overall width	b <sub>1</sub>	mm	1750   1972 <sup>1)</sup>	1972	1972
4.22		Fork dimensions	s/e/l	mm	60/200/1200	60/200/1200	70/200/1200
4.23		Fork carriage DIN 15 173, class/type A, B			IV A	IV A	V A
4.24		Fork-carriage width	b <sub>3</sub>	mm	1600	1600	1600
4.31		Ground clearance, with load, below mast	m <sub>1</sub>	mm	205	205	205
4.32		Ground clearance, centre of wheelbase	m <sub>2</sub>	mm	180	180	180
4.33		Aisle width for pallets 1000 x 1200 crossways	A <sub>st</sub>	mm	4989	5009	5090
4.34	Aisle width for pallets 800 x 1200 lengthways	A <sub>st</sub>	mm	5189	5209	5290	
4.35	Turning radius	W <sub>a</sub>	mm	3194	3194	3255	
4.36	Internal turning radius	b <sub>13</sub>	mm	1252	1252	1252	
Performance data	5.1	Travel speed, with/without load		km/h	14,0/16,0	14,0/16,0	13,5/16,0
	5.2	Lift speed, with/without load		m/s	0,32/0,42	0,27/0,40	0,24/0,32
	5.3	Lowering speed, with/without load		m/s	0,49/0,38	0,50/0,40	0,44/0,30
	5.5	Drawbar pull, with/without load		N	13000	13000	13000
	5.6	Max. drawbar pull, with/without load		N	35000	35000	35000
	5.7	Gradeability, with/without load		%	13/16	12/15	11/13
	5.8	Max. gradeability, with/without load		%	16/18	15/17	14/16
	5.10	Service brake			Hydraulic	Hydraulic	Hydraulic
Electric motor	6.1	Drive motor rating S2 60 min		kW	27,1	27,1	27,1
	6.2	Lift motor rating S3 15%		kW	2x20	2x20	2x20
	6.3	Battery acc. to DIN 43 531/35/36 A, B, C, no			—	—	—
	6.4	Battery voltage, nominal capacity K5		V/Ah	80/640	80/640	80/1050
	6.5	Battery weight		kg	1150x2	1150x2	1350x2
Others	8.1	Type of drive control			Inverter MOSFET	Inverter MOSFET	Inverter MOSFET
	8.2	Operating pressure for attachments		bar	190	190	190
	8.3	Oil volume for attachments		l/min	70	70	70
	8.4	Sound level at the driver's ear according to EN 12 053		dB(A)			

1) Dual tyres are optional

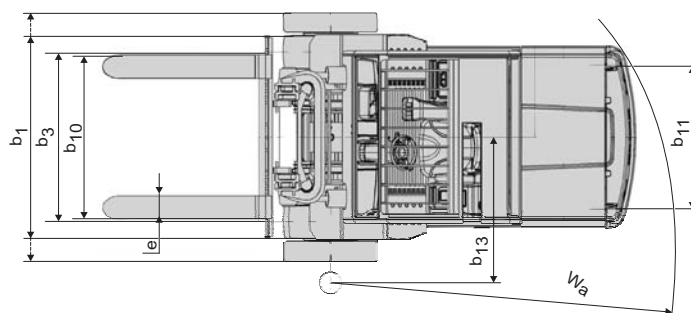
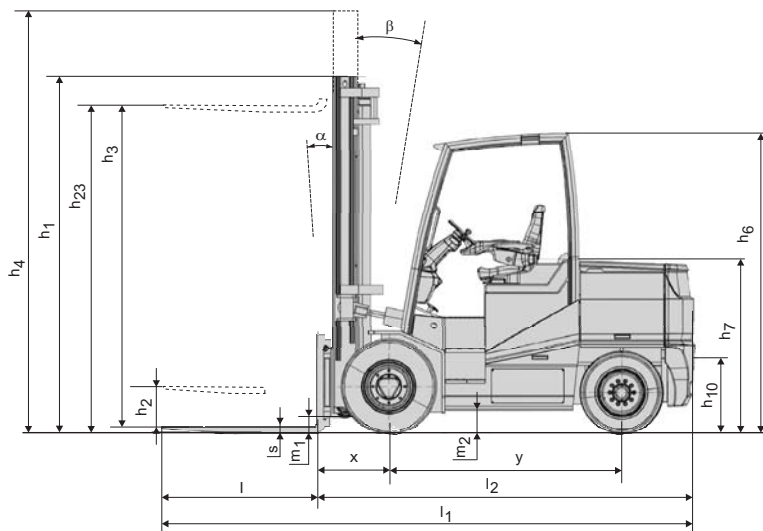
Performance data and dimensions are nominal and subject to tolerances. Specifications are subject to change without notice. Please obtain the latest specifications before contracting products.

# Most dimensions and rated capacities

Model			V							FW				FSW				
8FBMHT60	Lift height	$h_{23}$	3210	3710	4210	4710	5010	5610	6010	3710	4210	4710	5510	4510	5010	5610	6010	6510
	Lift	$h_3$	3150	3650	4150	4650	4950	5550	5950	3650	4150	4650	5450	4450	4950	5550	5950	6450
	Height, mast lowered	$h_1$	2530	2780	3030	3330	3480	3830	4030	2830	3080	3330	3780	2680	2830	3080	3180	3355
	Height, mast extended	$h_4$	4055	4555	5055	5605	5905	6505	7005	4680	5180	5680	6480	5480	5980	6580	6980	7475
	Free lift	$h_2$	100	100	100	100	100	100	100	1800	2050	2350	2750	1650	1800	2050	2150	2350
8FBMHT70	Lift height	$h_{23}$	3210	3710	4210	4710	5010	5610	6010	3710	4210	4710	5510	4510	5010	5610	6010	6510
	Lift	$h_3$	3150	3650	4150	4650	4950	5550	5950	3650	4150	4650	5450	4450	4950	5550	5950	6450
	Height, mast lowered	$h_1$	2580	2830	3080	3380	3530	3830	4080	2830	3080	3330	3780	2680	2830	3080	3180	3355
	Height, mast extended	$h_4$	4105	4605	5105	5655	5955	6555	7005	4680	5180	5680	6480	5480	5980	6580	6980	7475
	Free lift	$h_2$	100	100	100	100	100	100	100	1800	2050	2350	2750	1650	1800	2050	2150	2350
8FBMHT85	Lift height	$h_{23}$	3220	3720	4220	4720	5020	5620	6020	3720	4220	4720	5520	4520	5020	5620	6020	6520
	Lift	$h_3$	3140	3640	4140	4640	4940	5540	5940	3640	4140	4640	5440	4440	4940	5540	5940	6440
	Height, mast lowered	$h_1$	2580	2830	3080	3380	3530	3830	4080	2830	3080	3330	3780	2680	2830	3080	3180	3355
	Height, mast extended	$h_4$	4105	4605	5105	5655	5955	6555	7005	4680	5180	5680	6480	5480	5980	6580	6980	7475
	Free lift	$h_2$	100	100	100	100	100	100	100	1800	2050	2300	2750	1650	1800	2050	2150	2350

Single tyre			V							FW				FSW				
8FBMHT60	Tilt range, forward	deg	5	5	5	5	5	5	5	5	5	5	5	5	5	5	5	5
	Tilt range, backward	deg	10	10	10	10	10	10	10	8	8	8	8	8	8	8	8	8
	Load capacity at 600 mm LC, SE tyres	kg	6000	6000	6000	5800	5500	5200	4900	6000	6000	5800	5000	6000	5800	5400	5100	4600

Dual tyre			V							FW				FSW				
8FBMHT70	Tilt range, forward	deg	5	5	5	5	5	5	5	5	5	5	5	5	5	5	5	5
	Tilt range, backward	deg	10	10	10	10	10	10	10	8	8	8	8	8	8	8	8	8
	Load capacity at 600 mm LC, SE tyres	kg	7000	7000	6900	6800	6200	6000	5900	7000	6900	6800	6000	6650	6450	6200	6000	5500
8FBMHT85	Tilt range, forward	deg	5	5	5	5	5	5	5	5	5	5	5	5	5	5	5	5
	Tilt range, backward	deg	10	10	10	10	10	10	10	8	8	8	8	8	8	8	8	8
	Load capacity at 600 mm LC, SE tyres	kg	8500	8200	8000	7800	7600	7100	6600	8200	8000	7800	7100	7650	7400	7150	6900	6400



## Standard equipments:

- Toyota SAS (System of Active Stability)
- Toyota AC<sup>2</sup> power system
- Toyota ORS seat (Operator Restraint System)
- Seat mounted hydraulic minilevers
- Wide visible mast (MFH:3300)
- Long forks (length:1200mm)
- 4 way valves
- Wet disc brakes
- Pneumatic shaped cushion tyres
- Full hydraulic power steering
- Digital Multifunction Display with wheel indicator

Q | Á [ | ^ Á } { | { a e } Á } a e d Á Á  
Á  
V [ ^ [ a e T a e | a e P a e | a e \* Á N S Á Á  
V Á E | Á Á | Á Á | Á Á | Á Á  
O Á ^ Á Á | a e ^ | O ^ \ E ^ [ a e Á a ^ • d a • E ^ Á Á  
Y Á , , E ^ [ a e | | a e E E \

TP- Technical 745557-040, version 1, 0912— 8FBMHT



TOYOTA MATERIAL HANDLING, MANAGING THE TOYOTA AND BT MATERIALS HANDLING BRANDS

**TOYOTA**

MATERIAL HANDLING

stronger together