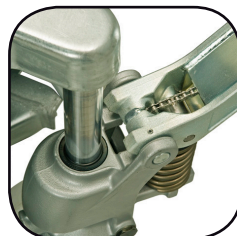


Hand pallet truck 2.3 ton} ^

BT lifter

L-series

LHM230G



Hand pallet truck

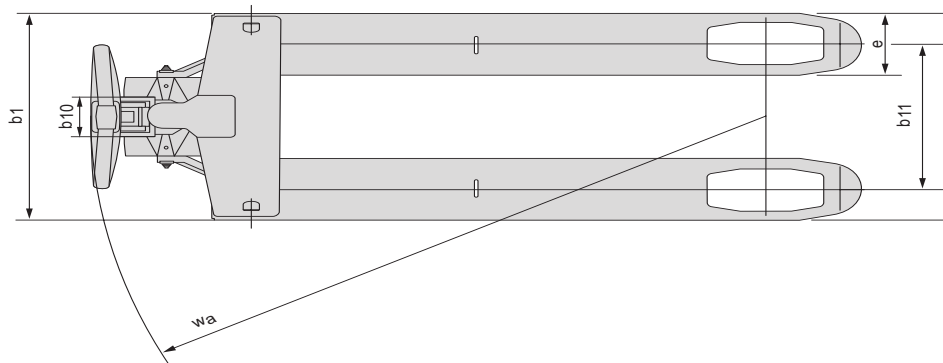
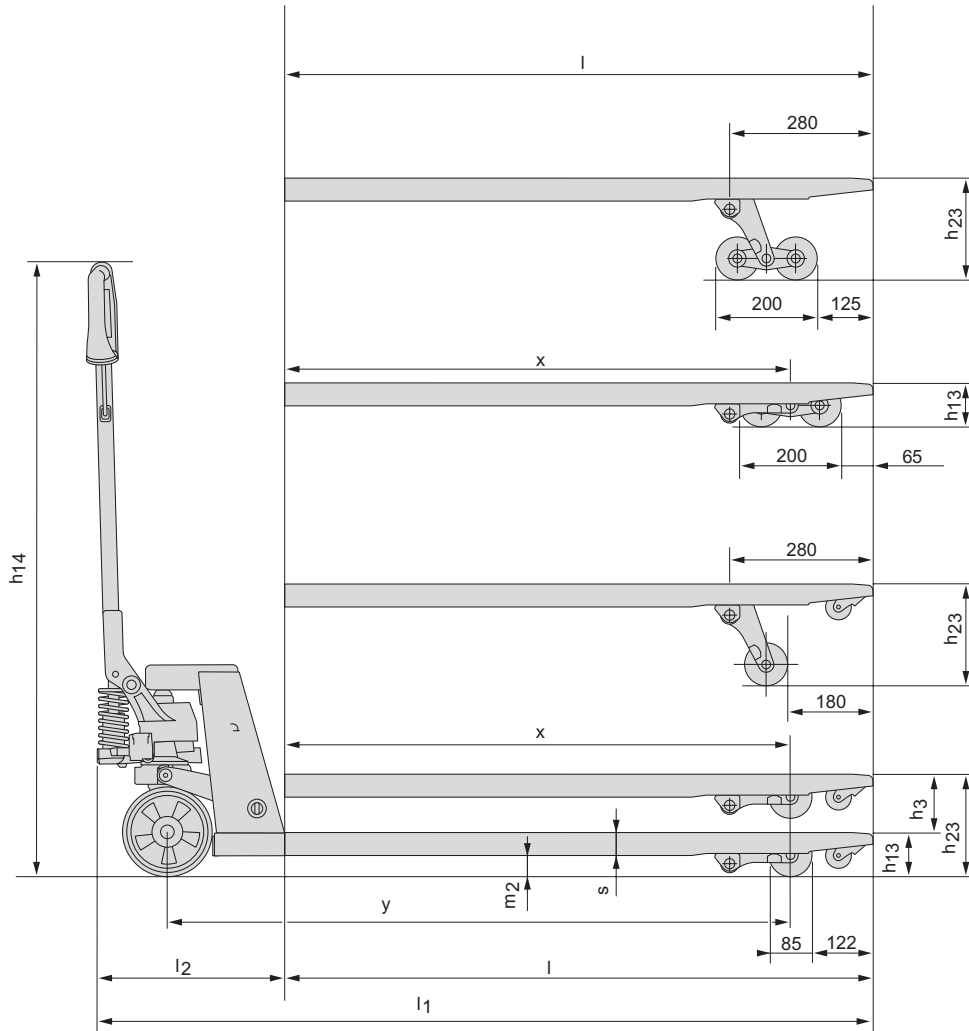
Truck specifications					LHM230G
Identification	1.1	Manufacturer			BT
	1.2	Manufacturer's type designation			LHM230G
	1.4	Operator type			Hand
	1.5	Load capacity/rated load	Q(t)	kg	2300
	1.6	Load centre distance	c	mm	600
	1.8	Load distance, front axle to fork face	x	mm	945
	1.9	Wheelbase	y	mm	1170
Weight	2.1	Service weight		kg	63
	2.2	Axle load, with load, drive/castor/fork wheel		kg	375/805
	2.3	Axle load, without load, drive/castor/fork wheel		kg	20/10
Wheels	3.1	Steer/fork wheels: Nylon (N), Polyurethane (P), Rubber (R)			N, P, R/N, P
	3.2	Wheel size, front			175x60
	3.3	Wheel size, rear, single/bogie			85x100 / 85x75
	3.5	Steer wheels, number front/rear			2/2 or 2/4
	3.6	Track width, front	b_{10}	mm	132
	3.7	Track width, rear	b_{11}	mm	364
	Dimensions	4.4	Lift movement	h_3	mm
		Lift height	h_{23}	mm	200
4.9		Height of tiller in drive position, min./max.	h_{14}	mm	1220
4.15		Height, lowered	h_{13}	mm	85
4.19		Overall length	l_1	mm	1510
4.20		Length to face of forks	l_2	mm	365
4.21		Overall width	b_1	mm	520/685
4.22		Fork dimensions	s/e/l	mm	45/156/1150 ¹⁾
4.25		Width over forks	b_5	mm	520/685
4.32		Ground clearance, centre of wheelbase	m_2	mm	40
4.33		Aisle width for pallets 1000 x 1200 crossways	A_{st}	mm	1525
4.34		Aisle width for pallets 800 x 1200 lengthways	A_{st}	mm	1756
4.35	Turning radius	W_a	mm	1392	

1) Other fork length available: 800/910/1000/1070/1220

All data are based on table configuration. Other configurations may give other values. Truck performance and dimensions are nominal and subject to tolerances. Specifications are subject to change without notice.

Dimensional drawings

BT lifter



Truck features:

- The galvanized truck is a cost effective alternative for use in corrosive environment, cold room or clean room applications.
- Designed for use in cold surroundings, equipped with the BT high quality standard pump.
- Robot welding gives a high quality every time.
- Robust design and still low weight – easy to manoeuvre.
- Strong powerful thrust bearing is standard, for easier steering and enhanced durability.
- BT lowering control valve enables smooth, controlled lowering action.
- Greasable bushings ensure a long service life.
- Angled high strength polymer handle for best ergonomic grip.
- This product has been environmentally declared.
- Customised configurations – a part of our offer.

For more information contact:

Toyota Material Handling UK

T: 0870 850 1400

E: we.deliver@toyota-material-handling.co.uk

W: www.toyota-forklifts.co.uk

TP-Technical Publications - 745350 - 0411



TOYOTA MATERIAL HANDLING, MANAGING THE TOYOTA AND BT MATERIALS HANDLING BRANDS

TOYOTA

MATERIAL HANDLING

stronger together