

# Hand pallet truck 2.3 tonne

## BT lifter with weight indicator



# Hand pallet truck

Truck specifications					LHM230WI
Identification	1.1	Manufacturer			BT
	1.2	Manufacturer's type designation			LHM230WI
	1.4	Operator type			Hand
	1.5	Load capacity/rated load	Q(t)	kg	2300
	1.6	Load centre distance	c	mm	600
	1.8	Load distance, front axle to fork face	x	mm	945
	1.9	Wheelbase	y	mm	1170
Weight	2.1	Service weight		kg	65
	2.2	Axle load, with load, drive/castor/fork wheel		kg	375/805
	2.3	Axle load, without load, drive/castor/fork wheel		kg	20/10
Wheels	3.1	Steer/fork wheels: Powerthane (Po), Steel (S) Nylon (N), Polyurethane (P), Rubber (R), Rubber antistatic (Ra)			Po, S, N, P, R, Ra/ Po, S, N, P
	3.2	Wheel size, front			175x60
	3.3	Wheel size, rear, single/bogie			85x100 / 85x75
	3.5	Steer wheels, number front/rear			2/2 or 2/4
	3.6	Track width, front	b <sub>10</sub>	mm	132
	3.7	Track width, rear	b <sub>11</sub>	mm	364
	Dimensions	4.4	Lift movement	h <sub>3</sub>	mm
		Lift height	h <sub>23</sub>	mm	200
4.9		Height of tiller in drive position, min./max.	h <sub>14</sub>	mm	1220
4.15		Height, lowered	h <sub>13</sub>	mm	85
4.19		Overall length	l <sub>1</sub>	mm	1510
4.20		Length to face of forks	l <sub>2</sub>	mm	365
4.21		Overall width	b <sub>1</sub>	mm	520/685
4.22		Fork dimensions	s/e/l	mm	45/156/1150 <sup>1)</sup>
4.25		Width over forks	b <sub>5</sub>	mm	520/685
4.32		Ground clearance, centre of wheelbase	m <sub>2</sub>	mm	40
4.33		Aisle width for pallets 1000 x 1200 crossways	A <sub>st</sub>	mm	1556
4.34		Aisle width for pallets 800 x 1200 lengthways	A <sub>st</sub>	mm	1725
4.35		Turning radius	W <sub>a</sub>	mm	1370

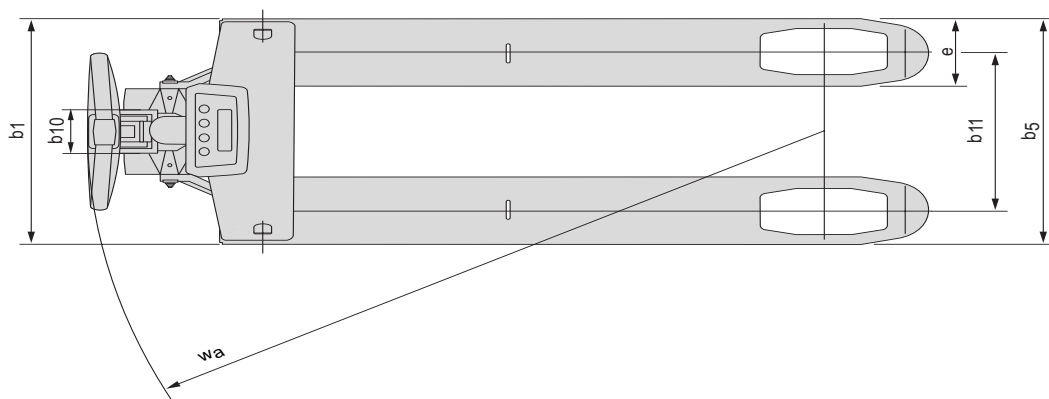
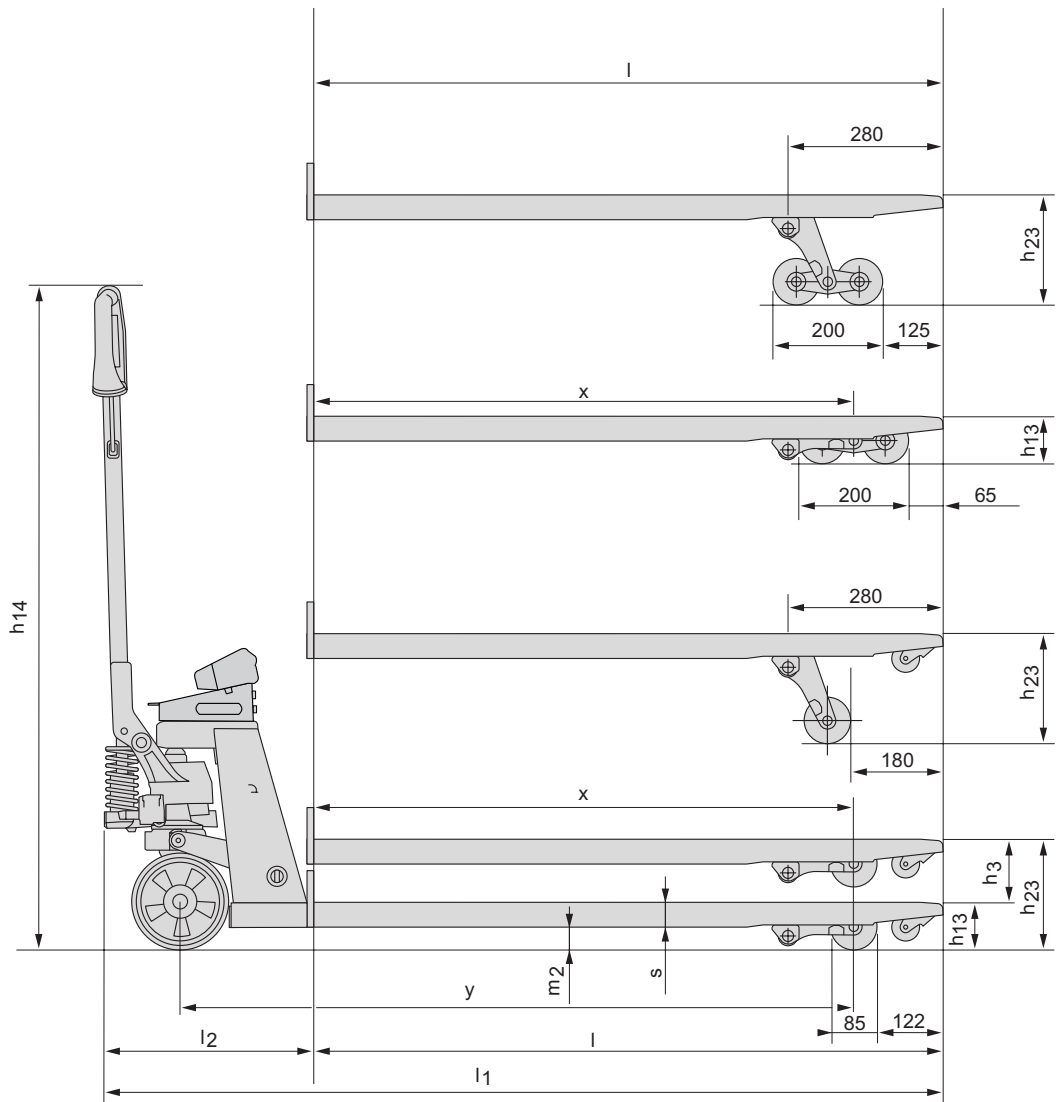
1) Other fork length available: 800/910/1000/1070/1220

All data are based on table configuration. Other configurations may give other values. Truck performance and dimensions are nominal and subject to tolerances. Specifications are subject to change without notice.

Scale data	LHM230WI		
	Maximum inaccuracy, applied weight	kg	± 20, in 5 kg steps
	Battery	V	4 x 1.5 AA size
	Battery length of life		3000 weighings

# Dimensional drawings

# BT lifter with weight indicator



## Truck features:

- For simple mobile weight indication: on board lorries, at goods receptions, determining shipping weights, avoiding overload, approximate pallet weights.
- Equipped with Quick Lift function as standard.
- A perfect combination of quality and reliability, easy to serve and very user friendly.
- Greasable bushings ensure a long service life.
- Many wheel options to optimise the wheel resistance for different flooring material.
- Low pulling force needed, lifting and lowering is controlled by one lever.
- The robust forks are made in one piece, and the rounded fork tips makes it easy to move in and out of pallets.
- This product has been environmentally declared.

For more information contact:  
Toyota Material Handling UK  
T: 0870 850 1409  
E: [we.deliver@uk.toyota-industries.eu](mailto:we.deliver@uk.toyota-industries.eu)  
W: [www.toyota-forklifts.co.uk](http://www.toyota-forklifts.co.uk)

TP-Technical Publications — 745349 version 1, 0910



TOYOTA MATERIAL HANDLING IN EUROPE, MANAGING THE TOYOTA AND BT MATERIALS HANDLING BRANDS IN EUROPE.

**TOYOTA**

MATERIAL HANDLING

stronger together