

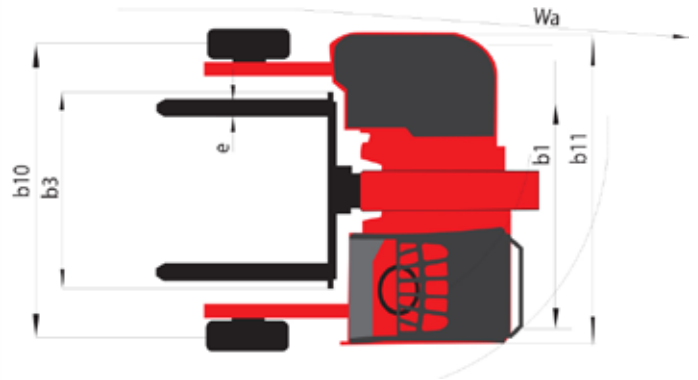
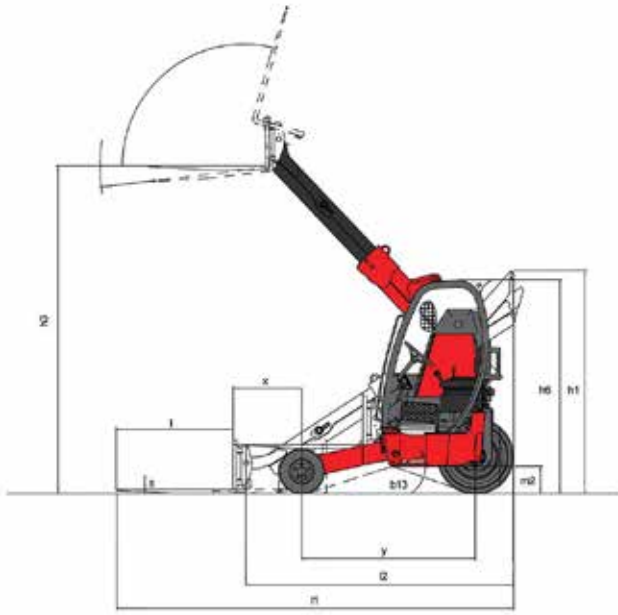
Technical sheet

# **TMT 27 S**

Truck Mounted Forklifts



	Technical characteristics	Metric
1.1	Manufacturer	Manitou
1.2	Model	TMT 27 S
1.3	Type of traction	Diesel
1.4	Type of operation	Seated
1.5	Q - Rated capacity	2700 kg
1.9	y - Wheelbase	1920 mm
	<b>Weight</b>	
2.1	Weight of truck in working order	2645 kg
2.2	Laden weight on front/rear axle	3355 kg / 1990 kg
2.3	Unladen weight on front/rear axle	845 kg / 1800 kg
	<b>Wheels</b>	
3.1	Tyre equipment: bandage (V), PPS (SE), inflatable tyre (L)	L
3.5	Number of front wheels (x)	2x / 1x
	<b>Dimensions</b>	
4.2	h1 - Height (mast lowered)	2260 mm
4.3	h2 - Free lift	1500 mm
4.19	l1 - Total length	2780 mm
4.20	l2 - Length to fork heel	1580 mm
4.21	b1 - Overall width - Single/twin wheels	2350 mm / -
4.22	e / s / l - Fork dimensions	1200 x 125 x 40
4.24	b3 - Width of fork clamp	1270 mm
4.34	Ast - Aisle width for 800 x 1200 pallet lengthwise	3840 mm
4.35	Wa - Turning radius	3220 mm
	<b>Performances</b>	
5.1	Speed of travel laden / unladen	11 km/h / 11 km/h
5.7	Maximum ramp laden / unladen	36 % / 30 %
5.10	Service brake	Oil-Immersed Multi-Discs on Front & Rear Axles
	<b>Engine</b>	
7.1	Engine manufacturer / Type	Kubota - V2403 M / Stage 3A / Interim Tier IV
7.2	Useful power	36.50 kW
7.4	Number of pistons / Capacity	4 / 2434 cm <sup>3</sup>
	<b>Miscellaneous</b>	
8.2	Working hydraulic pressure for attachments	270 bar
8.3	Oil flow rate for attachments	50 l/min



# Equipment

---

## Standard

3 braked wheels

3 drive wheels with hydrostatic transmission

Barre arrière de protection

Standard Cab 2.2 m

Battery Master Switch

Belt-linked engine cut-off

Boom with integrated side shift

Right-hand side grill

Wide handle

Three-function FNR handling levers

Anti-slip step

Certified driver guard

Outside right rear-view mirror

Internal rear-view mirror

Imitation leather seat

Stabiliser on front wheel arms

## Optional

Reversing warning buzzer

Lowered cab 2 m

Raised Cab 2.4 m

24V truck connection cable 1x15 plugs

Hydraulic line for quick-release attachments

Load backrest

Complete road lighting

Reversing light

Flashing Light

Extreme cold diesel fuel

Rotating beacon light

Protective seat cover

6 km/h forward and reverse speed limiter

Metal plating

Personalized paintwork

Rear working light

Right front working light

Left front working light

Engine preheat

Self-cleaning pre-filter



Groundwater Lift Trucks Ltd,  
Spurryhillock Industrial Estate,  
Stonehaven, Aberdeenshire, AB39 2NH  
01569 763247  
sales@groundwater.uk.com  
www.groundwater.uk.com



Siège Social  
430 rue de l'Aubinière - 44150 Ancenis Cedex - France  
Tel: +33(0)2 40 09 10 11 - Fax: +33 (0)2 40 09 10 97  
www.manitou.com



This brochure describes versions and configuration options for Manitou products which may be fitted with different equipment. The equipment described in this brochure may be standard, optional or not available depending on version. Manitou reserves the right to change the specifications shown and described at any time and without prior warning. The manufacturer is not liable for the specifications given. For more information, contact your Manitou dealer. Non-contractual document. Product descriptions may differ from actual products. List of specifications is not comprehensive. The logos and visual identity of the company are the property of Manitou and may not be used without authorisation. All rights reserved. The photos and diagrams contained in this brochure are provided for information only.

MANITOU BF SA - Limited company with board of directors - Share capital: 39,547,824 euros - 857 802 508 RCS Nantes