

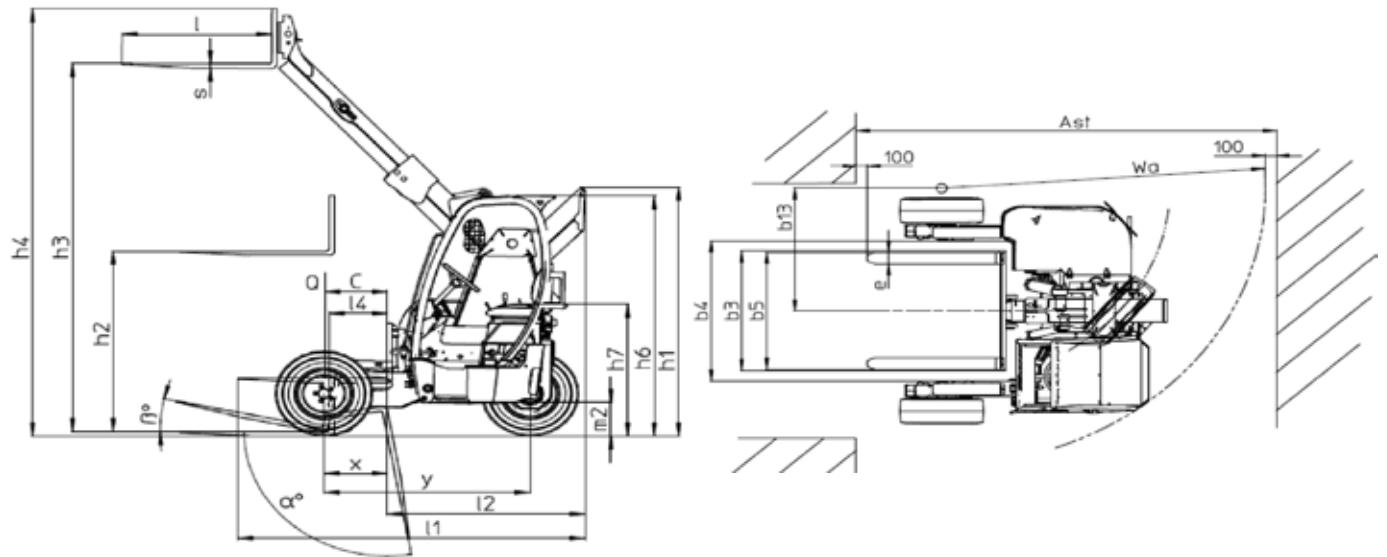
Technical sheet

TMT 25 S 4W

Truck Mounted Forklifts



	Technical characteristics	Metric
1.1	Manufacturer	Manitou
1.2	Model	TMT 25 S 4W
1.3	Type of traction	Diesel
1.4	Type of operation	Seated
1.5	Q - Rated capacity	2500 kg
1.6	c - Center of gravity of load	500 mm
1.9	y - Wheelbase	1650 mm
	Weight	
2.1	Weight of truck in working order	2780 kg
2.2	Laden weight on front/rear axle	3520 kg / 1760 kg
2.3	Unladen weight on front/rear axle	1000 kg / 1780 kg
	Wheels	
3.1	Tyre equipment: bandage (V), PPS (SE), inflatable tyre (L)	L
3.5	Number of front wheels (x)	2x / 1x
3.6	b10 - Front track	2.17 mm
	Dimensions	
4.2	h1 - Height (mast lowered)	2280 mm
4.3	h2 - Free lift	1700 mm
4.7	h6 - Height of driver protection (cab)	2200 mm
4.8	h7 - Height of seat	1190 mm
4.19	l1 - Total length	2780 mm
4.20	l2 - Length to fork heel	1580 mm
4.21	b1 - Overall width - Single/twin wheels	2450 mm / -
4.22	e / s / l - Fork dimensions	1200 x 125 x 40
4.23	Fork carriage to DIN 15173 A/B	FEM 2A
4.24	b3 - Width of fork clamp	1270 mm
4.33	Ast - Aisle width for 1000 x 1200 pallet widthwise	3970 mm
4.34	Ast - Aisle width for 800 x 1200 pallet lengthwise	3970 mm
4.35	Wa - Turning radius	3070 mm
4.36	b13 - Inner turning radius	250 mm
	Performances	
5.1	Speed of travel laden / unladen	11 km/h / 11 km/h
5.2	Lifting speed laden / unladen	0.38 m/s / 0.41 m/s
5.3	Lowering speed laden / unladen	0.46 m/s / 0.55 m/s
5.5	Nominal pulling force laden / unladen	1800 daN / 740 daN
5.10	Service brake	Hydraulic
	Engine	
7.1	Engine manufacturer / Type	Kubota - V2403 M / Stage 3A / Interim Tier IV
7.2	Useful power	36.50 kW
7.4	Number of pistons / Capacity	4 / 2430 cm ³
	Miscellaneous	
8.2	Working hydraulic pressure for attachments	270 bar
8.3	Oil flow rate for attachments	50 l/min
8.4	Measured/guaranteed mean noise level at the ear of the operator	81 dB(A)



Equipment

Standard

3 braked wheels

3 drive wheels with hydrostatic transmission

Barre arrière de protection

Standard Cab 2.2 m

Battery Master Switch

Belt-linked engine cut-off

Boom with integrated side shift

Right-hand side grill

Wide handle

Three-function FNR handling levers

Anti-slip step

24V 2x7 plug truck connector adapter

Certified driver guard

Left-hand safety strap

Imitation leather seat

Stabiliser on front wheel arms

License plate quick change bracket and light

Optional

Reversing warning buzzer

Lowered cab 2 m

Raised Cab 2.4 m

24V truck connection cable 1x15 plugs

Hydraulic line for quick-release attachments

Load backrest

Complete road lighting

Reversing light

Flashing Light

Extreme cold diesel fuel

Rotating beacon light

Protective seat cover

6 km/h forward and reverse speed limiter

Metal plating

Personalized paintwork

Rear working light

Right front working light

Left front working light

Poultry farming blue lights

Document holder



Groundwater Lift Trucks Ltd,
Spurryhillock Industrial Estate,
Stonehaven, Aberdeenshire, AB39 2NH
01569 763247
sales@groundwater.uk.com
www.groundwater.uk.com



Siège Social
430 rue de l'Aubinière - 44150 Ancenis Cedex - France
Tel: +33(0)2 40 09 10 11 - Fax: +33 (0)2 40 09 10 97
www.manitou.com



This brochure describes versions and configuration options for Manitou products which may be fitted with different equipment. The equipment described in this brochure may be standard, optional or not available depending on version. Manitou reserves the right to change the specifications shown and described at any time and without prior warning. The manufacturer is not liable for the specifications given. For more information, contact your Manitou dealer. Non-contractual document. Product descriptions may differ from actual products. List of specifications is not comprehensive. The logos and visual identity of the company are the property of Manitou and may not be used without authorisation. All rights reserved. The photos and diagrams contained in this brochure are provided for information only.

MANITOU BF SA - Limited company with board of directors - Share capital: 39,547,824 euros - 857 802 508 RCS Nantes