

Technical sheet

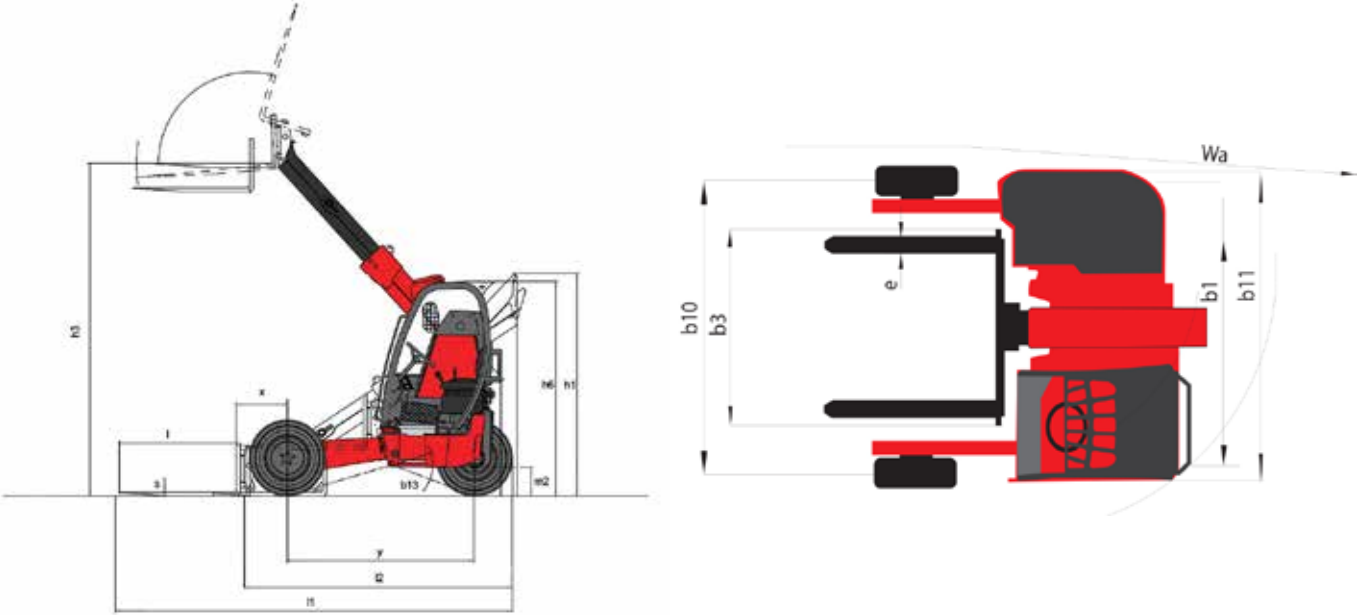
TMT 25 P

Truck Mounted Forklifts



 **MANITOU**
HANDLING YOUR WORLD

	Technical characteristics	Metric
1.1	Manufacturer	Manitou
1.2	Model	TMT 25 P
1.3	Type of traction	Diesel
1.4	Type of operation	Seated
1.5	Q - Rated capacity	2500 kg
1.9	y - Wheelbase	1920 mm
	Weight	
2.1	Weight of truck in working order	2445 kg
2.2	Laden weight on front/rear axle	3165 kg / 1781 kg
2.3	Unladen weight on front/rear axle	740 kg / 1705 kg
	Wheels	
3.1	Tyre equipment: bandage (V), PPS (SE), inflatable tyre (L)	L
3.5	Number of front wheels (x)	2x / 1x
	Dimensions	
4.2	h1 - Height (mast lowered)	2250 mm
4.3	h2 - Free lift	1500 mm
4.19	l1 - Total length	2750 mm
4.20	l2 - Length to fork heel	1550 mm
4.21	b1 - Overall width - Single/twin wheels	2270 mm / -
4.22	e / s / l - Fork dimensions	1200 x 125 x 40
4.24	b3 - Width of fork clamp	1270 mm
4.34	Ast - Aisle width for 800 x 1200 pallet lengthwise	3780 mm
4.35	Wa - Turning radius	3010 mm
	Performances	
5.1	Speed of travel laden / unladen	9 km/h / 9 km/h
5.7	Maximum ramp laden / unladen	24 % / 32 %
5.10	Service brake	Oil-Immersed Multi-Discs on Front & Rear Axles
	Engine	
7.1	Engine manufacturer / Type	Kubota - V2403 M / Stage 3A / Interim Tier IV
7.2	Useful power	36.50 kW
7.4	Number of pistons / Capacity	4 / 2434 cm ³
	Miscellaneous	
8.2	Working hydraulic pressure for attachments	250 bar
8.3	Oil flow rate for attachments	50 l/min



Equipment

Standard

3 drive wheels with hydrostatic transmission

Barre arrière de protection

Standard Cab 2.2 m

Battery Master Switch

Belt-linked engine cut-off

Load backrest

Boom with integrated side shift

Reversing light

Right-hand side grill

Wide handle

Three-function FNR handling levers

Anti-slip step

Rear working light

Right front working light

Left front working light

Poultry farming blue lights

Self-cleaning pre-filter

24V 2x7 plug truck connector adapter

Certified driver guard

Oil cooling

Left-hand safety strap

Imitation leather seat

License plate quick change bracket and light

Optional

Reversing warning buzzer

Lowered cab 2 m

Raised Cab 2.4 m

24V truck connection cable 1x15 plugs

Hydraulic line for quick-release attachments

Complete road lighting

Flashing Light

Extreme cold diesel fuel

Rotating beacon light

Protective seat cover

6 km/h forward and reverse speed limiter

Metal plating

Personalized paintwork

Document holder

24N truck plug instead of 2

Transparent roof protection

Outside right rear-view mirror



Groundwater Lift Trucks Ltd,
Spurryhillock Industrial Estate,
Stonehaven, Aberdeenshire, AB39 2NH
01569 763247
sales@groundwater.uk.com
www.groundwater.uk.com



Siège Social
430 rue de l'Aubinière - 44150 Ancenis Cedex - France
Tel: +33(0)2 40 09 10 11 - Fax: +33 (0)2 40 09 10 97
www.manitou.com



This brochure describes versions and configuration options for Manitou products which may be fitted with different equipment. The equipment described in this brochure may be standard, optional or not available depending on version. Manitou reserves the right to change the specifications shown and described at any time and without prior warning. The manufacturer is not liable for the specifications given. For more information, contact your Manitou dealer. Non-contractual document. Product descriptions may differ from actual products. List of specifications is not comprehensive. The logos and visual identity of the company are the property of Manitou and may not be used without authorisation. All rights reserved. The photos and diagrams contained in this brochure are provided for information only.

MANITOU BF SA - Limited company with board of directors - Share capital: 39,547,824 euros - 857 802 508 RCS Nantes