

TECHNICAL DATA SHEET

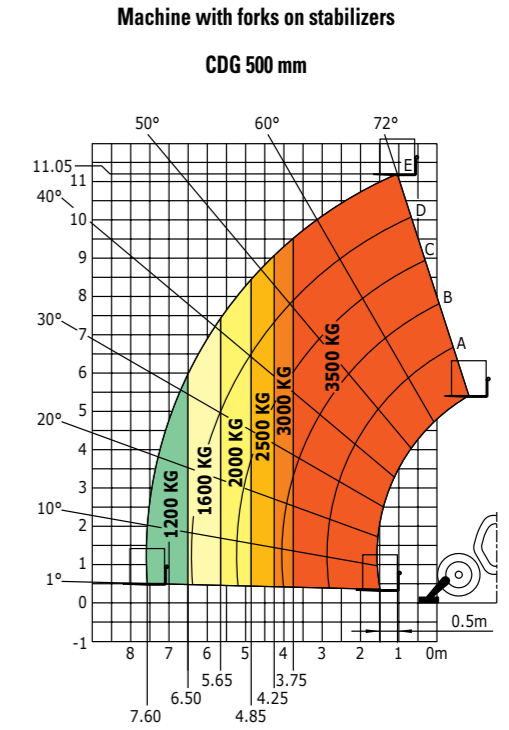
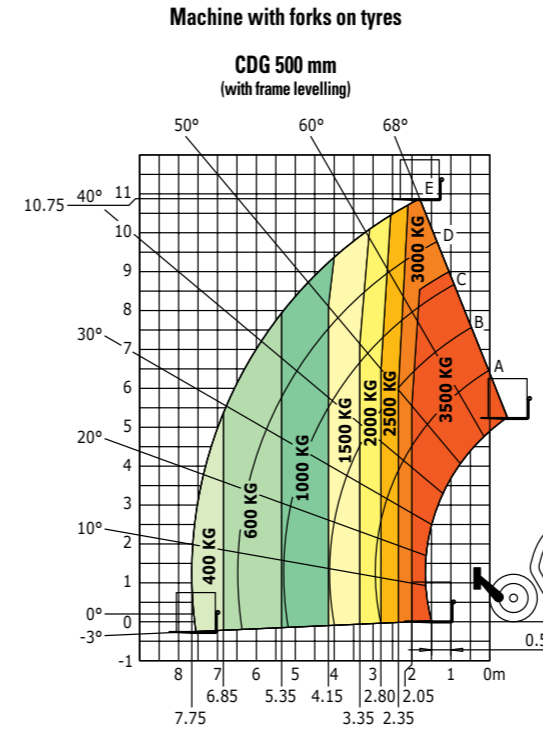
MT 1135
Manitou Telescopic

easy

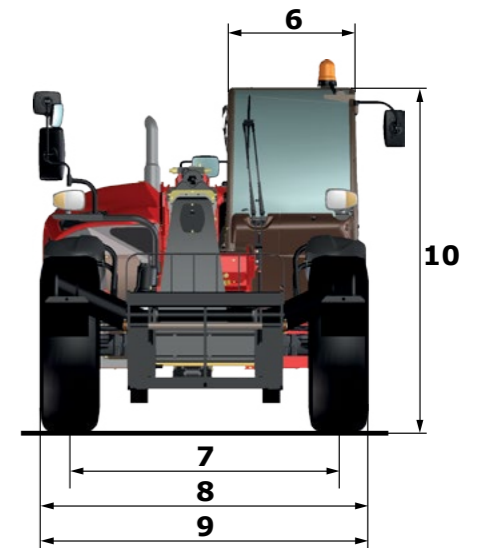
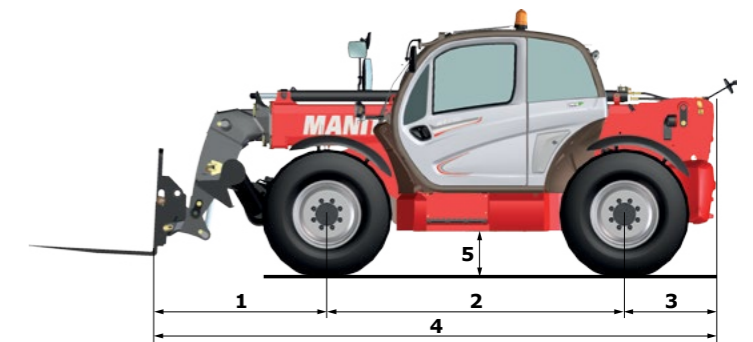
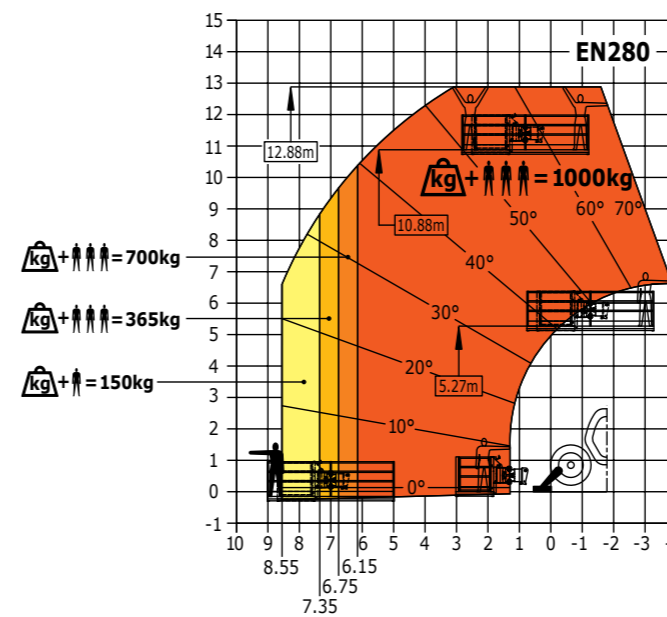


	MT 1135 easy	MT1135 HA easy
Lifting		
Max. capacity		3500 kg
Max. lifting height		11.05 m
Max. outreach		7.75 m
Break-out force with bucket (ISO 8313)		6400 daN
Unladen time		
Lifting	8.5 s	10.5 s
Lowering	7.0 s	10.0 s
Extension		13.0 s
Retraction	9.0 s	11.5 s
Crowd		4.0 s
Dump		4.0 s
Tyres	400 / 80 -24	
Braking		
Service brake	oil immersed multi-disc braking	
Parking brake	automatic negative parking brake	
Engine		
	DEUTZ - STAGE 3B - FINAL TIER 4	
Type	TD 3.6 L	
Cubic capacity	3621 cm ³	
Power	75 HP/55.4 kW	
Max torque	330 Nm	
Injection	direct	
Cooling	water	
Laden drawbar pull	8000 daN	
Transmission		
	torque converter	hydrostatic
Reversing shift	electrohydraulic control	
Number of gears (forward/reverse)	4/4	3/2
Drive wheels	4 wheel drive	
Steering mode	4 wheel steer - 3 steering modes	
Max. travel speed (may vary according to applicable regulations)	25 kph	
Hydraulics		
Pump	gear type with priority valve 125 l/min – 270 bar	
Capacities		
Hydraulic oil	125 l	
Fuel	120 l	
Unladen weight (with forks)	8800 kg	8900 kg
Dimensions		
1. Front wheel centre to carriage	1.60 m	
2. Wheelbase	2.88 m	
3. Rear wheel centre to rear face	0.89 m	
4. Overall length to carriage	5.37 m	
5. Ground clearance	0.42 m	
6. Overall width of cab	0.88 m	
7. Inside tyre width	1.87m	
8. Overall width	2.28 m	
9. Overall width (stabilizers lowered)	2.28 m	
10. Overall height	2.42 m	
Turning radius (over tyres)	3.65 m	
Carriage rotation (crowd / dump)	16° /110°	
Standard forks (length x width x thickness)	1200 x 125 x 45 mm	
Frame levelling		
	in option	
Controls		
	JSM *(Multi-function joystick)	
Safety		
	Load limiter cut off system - EN 15000 norm ROPS / FOPS level II standard cab	
Noise and vibration		
Noise at driving position (LpA)	78 dB	
Environmental noise (LwA)	103 dB	
Vibration to whole hand/arm	<2.50 m/s ²	

Rough terrain load chart
Standard EN 1459B



Machine with platform on stabilizers
(MT 1135 HA version)



Your MANITOU dealer



Head office :
B.P. 249 - 430 rue de l'Aubinière - 44158 Ancenis Cedex - France
Phone.: +33 (0)2 40 09 10 11 - Fax: +33 (0)2 40 09 10 97
www.manitou.com

