

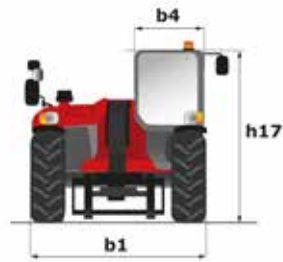
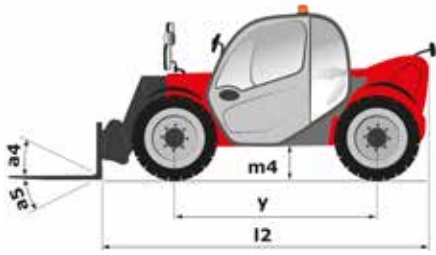
Technical sheet

# **MT 625 HA**

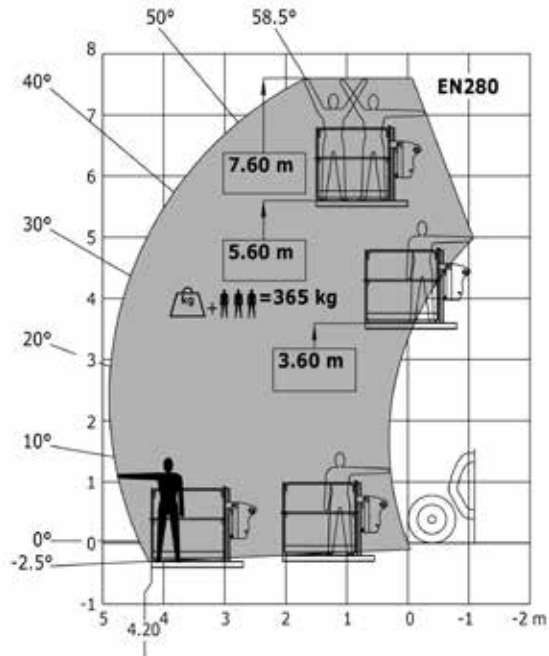
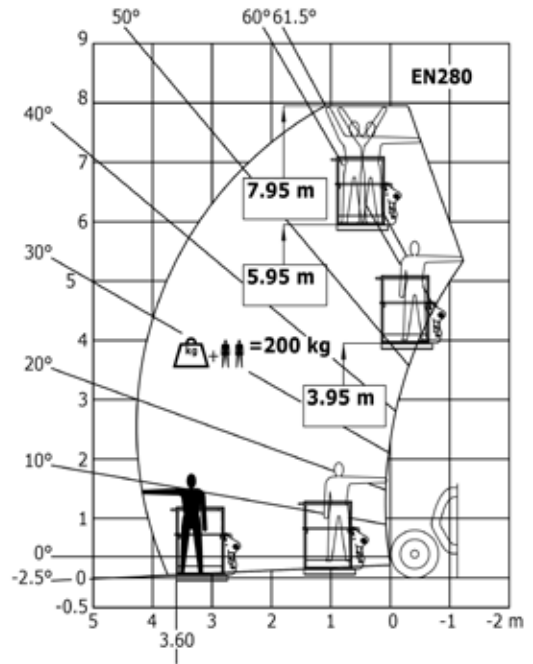
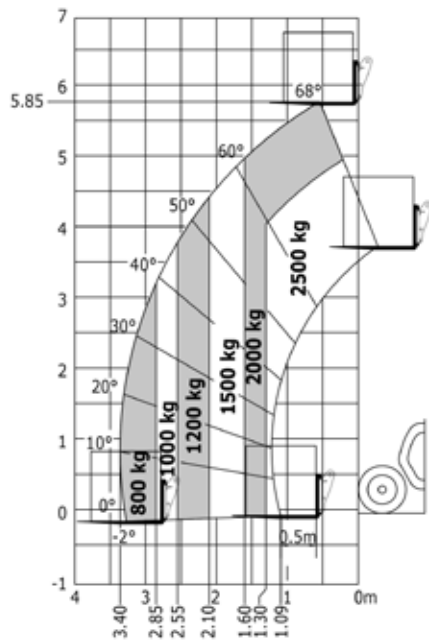
Telehandlers



Capacities	Metric
Max. capacity	2500 kg
Max. lift height	5.85 m
Max. reach	3.94 m
Bucket breakout force	3427 daN
Weight and dimensions	
l2 - Overall length of fork carriage	3.90 m
b1 - Overall width	1.81 m
h17 - Overall height	1.92 m
y - Wheelbase	2.30 m
m4 - Ground clearance	0.33 m
b4 - Overall cab width	0.79 m
Wa1 - Frame outer turning radius	3.31 m
Unladen weight (with forks)	4800 kg
Standard tyres	Pneumatic
Standard forks	1200x125x45
Performances	
Lifting	7.80 s
Lowering	5.60 s
Telescope extension	5.40 s
Retracting the telescope	3.50 s
Scoop	3 s
Dump	3 s
Engine	
Brand	Kubota
Environmental standards	Stage 5
Model	V3307-DI-T-E4B
Number of cylinders - Capacity	4 - 3331 cm <sup>3</sup>
Power	75 hp / 55.40 kW
Max. torque	265 Nm at -
Laden drawbar pull	3550 daN
Transmission	
Type	Hydrostatic
Number of gears (forward/reverse)	2/2
Parking brake	Automatic negative parking brake
Service brake	Oil-Immersed Multi-Discs on Front & Rear Axles
Hydraulics	
Type of pump	Gear pump
Hydraulic flow rate - Pressure	90 l/min - 235 bar
Tank capacities	
Engine oil	11.20 l
Hydraulic oil	115 l
Fuel	63 l
Cooling liquid	12 l
Noise & vibration	
Noise at driving position (LpA)	76 dB(A)
Noise to environment (LwA)	104 dB(A)
Vibration on hands/arms	<2.50 m/s <sup>2</sup>
Miscellaneous	
Steering wheels / Driving wheels	4 / 4
Safety	Cab ROPS - FOPS Level 2
Controls	JSM



# Load chart





Groundwater Lift Trucks Ltd,  
Spurryhillock Industrial Estate,  
Stonehaven, Aberdeenshire, AB39 2NH  
01569 763247  
sales@groundwater.uk.com  
www.groundwater.uk.com



Siège Social  
430 rue de l'Aubinière - 44150 Ancenis Cedex - France  
Tel: +33(0)2 40 09 10 11 - Fax: +33 (0)2 40 09 10 97  
www.manitou.com



This brochure describes versions and configuration options for Manitou products which may be fitted with different equipment. The equipment described in this brochure may be standard, optional or not available depending on version. Manitou reserves the right to change the specifications shown and described at any time and without prior warning. The manufacturer is not liable for the specifications given. For more information, contact your Manitou dealer. Non-contractual document. Product descriptions may differ from actual products. List of specifications is not comprehensive. The logos and visual identity of the company are the property of Manitou and may not be used without authorisation. All rights reserved. The photos and diagrams contained in this brochure are provided for information only.

MANITOU BF SA - Limited company with board of directors - Share capital: 39,547,824 euros - 857 802 508 RCS Nantes