

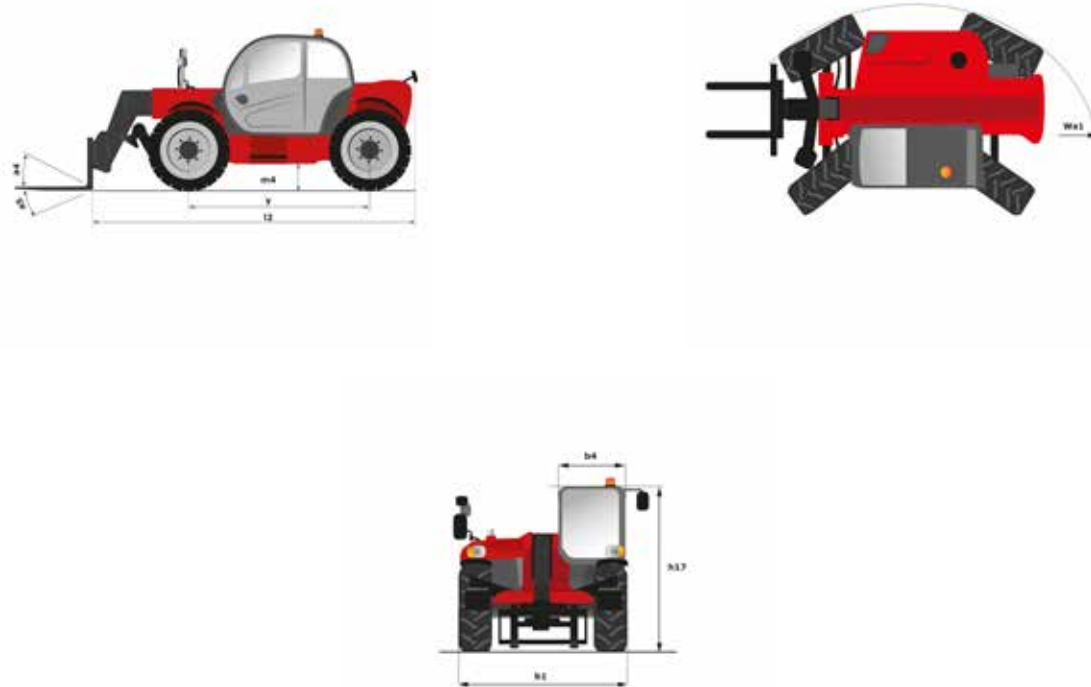
Technical sheet

# MT 1440

Telehandlers

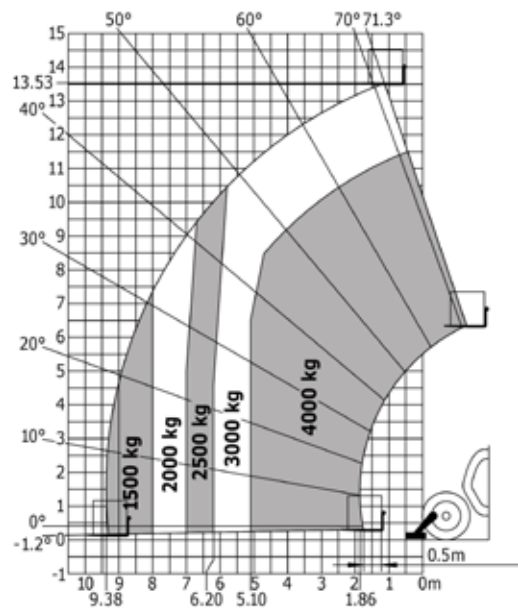
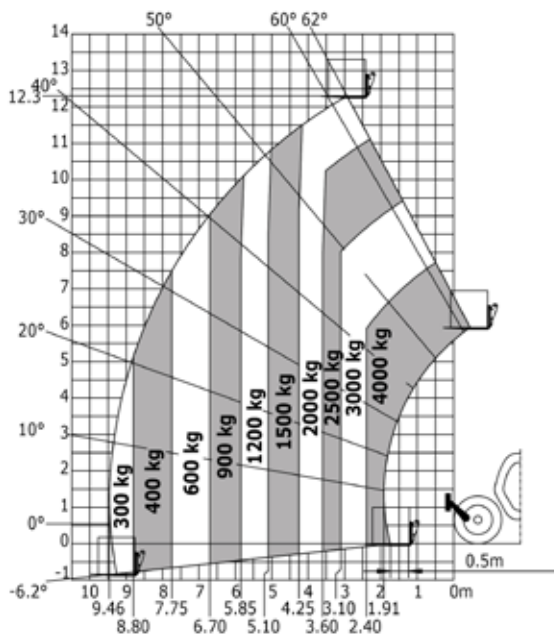


Capacities	Metric
Max. capacity	4000 kg
Max. lift height	13.53 m
Max. reach	9.46 m
Bucket breakout force	8150 daN
Weight and dimensions	
l2 - Overall length of fork carriage	6.13 m
b1 - Overall width	2.37 m
h17 - Overall height	2.45 m
y - Wheelbase	3.07 m
m4 - Ground clearance	0.37 m
Wa1 - Frame outer turning radius	3.97 m
Unladen weight (with forks)	11200 kg
Standard tyres	Pneumatic
Standard forks	1200x125x50
Performances	
Lifting	14 s
Lowering	14 s
Telescope extension	19 s
Retracting the telescope	15 s
Scoop	5 s
Dump	5 s
Engine	
Brand	Perkins
Environmental standards	Stage IV / Tier 4 Final
Number of cylinders - Capacity	4 - 3400 cm <sup>3</sup>
Power	100 hp / 75 kW
Max. torque	430 Nm at 1400 rpm
Laden drawbar pull	10700 daN
Transmission	
Type	Torque Converter
Parking brake	Automatic negative parking brake
Service brake	Oil-Immersed Multi-Discs on Front & Rear Axles
Hydraulics	
Type of pump	Gear pump
Hydraulic flow rate - Pressure	170 l/min - 270 bar
Tank capacities	
Engine oil	13 l
Hydraulic oil	135 l
Fuel	140 l
Noise & vibration	
Noise at driving position (LpA)	78 dB(A)
Noise to environment (LwA)	103 dB(A)
Vibration on hands/arms	2.5 m/s <sup>2</sup>
Miscellaneous	
Steering wheels / Driving wheels	4 / 4
Safety	Standard EN 15000
Controls	JSM



Load chart

Machine on tyres with forks - with levelling





Groundwater Lift Trucks Ltd,  
Spurryhillock Industrial Estate,  
Stonehaven, Aberdeenshire, AB39 2NH  
01569 763247  
sales@groundwater.uk.com  
www.groundwater.uk.com



Siège Social  
430 rue de l'Aubinière - 44150 Ancenis Cedex - France  
Tel: +33(0)2 40 09 10 11 - Fax: +33 (0)2 40 09 10 97  
www.manitou.com



This brochure describes versions and configuration options for Manitou products which may be fitted with different equipment. The equipment described in this brochure may be standard, optional or not available depending on version. Manitou reserves the right to change the specifications shown and described at any time and without prior warning. The manufacturer is not liable for the specifications given. For more information, contact your Manitou dealer. Non-contractual document. Product descriptions may differ from actual products. List of specifications is not comprehensive. The logos and visual identity of the company are the property of Manitou and may not be used without authorisation. All rights reserved. The photos and diagrams contained in this brochure are provided for information only.

MANITOU BF SA - Limited company with board of directors - Share capital: 39,547,824 euros - 857 802 508 RCS Nantes