

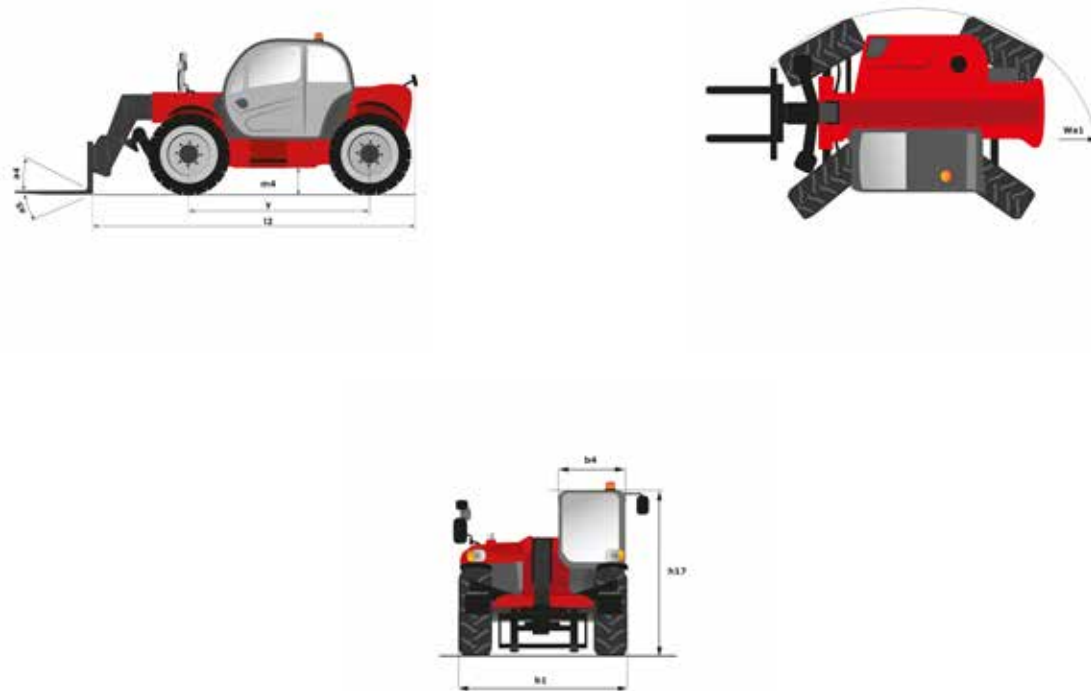
Technical sheet

MT 1135 EASY ST5

Telehandlers

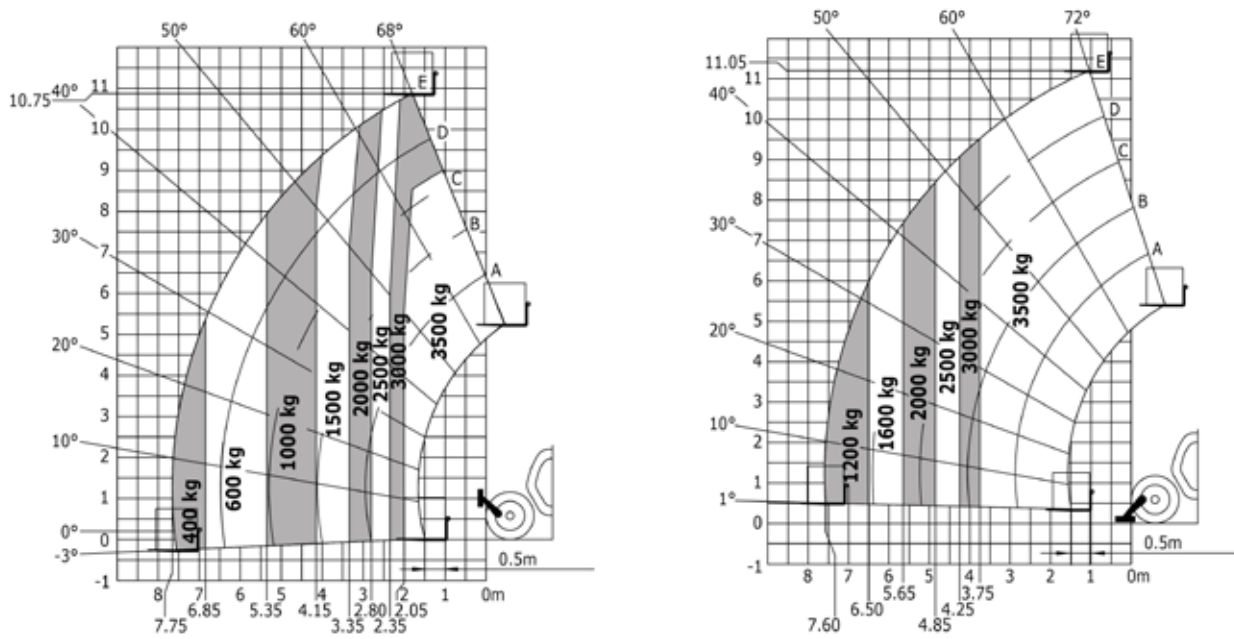


Capacities	Metric
Max. capacity	3500 kg
Max. lift height	11.05 m
Max. reach	7.75 m
Bucket breakout force	6400 daN
Weight and dimensions	
l2 - Overall length of fork carriage	5.37 m
b1 - Overall width	2.28 m
h17 - Overall height	2.42 m
y - Wheelbase	0.89 m
m4 - Ground clearance	0.42 m
b4 - Overall cab width	0.88 m
Wa1 - Frame outer turning radius	3.65 m
Unladen weight (with forks)	8800 kg
Standard tyres	400/80 - 24 - 162A8 - Alliance
Standard forks	1200x125x45
Performances	
Lifting	8.50 s
Lowering	7 s
Telescope extension	13 s
Retracting the telescope	9 s
Scoop	4 s
Dump	4 s
Engine	
Brand	Deutz
Environmental standards	Stage 5 / Tier IV Final
Model	TD 3.6 L
Number of cylinders - Capacity	4 - 3621 cm ³
Power	75 hp / 55.40 kW
Max. torque	330 Nm at 1600 rpm
Laden drawbar pull	8000 daN
Transmission	
Type	Torque Converter
Number of gears (forward/reverse)	4/4
Max. speed of travel (may vary according to the applicable regulation)	25 km/h
Parking brake	Automatic negative parking brake
Service brake	Oil-Immersed Multi-Discs on Front & Rear Axles
Hydraulics	
Type of pump	Gear pump
Hydraulic flow rate - Pressure	125 l/min - 270 bar
Tank capacities	
Engine oil	10 l
Hydraulic oil	140 l
Fuel	120 l
Noise & vibration	
Noise at driving position (LpA)	78 dB(A)
Noise to environment (LwA)	103 dB(A)
Vibration on hands/arms	<2.5 m/s ²
Miscellaneous	
Steering wheels / Driving wheels	4 / 4
Safety	Standard EN 15000 Cab ROPS - FOPS Level 2
Controls	JSM



Load chart

Machine on tyres with forks - with levelling





Groundwater Lift Trucks Ltd,
Spurryhillock Industrial Estate,
Stonehaven, Aberdeenshire, AB39 2NH
01569 763247
sales@groundwater.uk.com
www.groundwater.uk.com



Siège Social
430 rue de l'Aubinière - 44150 Ancenis Cedex - France
Tel: +33(0)2 40 09 10 11 - Fax: +33 (0)2 40 09 10 97
www.manitou.com



This brochure describes versions and configuration options for Manitou products which may be fitted with different equipment. The equipment described in this brochure may be standard, optional or not available depending on version. Manitou reserves the right to change the specifications shown and described at any time and without prior warning. The manufacturer is not liable for the specifications given. For more information, contact your Manitou dealer. Non-contractual document. Product descriptions may differ from actual products. List of specifications is not comprehensive. The logos and visual identity of the company are the property of Manitou and may not be used without authorisation. All rights reserved. The photos and diagrams contained in this brochure are provided for information only.

MANITOU BF SA - Limited company with board of directors - Share capital: 39,547,824 euros - 857 802 508 RCS Nantes