

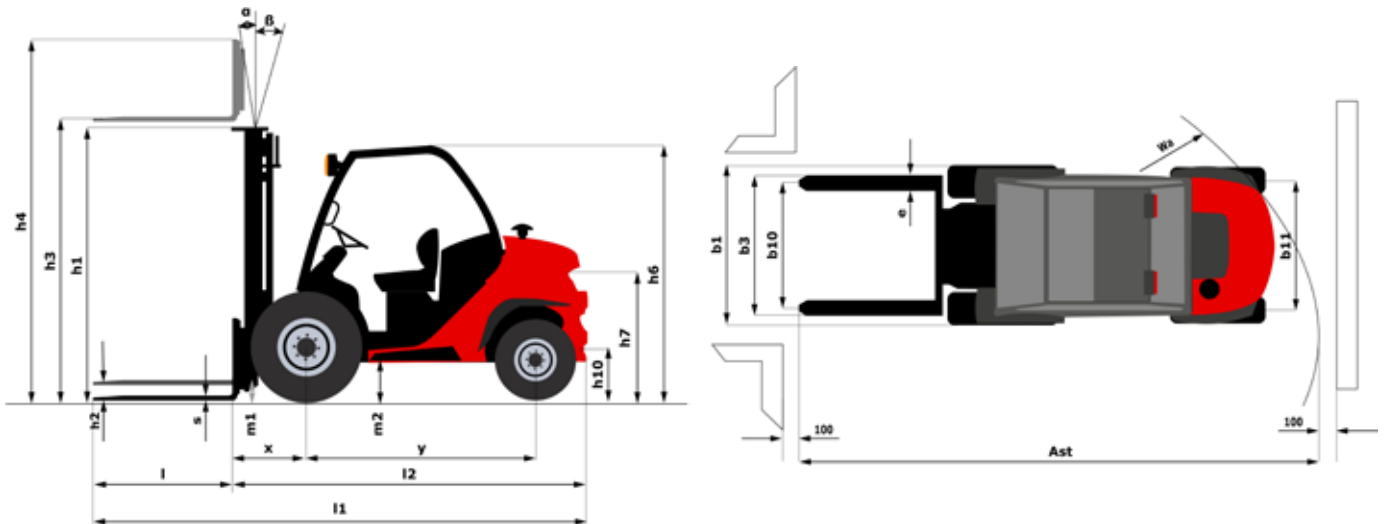
Technical sheet

MSI 25 S5

Masted Forklift Trucks



Technical characteristics		Metric	Imperial
1.1	Manufacturer	Manitou	Manitou
1.2	Model	MSI 25 s5	MSI 25 s5
1.3	Type of traction	Diesel	Diesel
1.4	Type of operation	Seated	Seated
1.5	Q - Rated capacity	2500 kg	5512 lbs
1.6	c - Center of gravity of load	500 mm	1 in
1.9	y - Wheelbase	1900 mm	6 ft
Weight			
2.1	Weight of truck in working order	3875 kg	8543 lbs
2.2	Laden weight on front/rear axle	5510 kg / 865 kg	12147 lbs / 1907 lbs
2.3	Unladen weight on front/rear axle	1533 kg / 2342 kg	3380 lbs / 5163 lbs
Wheels			
3.1	Tyre equipment: bandage (V), PPS (SE), inflatable tyre (L)	mft_Pneumatic	mft_Pneumatic
3.2	Size of front wheels	300-15/18 6T P43	-
3.3	Size of rear wheels	7.00-12/12 ED PLUS	-
3.5	Number of front wheels (x)	2x / 2	2x / 2
3.6	b10 - Front track	1.04 mm	3 in
3.7	b11 - Rear track	1.11 mm	3 in
Dimensions			
4.1	α / β - Front/Rear mast angle	10 ° / 12 °	10 ° / 12 °
4.2	h1 - Height (mast lowered)	2280 mm	7 ft 1 in
4.3	h2 - Free lift	130 mm	1 in
4.4	h3 - Lift height (Duplex mast)	3300 mm	10 ft 1 in
4.5	h4 - Height of extended mast	4095 mm	13 ft 1 in
4.7	h6 - Height of driver protection (cab)	2095 mm	6 ft 1 in
4.8	h7 - Height of seat	972 mm	3 ft
4.19	l1 - Total length	4193 mm	13 ft 1 in
4.20	l2 - Length to fork heel	3043 mm	10 ft
4.21	b1 - Overall width - Single/twinned wheels	1330 mm / -	4 ft / -
4.22	e / s / l - Fork dimensions	1150 X 122 X 40	3.09 x 0.05 x 0.02
4.23	Fork carriage to DIN 15173 A/B	FEM 2A	FEM 2A
4.24	b3 - Width of fork clamp	1260 mm	4 ft
4.31	m1 - Ground clearance under mast	260 mm	1 in
4.33	Ast - Aisle width for 1000 x 1200 pallet widthwise	4591 mm	15 ft
4.35	Wa - Turning radius	2620 mm	8 ft 1 in
Performances			
5.1	Speed of travel laden / unladen	18 km/h / 22 km/h	11.18 mph / 13.67 mph
5.2	Lifting speed laden / unladen	0.50 m/s / 0.50 m/s	1.08 ft/s / 1.08 ft/s
5.3	Lowering speed laden / unladen	0.50 m/s / 0.30 m/s	1.08 ft/s / 1 ft/s
5.10	Service brake	Hydraulic	Hydraulic
Engine			
7.1	Engine manufacturer / Type	Kubota / Stage 3A	Kubota / Stage 3A
7.2	Useful power	36.50 kW	36.50 kW
7.3	Rated speed	2700 rpm	2700 rpm
7.4	Number of pistons / Capacity	4 / 2434 cm ³	4 /
7.5	Fuel consumption according to VDI cycle	5.20 l/h	1.37 gph
Miscellaneous			
8.3	Oil flow rate for attachments	71 l/min	18.76 gpm



Characteristics of masts and residual capacities

Full Visibility Duplex		FVD27	FVD30	FVD33	FVD35	FVD37	FVD40	FVD45	FVD50	FVD55	FVD60
Lift height	mm	2700	3000	3300	3500	3700	4000	4500	5000	5500	6000
Height (mast lowered)	mm	2000	2150	2300	2400	2560	2750	3000	3250	3500	3790
Free lift	mm	90	90	90	90	90	90	90	90	90	90
Height of extended mast	mm	3536	3836	4095	4336	4536	4836	5336	5836	6336	6836
Residual Capacity without attachment (Industrial load chart)	kg	2500	2500	2500	2500	2500					
Forward/backward mast tilt angle	°	10 / 12	10 / 12	10 / 12	10 / 12	10 / 12	10 / 12	10 / 12	6 / 6	6 / 6	6 / 6

Full Visibility Triplex		FVT33
Lift height	mm	3300
Height (mast lowered)	mm	1840
Free lift	mm	90
Height of extended mast	mm	4075
Residual Capacity without attachment (Industrial load chart)	kg	2500
Forward/backward mast tilt angle	°	10 / 12

Free Lift Triplex		FLT37	FLT40	FLT43	FLT47	FLT50	FLT55
Lift height	mm	3700	4000	4300	4700	5000	5500
Height (mast lowered)	mm	1950	2050	2150	2300	2400	2560
Free lift	mm	1216	1316	1416	1566	1666	1826
Height of extended mast	mm	4474	4774	5074	5474	5774	6274
Residual Capacity without attachment (Industrial load chart)	kg	2500					
Forward/backward mast tilt angle	°	10 / 12	10 / 12	10 / 12	10 / 12	6 / 6	6 / 6



Groundwater Lift Trucks Ltd,
Spurryhillock Industrial Estate,
Stonehaven, Aberdeenshire, AB39 2NH
01569 763247
sales@groundwater.uk.com
www.groundwater.uk.com



Siège Social
430 rue de l'Aubinière - 44150 Ancenis Cedex - France
Tel: +33(0)2 40 09 10 11 - Fax: +33 (0)2 40 09 10 97
www.manitou.com



This brochure describes versions and configuration options for Manitou products which may be fitted with different equipment. The equipment described in this brochure may be standard, optional or not available depending on version. Manitou reserves the right to change the specifications shown and described at any time and without prior warning. The manufacturer is not liable for the specifications given. For more information, contact your Manitou dealer. Non-contractual document. Product descriptions may differ from actual products. List of specifications is not comprehensive. The logos and visual identity of the company are the property of Manitou and may not be used without authorisation. All rights reserved. The photos and diagrams contained in this brochure are provided for information only.

MANITOU BF SA - Limited company with board of directors - Share capital: 39,547,824 euros - 857 802 508 RCS Nantes