

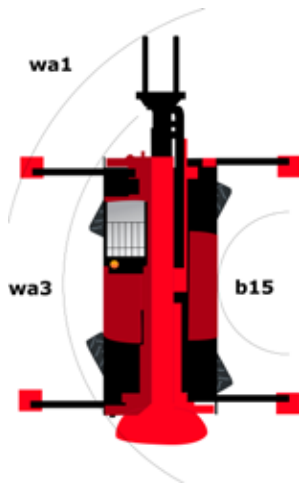
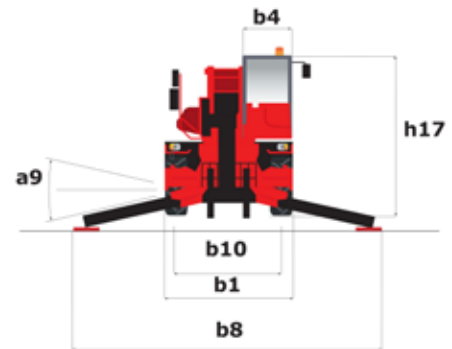
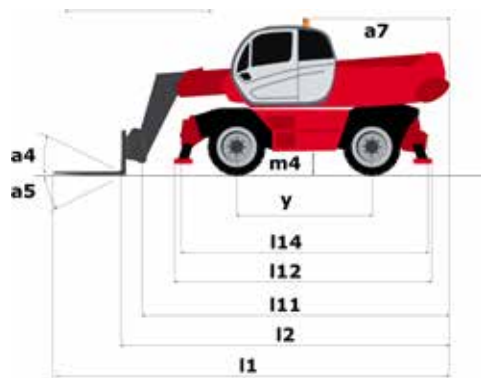
Technical sheet

MRT 1440 EASY T4 S2 400

Rotating Telehandlers

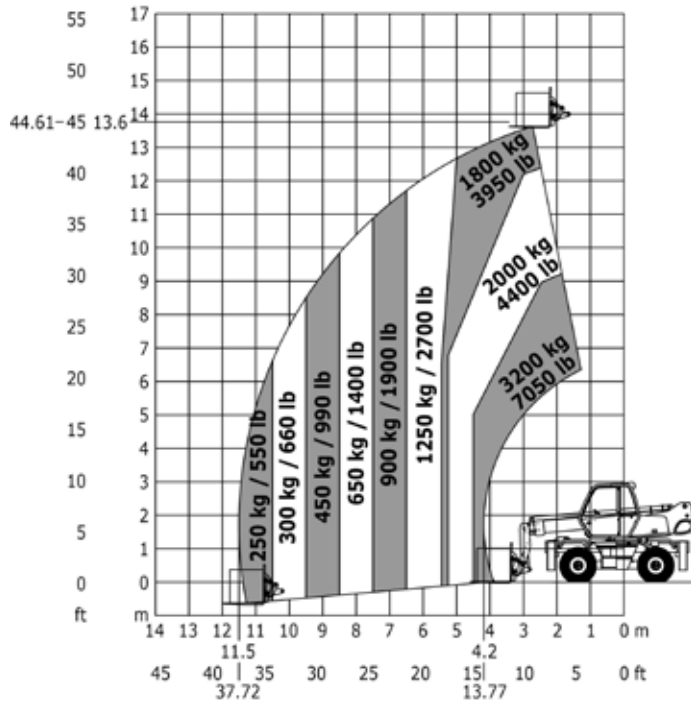


| Capacities | Metric |
|--|----------------------------------|
| Max. capacity | 4000 kg |
| Max. lift height | 13.80 m |
| Max. reach | 11.50 m |
| Dimensions | |
| l2 - Length to fork heel | 5.35 m |
| l1 - Overall length | 6.55 m |
| b1 - Overall machine width | 2.40 m |
| b7 - Overall width with stabilisers extended | 3.98 m |
| h17 - Overall height | 2.97 m |
| Wa3 - - Frame outer turning radius | 3.90 m |
| m4 - Machine ground clearance | 0.34 m |
| a4 - Tilt-up angle | 12 ° |
| a5 - Tilt-down angle | 105 ° |
| Standard tyres | Pneumatic |
| Standard forks | 1200x150x50 |
| Weight | 12825 kg |
| Stabilisers | |
| Type | Wing Type |
| Controls | Individual or Simultaneous |
| Engine | |
| Brand | Perkins |
| Environmental standards | 854 E-E 34 TA |
| Power | 74 hp / 55 kW |
| Max. torque | 424 Nm at 1200 rpm |
| Number of cylinders - Capacity | 4 - 3400 cm ³ |
| Injection | Direct |
| Cooling | by Water |
| Transmission | |
| Type | Hydrostatic |
| Max. speed of travel (may vary according to the applicable regulation) | 25 km/h |
| Drawbar pull | 8600 daN |
| Parking brake | Automatic negative parking brake |
| Service brake | Hydraulic |
| Hydraulics | |
| Type of pump | Gear pump |
| Hydraulic flow rate | 115 l/min |
| Pressure | 270 bar |
| Tank capacities | |
| Hydraulic oil | 150 l |
| Fuel | 130 l |
| Noise & vibration | |
| Noise at driving position (LpA) | 79.70 dB(A) |
| Noise to environment (LwA) | 104 dB(A) |
| Vibration on hands/arms | <2.50 m/s ² |

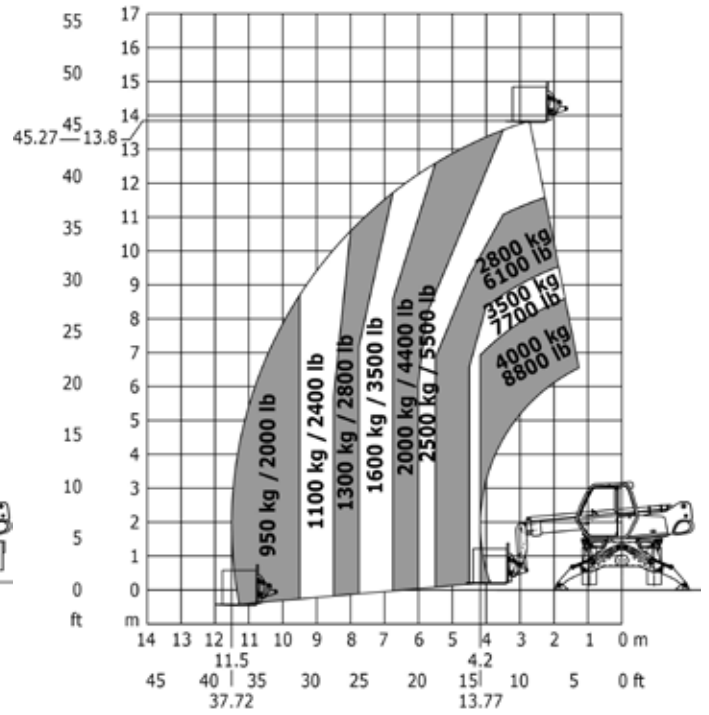


| Other data | Metric |
|--|--------|
| l12 - Overall length at stabilisers | 4.13 m |
| b7 - Overall width with stabilisers extended | 3.98 m |
| b4 - Overall cab width | 0.95 m |
| l14 - Length of frame | 4.35 m |
| y - Wheelbase | 2.32 m |
| a4 - Tilt-up angle | 12 ° |
| a5 - Tilt-down angle | 105 ° |
| a7 - Counterweight offset (turret at 90°) | 2.04 m |
| b10 - Front wheel gauge (middle of wheels) | 1.93 m |
| Wa1 - Outer turning radius (with forks) | 3.90 m |
| b15- Inside turning radius | 1.30 m |

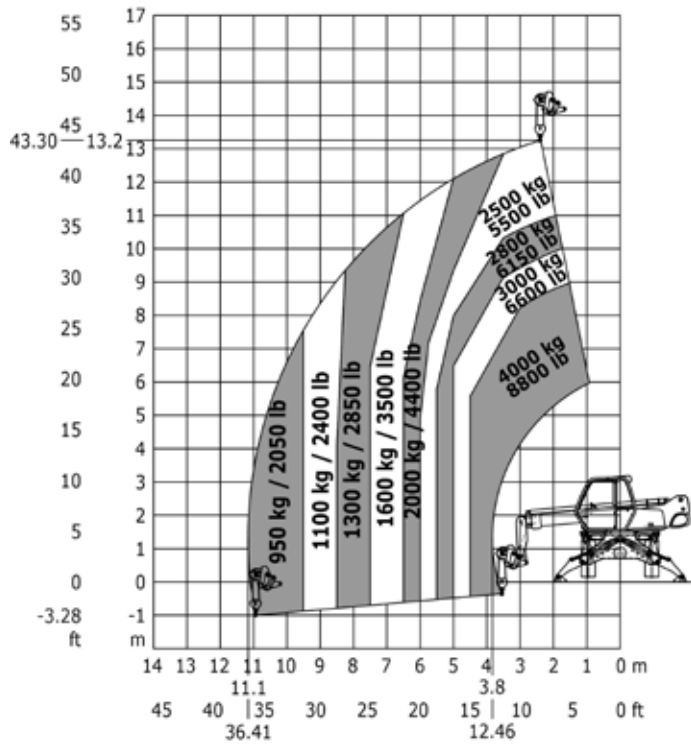
Machine on tyres with forks



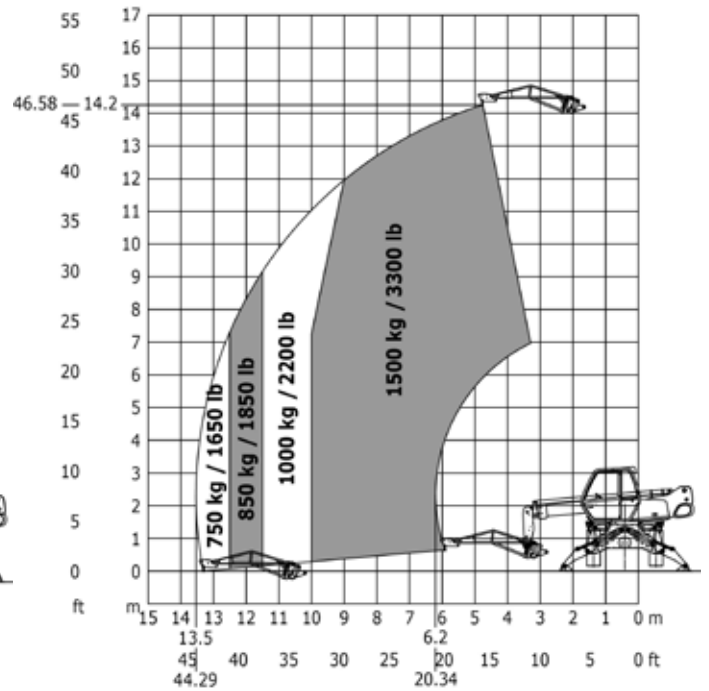
Rotation on lowered stabilisers with forks



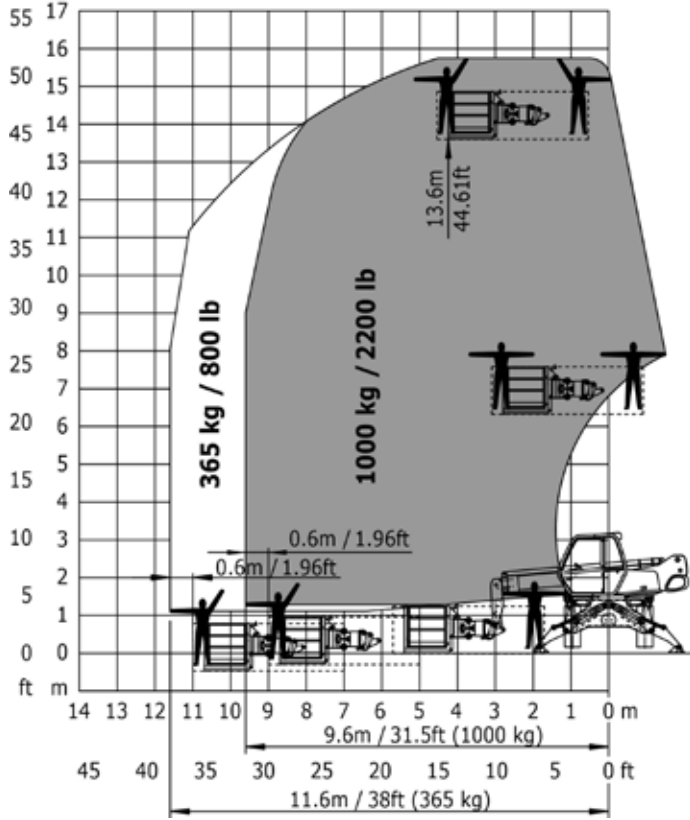
Rotation on lowered stabilisers with 365/1000 kg platform



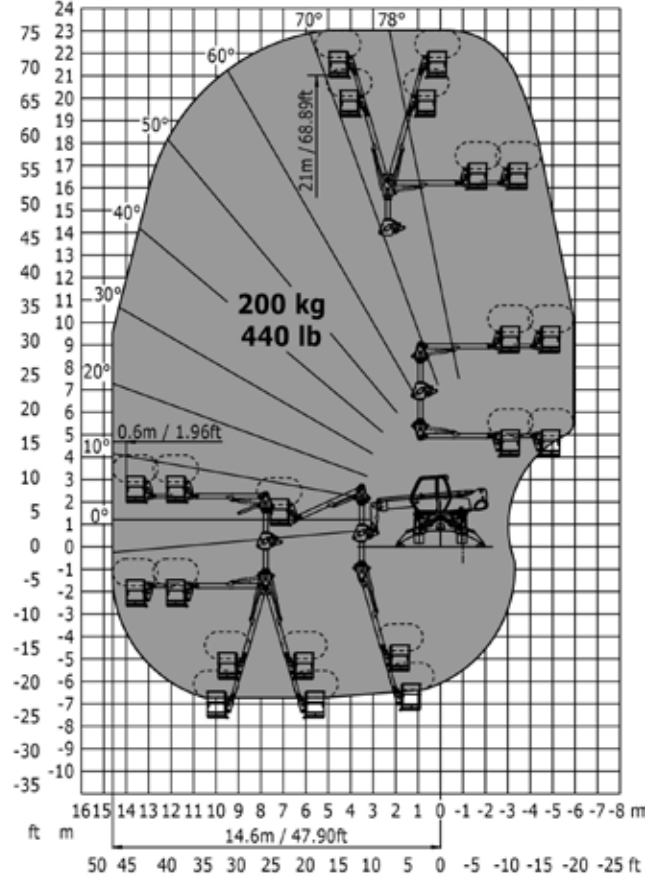
Rotation on lowered stabilisers with 1500 kg jib



Rotation on lowered stabilisers with 365/1000 kg platform



Rotation on lowered stabilisers with 3D positive / negative





Groundwater Lift Trucks Ltd,
Spurryhillock Industrial Estate,
Stonehaven, Aberdeenshire, AB39 2NH
01569 763247
sales@groundwater.uk.com
www.groundwater.uk.com



Siège Social
430 rue de l'Aubinière - 44150 Ancenis Cedex - France
Tel: +33(0)2 40 09 10 11 - Fax: +33 (0)2 40 09 10 97
www.manitou.com



This brochure describes versions and configuration options for Manitou products which may be fitted with different equipment. The equipment described in this brochure may be standard, optional or not available depending on version. Manitou reserves the right to change the specifications shown and described at any time and without prior warning. The manufacturer is not liable for the specifications given. For more information, contact your Manitou dealer. Non-contractual document. Product descriptions may differ from actual products. List of specifications is not comprehensive. The logos and visual identity of the company are the property of Manitou and may not be used without authorisation. All rights reserved. The photos and diagrams contained in this brochure are provided for information only.

MANITOU BF SA - Limited company with board of directors - Share capital: 39,547,824 euros - 857 802 508 RCS Nantes