

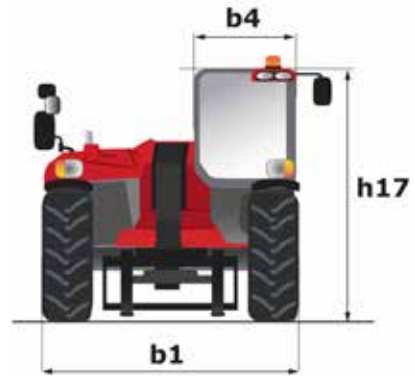
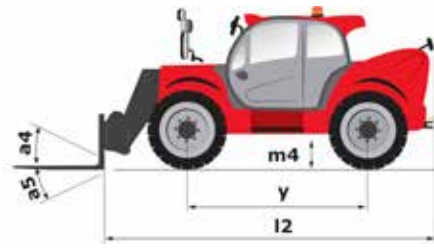
Technical sheet

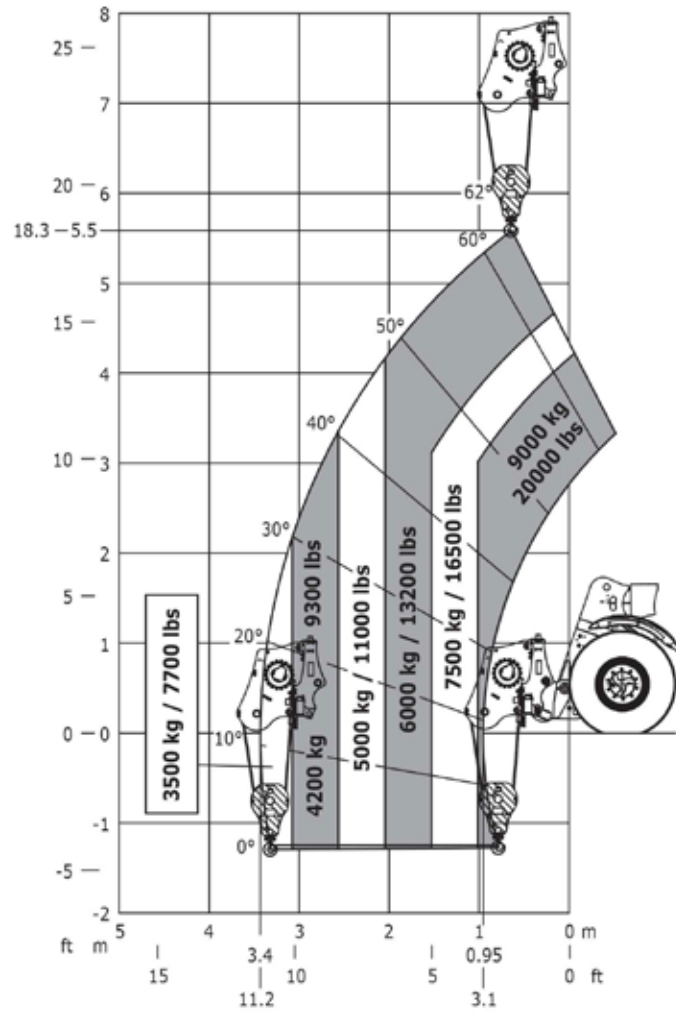
MHT 790

Telehandlers



Capacities	Metric
Max. capacity	9000 kg
Max. lift height	6.84 m
Max. reach	3.72 m
Weight and dimensions	
l2 - Overall length of fork carriage	5.27 m
b1 - Overall width	2.47 m
h17 - Overall height	2.47 m
y - Wheelbase	2.87 m
m4 - Ground clearance	0.40 m
b4 - Overall cab width	0.93 m
a4 - Tilt-up angle	12 °
a5 - Tilt-down angle	125 °
Wa1 - Frame outer turning radius	5.59 m
Unladen weight (with forks)	13160 kg
Standard forks	1200x200x60
Performances	
Lifting	9.20 s
Lowering	7.80 s
Telescope extension	6.60 s
Retracting the telescope	6.10 s
Scoop	5.30 s
Dump	5.10 s
Engine	
Brand	John Deere
Environmental standards	Stage IV / Tier 4 Final
Model	4045PWL
Number of cylinders - Capacity	4 - 4500 cm ³
Power	141 hp / 104 kW
Max. torque	534 Nm at 1500 rpm
Laden drawbar pull	10905 daN
Transmission	
Type	Hydrostatic
Number of gears (forward/reverse)	2/2
Max. speed of travel (may vary according to the applicable regulation)	31 km/h
Parking brake	Automatic negative parking brake
Service brake	Hydraulic
Hydraulics	
Type of pump	Load sensing pump
Hydraulic flow rate - Pressure	180 l/min - 270 bar
Tank capacities	
Engine oil	13 l
Hydraulic oil	148 l
Fuel	147 l
AdBlue® Diesel Exhaust Fluid (DEF)	12 l
Noise & vibration	
Noise at driving position (LpA)	79.70 dB(A)
Noise to environment (LwA)	103 dB(A)
Vibration on hands/arms	<2.5 m/s ²
Miscellaneous	
Steering wheels / Driving wheels	4 / 4
Safety	Standard EN 15000 Cab ROPS - FOPS Level 2
Controls	JSM







Groundwater Lift Trucks Ltd,
Spurryhillock Industrial Estate,
Stonehaven, Aberdeenshire, AB39 2NH
01569 763247
sales@groundwater.uk.com
www.groundwater.uk.com



Siège Social
430 rue de l'Aubinière - 44150 Ancenis Cedex - France
Tel: +33(0)2 40 09 10 11 - Fax: +33 (0)2 40 09 10 97
www.manitou.com



This brochure describes versions and configuration options for Manitou products which may be fitted with different equipment. The equipment described in this brochure may be standard, optional or not available depending on version. Manitou reserves the right to change the specifications shown and described at any time and without prior warning. The manufacturer is not liable for the specifications given. For more information, contact your Manitou dealer. Non-contractual document. Product descriptions may differ from actual products. List of specifications is not comprehensive. The logos and visual identity of the company are the property of Manitou and may not be used without authorisation. All rights reserved. The photos and diagrams contained in this brochure are provided for information only.

MANITOU BF SA - Limited company with board of directors - Share capital: 39,547,824 euros - 857 802 508 RCS Nantes