

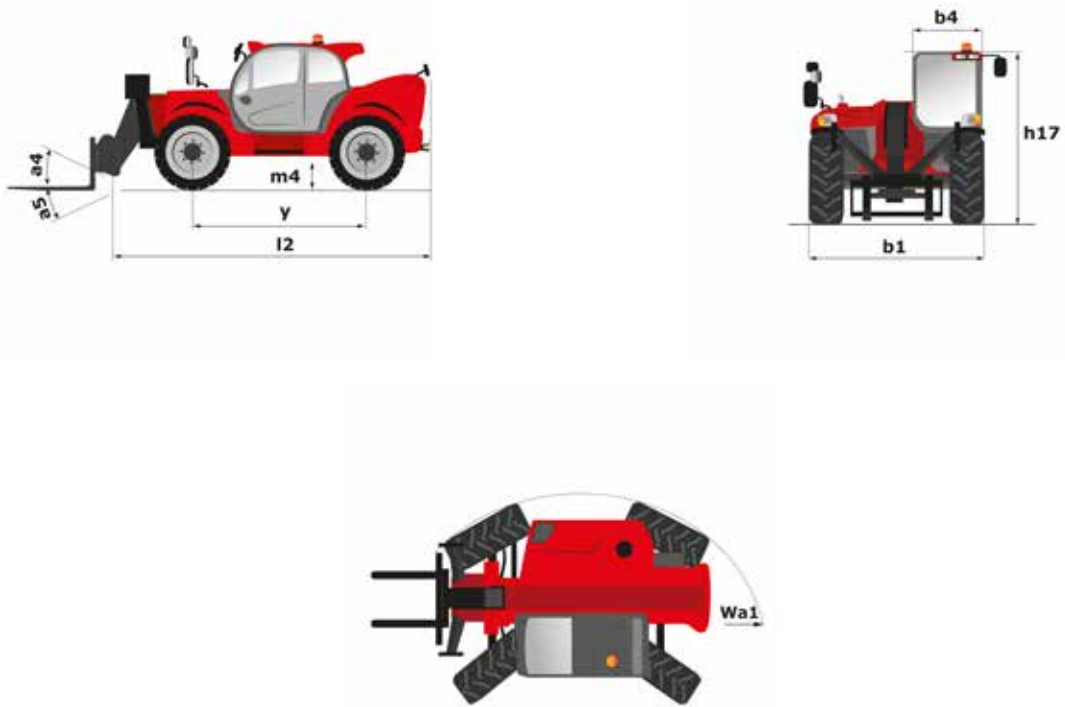
Technical sheet

# **MHT 14350**

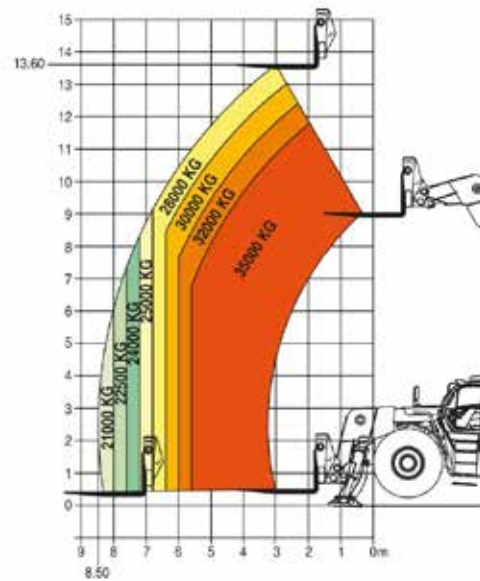
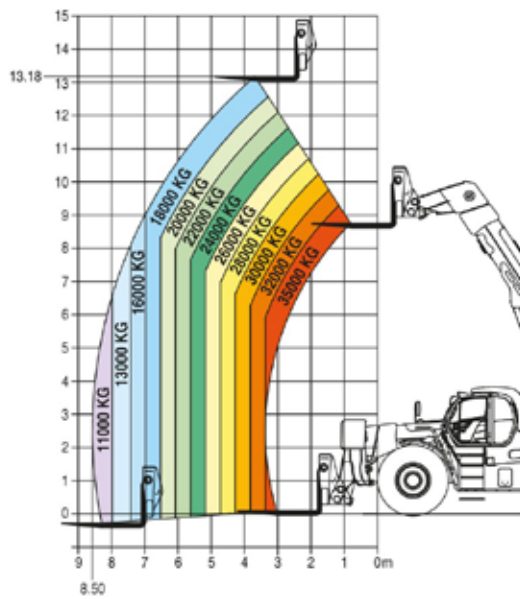
Telehandlers



Capacities	Metric	Imperial
Max. capacity	35000 kg	77162 lbs
Max. lift height	13.60 m	44 ft 7 in
Max. reach	8.50 m	27 ft 11 in
Weight and dimensions		
l2 - Overall length of fork carriage	10.93 m	35 ft 11 in
b1 - Overall width	3.53 m	11 ft 7 in
h17 - Overall height	3.82 m	12 ft 7 in
y - Wheelbase	5.70 m	18 ft 8 in
m4 - Ground clearance	0.69 m	2 ft 3 in
Wa1 - Frame outer turning radius	7.32 m	20 ft
Unladen weight (with forks)	69000 kg	152118 lbs
Standard tyres	Pneumatic	Pneumatic
Standard forks	2400x300x135	7.87x0.98x0.44
Engine		
Brand	Mercedes	Mercedes
Environmental standards	Stage IV / Tier 4 Final	Stage IV / Tier 4 Final
Model	OM 936 LA	OM 936 LA
Number of cylinders - Capacity	6 - 7200 cm <sup>3</sup>	6 - 439 in <sup>3</sup>
Power	350 hp / 260 kW	350 hp / 260 kW
Max. torque	1400 Nm at 1600 rpm	1033 ft.lbs at 1600 rpm
Laden drawbar pull	33000 daN	74186.95 lbf
Transmission		
Type	Hydrostatic	Hydrostatic
Number of gears (forward/reverse)	3/3	3/3
Max. speed of travel (may vary according to the applicable regulation)	25 km/h	15 mph
Parking brake	Automatic negative parking brake	Automatic negative parking brake
Service brake	Hydraulic	Hydraulic
Hydraulics		
Type of pump	Load sensing pump	Load sensing pump
Hydraulic flow rate - Pressure	400 l/min - 350 bar	106 gpm - 5070 psi
Tank capacities		
Engine oil	760 l	201 US gal.
Hydraulic oil	760 l	200 US gal.
Fuel	720 l	190 US gal.
AdBlue® Diesel Exhaust Fluid (DEF)	63 l	16.60 US gal.
Noise & vibration		
Noise at driving position (LpA)	80 dB(A)	80 dB(A)
Noise to environment (LwA)	107 dB(A)	107 dB(A)
Vibration on hands/arms	2.5 m/s <sup>2</sup>	-
Miscellaneous		
Steering wheels / Driving wheels	4 / 4	4 / 4
Safety	Standard EN 15000 Cab ROPS - FOPS Level 2	Standard EN 15000 Cab ROPS - FOPS Level 2
Controls	JSM	JSM



Load chart





Groundwater Lift Trucks Ltd,  
Spurryhillock Industrial Estate,  
Stonehaven, Aberdeenshire, AB39 2NH  
01569 763247  
sales@groundwater.uk.com  
www.groundwater.uk.com



Siège Social  
430 rue de l'Aubinière - 44150 Ancenis Cedex - France  
Tel: +33(0)2 40 09 10 11 - Fax: +33 (0)2 40 09 10 97  
www.manitou.com



This brochure describes versions and configuration options for Manitou products which may be fitted with different equipment. The equipment described in this brochure may be standard, optional or not available depending on version. Manitou reserves the right to change the specifications shown and described at any time and without prior warning. The manufacturer is not liable for the specifications given. For more information, contact your Manitou dealer. Non-contractual document. Product descriptions may differ from actual products. List of specifications is not comprehensive. The logos and visual identity of the company are the property of Manitou and may not be used without authorisation. All rights reserved. The photos and diagrams contained in this brochure are provided for information only.

MANITOU BF SA - Limited company with board of directors - Share capital: 39,547,824 euros - 857 802 508 RCS Nantes