

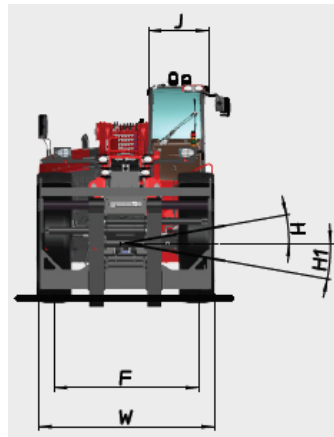
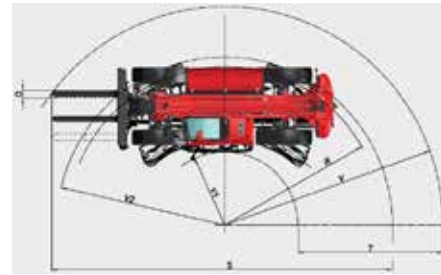
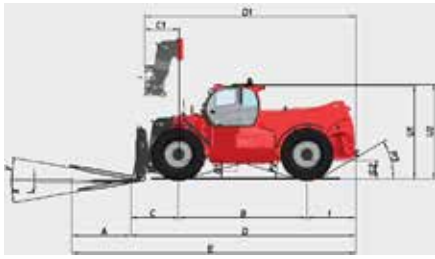
Technical sheet

# **MHT 12330**

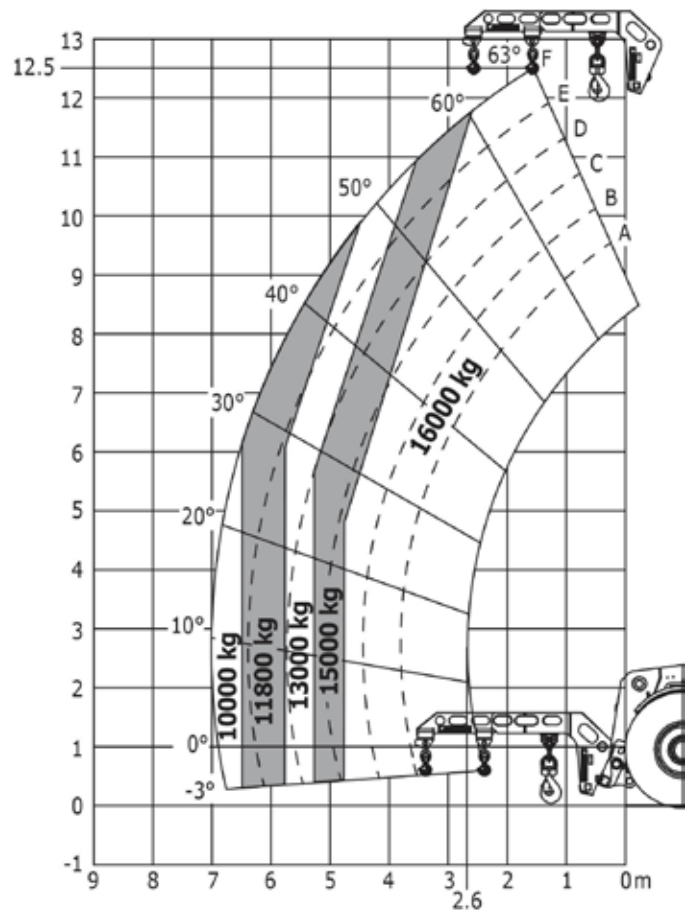
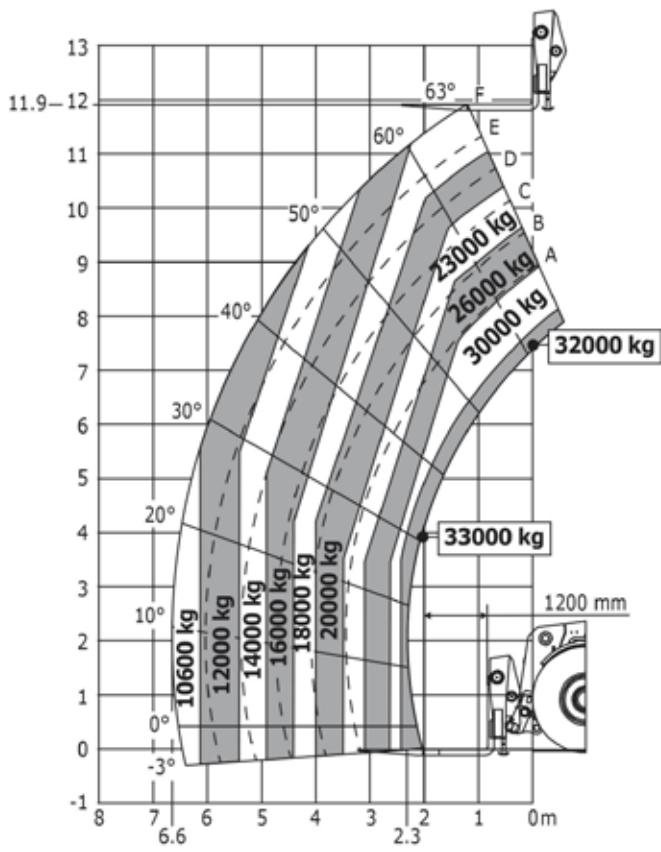
Telehandlers

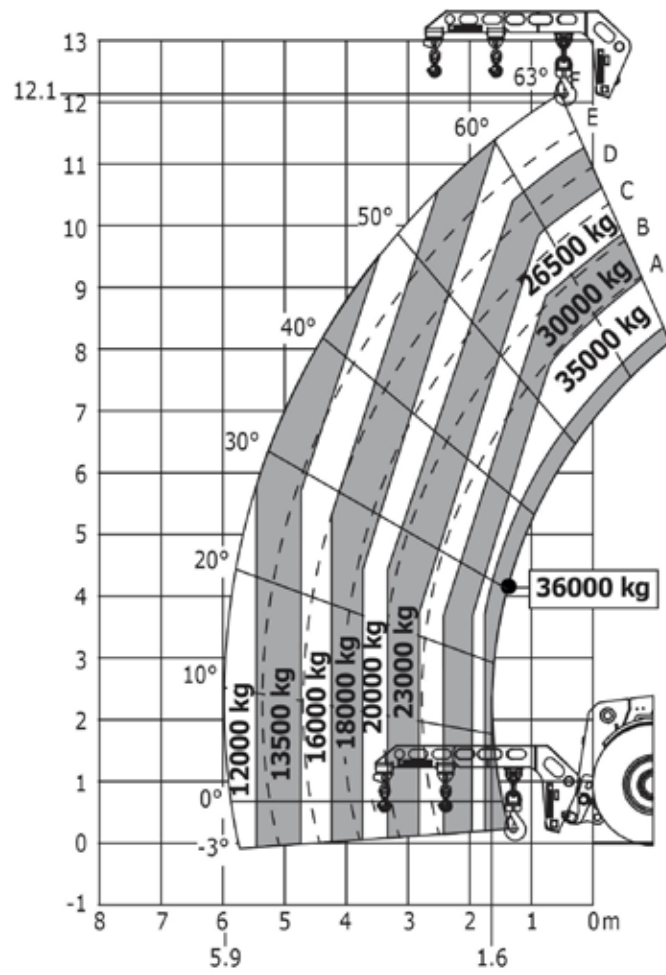


Capacities	Metric
Max. capacity	33000 kg
Max. lift height	11.92 m
Max. reach	6.60 m
Weight and dimensions	
l2 - Overall length of fork carriage	10.77 m
b1 - Overall width	2.98 m
h17 - Overall height	3.60 m
y - Wheelbase	4.90 m
m4 - Ground clearance	0.59 m
b4 - Overall cab width	0.97 m
Wa1 - Frame outer turning radius	7.42 m
Unladen weight (with forks)	49000 kg
Standard forks	2400 x 250 x 110
Performances	
Lifting	40 s
Lowering	39 s
Telescope extension	17 s
Retracting the telescope	25 s
Scoop	10.40 s
Dump	9.50 s
Engine	
Brand	Deutz
Environmental standards	Stage 5 / Tier IV Final
Model	TCD 6.1 L6
Number of cylinders - Capacity	6 -
Power	245 hp / 180 kW
Max. torque	1000 Nm at 1450 rpm
Laden drawbar pull	28400 daN
Transmission	
Type	Hydrostatic
Number of gears (forward/reverse)	3/3
Max. speed of travel (may vary according to the applicable regulation)	25 km/h
Parking brake	Automatic negative parking brake
Service brake	Hydraulic oil immersed multi-disc braking on front & rear axles
Hydraulics	
Type of pump	Load sensing pump
Hydraulic flow rate - Pressure	310 l/min - 350 bar
Tank capacities	
Engine oil	21 l
Hydraulic oil	570 l
Fuel	600 l
AdBlue® Diesel Exhaust Fluid (DEF)	-
Noise & vibration	
Noise at driving position (LpA)	80 dB(A)
Noise to environment (LwA)	107 dB(A)
Vibration on hands/arms	<2.5 m/s <sup>2</sup>
Miscellaneous	
Steering wheels / Driving wheels	4 / 4
Safety	Standard EN 15000 Cab ROPS - FOPS Level 2
Controls	JSM



# Load chart







Groundwater Lift Trucks Ltd,  
Spurryhillock Industrial Estate,  
Stonehaven, Aberdeenshire, AB39 2NH  
01569 763247  
sales@groundwater.uk.com  
www.groundwater.uk.com



Siège Social  
430 rue de l'Aubinière - 44150 Ancenis Cedex - France  
Tel: +33(0)2 40 09 10 11 - Fax: +33 (0)2 40 09 10 97  
www.manitou.com



This brochure describes versions and configuration options for Manitou products which may be fitted with different equipment. The equipment described in this brochure may be standard, optional or not available depending on version. Manitou reserves the right to change the specifications shown and described at any time and without prior warning. The manufacturer is not liable for the specifications given. For more information, contact your Manitou dealer. Non-contractual document. Product descriptions may differ from actual products. List of specifications is not comprehensive. The logos and visual identity of the company are the property of Manitou and may not be used without authorisation. All rights reserved. The photos and diagrams contained in this brochure are provided for information only.

MANITOU BF SA - Limited company with board of directors - Share capital: 39,547,824 euros - 857 802 508 RCS Nantes