

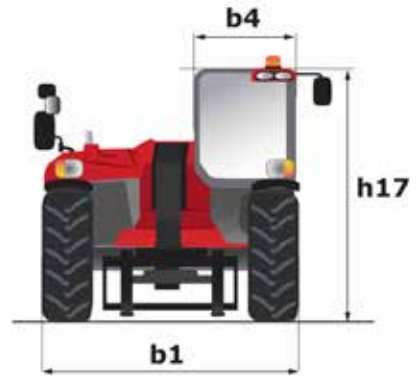
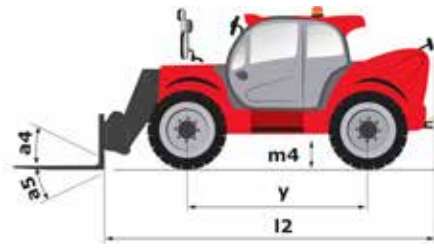
Technical sheet

MHT 10130

Telehandlers

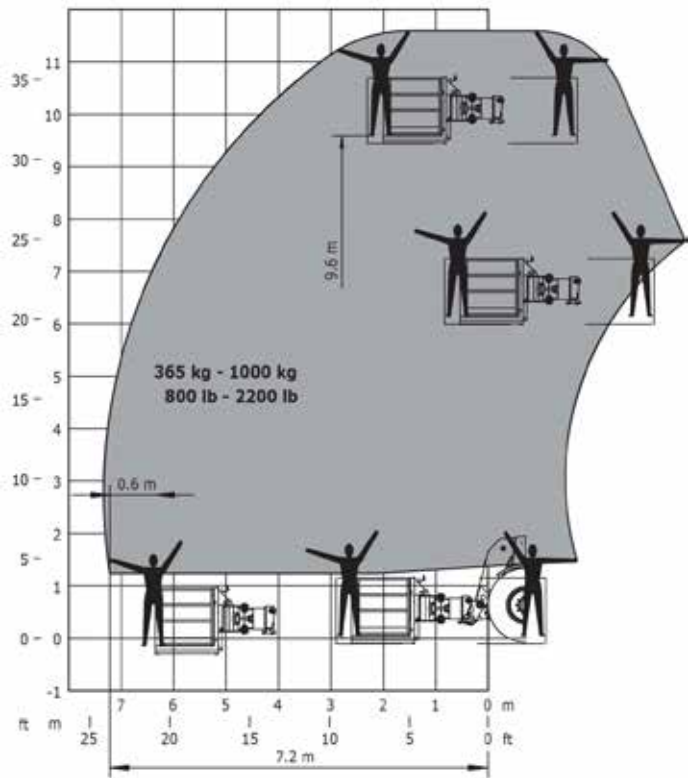
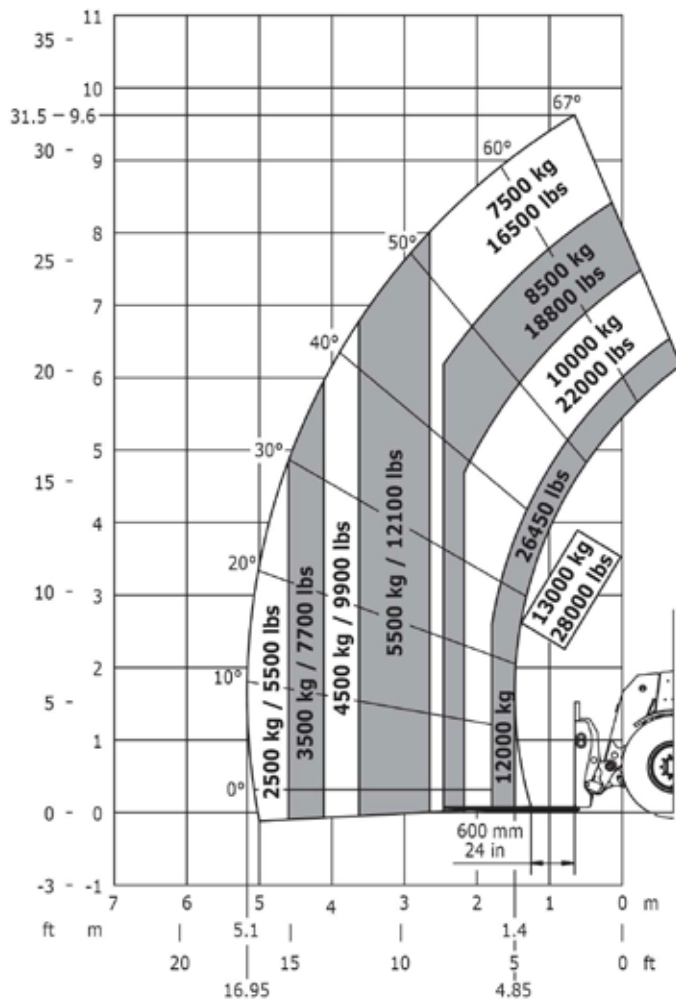


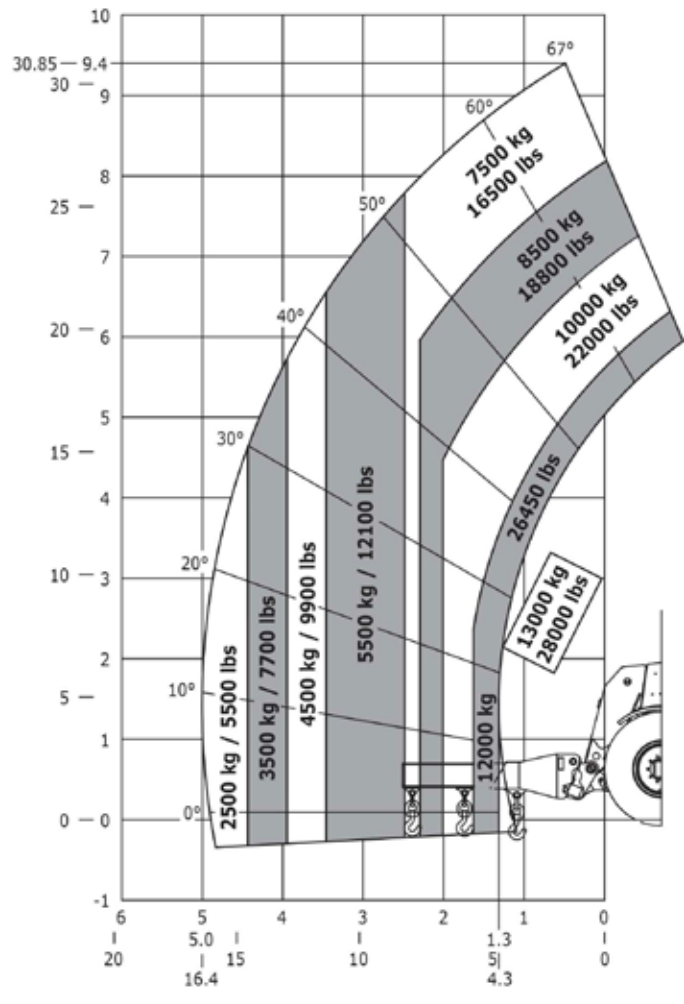
Capacities	Metric
Max. capacity	13000 kg
Max. lift height	9.62 m
Max. reach	5.17 m
Weight and dimensions	
l2 - Overall length of fork carriage	6.14 m
b1 - Overall width	2.51 m
h17 - Overall height	2.99 m
y - Wheelbase	3.37 m
m4 - Ground clearance	0.44 m
b4 - Overall cab width	0.93 m
a4 - Tilt-up angle	18 °
a5 - Tilt-down angle	117 °
Wa1 - Frame outer turning radius	5.34 m
Unladen weight (with forks)	18490 kg
Standard forks	1200 x 200 x 70
Performances	
Lifting	15.20 s
Lowering	13.80 s
Telescope extension	16.10 s
Retracting the telescope	10 s
Scoop	6.60 s
Dump	5.30 s
Engine	
Brand	Mercedes
Environmental standards	Stage IV / Tier 4 Final
Model	OM 934 LA, E4-3
Number of cylinders - Capacity	4 - 5100 cm ³
Power	176 hp / 129 kW
Max. torque	750 Nm at 1600 rpm
Laden drawbar pull	10800 daN
Transmission	
Type	Hydrostatic
Number of gears (forward/reverse)	2/2
Max. speed of travel (may vary according to the applicable regulation)	31 km/h
Parking brake	Automatic negative parking brake
Service brake	Oil-Immersed Multi-Discs on Front & Rear Axles
Hydraulics	
Type of pump	Variable Flow
Hydraulic flow rate - Pressure	180 l/min - 300 bar
Tank capacities	
Engine oil	21 l
Hydraulic oil	290 l
Fuel	315 l
AdBlue® Diesel Exhaust Fluid (DEF)	63 l
Noise & vibration	
Noise at driving position (LpA)	80 dB(A)
Noise to environment (LwA)	107 dB(A)
Vibration on hands/arms	2.5 m/s ²
Miscellaneous	
Steering wheels / Driving wheels	4 / 4
Safety	Cab ROPS - FOPS Level 2
Controls	JSM



Load chart

Machine on tyres with forks - CoG 600 mm







Groundwater Lift Trucks Ltd,
Spurryhillock Industrial Estate,
Stonehaven, Aberdeenshire, AB39 2NH
01569 763247
sales@groundwater.uk.com
www.groundwater.uk.com



Siège Social
430 rue de l'Aubinière - 44150 Ancenis Cedex - France
Tel: +33(0)2 40 09 10 11 - Fax: +33 (0)2 40 09 10 97
www.manitou.com



This brochure describes versions and configuration options for Manitou products which may be fitted with different equipment. The equipment described in this brochure may be standard, optional or not available depending on version. Manitou reserves the right to change the specifications shown and described at any time and without prior warning. The manufacturer is not liable for the specifications given. For more information, contact your Manitou dealer. Non-contractual document. Product descriptions may differ from actual products. List of specifications is not comprehensive. The logos and visual identity of the company are the property of Manitou and may not be used without authorisation. All rights reserved. The photos and diagrams contained in this brochure are provided for information only.

MANITOU BF SA - Limited company with board of directors - Share capital: 39,547,824 euros - 857 802 508 RCS Nantes