

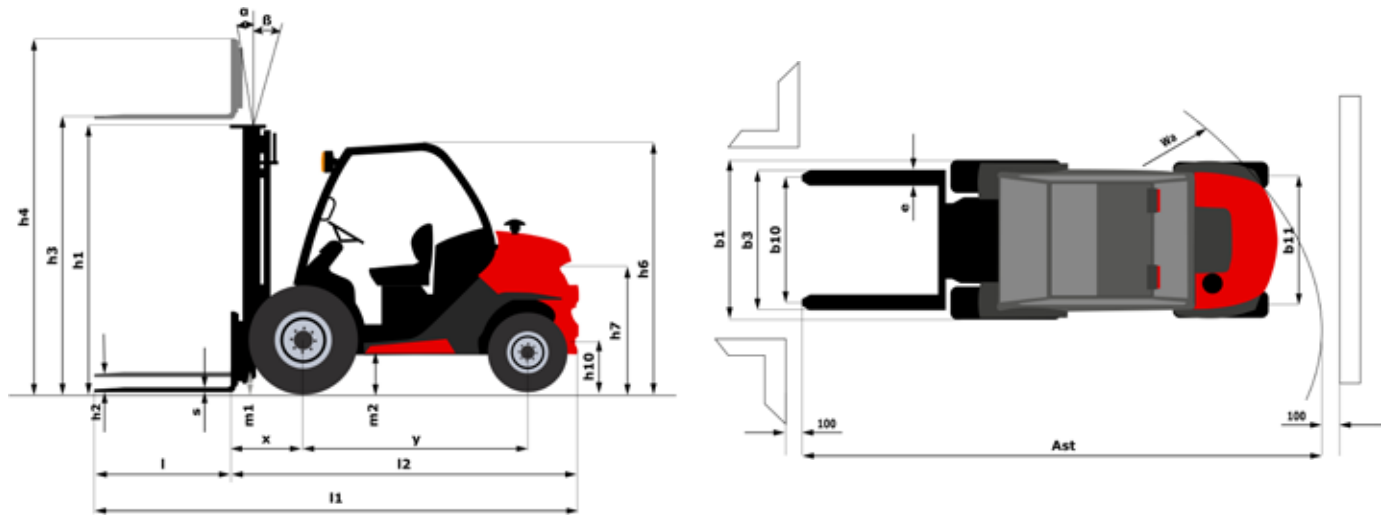
Technical sheet

# MC 18-2

Masted Forklift Trucks



Technical characteristics		Metric	Imperial
1.1	Manufacturer	Manitou	Manitou
1.2	Model	MC 18-2	MC 18-2
1.3	Type of traction	Diesel	Diesel
1.4	Type of operation	Seated	Seated
1.5	Q - Rated capacity	1800 kg	3960 lbs
1.6	c - Center of gravity of load	500 mm	1 ft 8 in
1.8	x - Distance from the load bearing surface to the centre of the front axle	616 mm	2 ft
1.9	y - Wheelbase	1900 mm	6 ft 3 in
Weight			
2.1	Weight of truck in working order	3405 kg	7491 lbs
2.2	Laden weight on front/rear axle	4555 kg / 650 kg	10021 lbs / 1430 lbs
2.3	Unladen weight on front/rear axle	1625 kg / 1780 kg	3575 lbs / 3916 lbs
Wheels			
3.1	Tyre equipment: bandage (V), PPS (SE), inflatable tyre (L)	L	L
3.5	Number of front wheels (x)	2x / 2	2x / 2
3.6	b10 - Front track	1.16 mm	4 in
3.7	b11 - Rear track	1.11 mm	4 in
Dimensions			
4.1	$\alpha$ / $\beta$ - Front/Rear mast angle	10 ° / 12 °	10 ° / 12 °
4.2	h1 - Height (mast lowered)	1990 mm	6 ft 6 in
4.3	h2 - Free lift	90 mm	3 in
4.4	h3 - Lift height (Duplex mast)	3300 mm	10 ft 10 in
4.5	h4 - Height of extended mast	4180 mm	13 ft 8 in
4.7	h6 - Height of driver protection (cab)	2155 mm	7 ft 1 in
4.8	h7 - Height of seat	1030 mm	3 ft 5 in
4.19	l1 - Total length	4050 mm	13 ft 3 in
4.20	l2 - Length to fork heel	2950 mm	9 ft 8 in
4.21	b1 - Overall width - Single/twinned wheels	1450 mm / -	4 ft 9 in / -
4.22	e / s / l - Fork dimensions	1100 X 100 X 35	3.61 x 0.33 x 0.11
4.23	Fork carriage to DIN 15173 A/B	FEM 2A	FEM 2A
4.24	b3 - Width of fork clamp	1260 mm	4 ft 2 in
4.31	m1 - Ground clearance under mast	300 mm	12 in
4.33	Ast - Aisle width for 1000 x 1200 pallet widthwise	4400 mm	14 ft 5 in
4.35	Wa - Turning radius	2580 mm	8 ft 6 in
4.36	b13 - Inner turning radius	650 mm	2 ft 2 in
Performances			
5.1	Speed of travel laden / unladen	24.90 km/h / -	15.50 mph / -
5.2	Lifting speed laden / unladen	0.40 m/s / 0.40 m/s	1.31 ft/s / 1.31 ft/s
5.3	Lowering speed laden / unladen	0.40 m/s / 0.40 m/s	1.31 ft/s / 1.31 ft/s
5.5	Nominal pulling force laden / unladen	108 daN / 110 daN	/
5.10	Service brake	Hydraulic	Hydraulic
Engine			
7.1	Engine manufacturer / Type	Kubota / Stage 3B	Kubota / Stage 3B
7.2	Useful power	26.50 kW	26.50 kW
7.3	Rated speed	3000 rpm	3000 rpm
7.4	Number of pistons / Capacity	4 / 1498 cm <sup>3</sup>	4 /
7.5	Fuel consumption according to VDI cycle	3.50 l/h	0.92 gph
Miscellaneous			
8.3	Oil flow rate for attachments	39 l/min	10.30 gpm
8.4	Measured/guaranteed mean noise level at the ear of the operator	79 dB(A)	79 dB(A)



### Characteristics of masts and residual capacities

Duplex Total Visibility		FVD 33	FVD 37	FVD 45
Lift height	mm	3300	3700	4500
Height (mast lowered)	mm	2340	2600	3040
Free lift	mm	90	90	90
Height of extended mast	mm	4176	4576	5537.6 0
Residual Capacity without attachment (Industrial load chart)	kg	1800	1800	1800
Residual Capacity without attachment (Off road load chart)	kg	1800	1800	1100
Residual capacity with hooked-on side shift (Industrial load chart)	kg	1800	1800	1800
Residual capacity with hooked-on side shift (Off road load chart)	kg	1800	1800	1100
Forward/backward mast tilt angle	°	10 / 12	10 / 12	10 / 12

Triplex Without Free Lift		FVT 33
Lift height	mm	3300
Height (mast lowered)	mm	1880
Free lift	mm	0
Height of extended mast	mm	4115
Residual Capacity without attachment (Industrial load chart)	kg	1800
Residual Capacity without attachment (Off road load chart)	kg	1800
Residual capacity with hooked-on side shift (Industrial load chart)	kg	1800
Residual capacity with hooked-on side shift (Off road load chart)	kg	1800
Forward/backward mast tilt angle	°	10 / 12

Triplex Free Lift		FLT 37	FLT 40	FLT 43	FLT 47	FLT 50	FLT 55
Lift height	mm	3700	4000	4300	4700	5000	5500
Height (mast lowered)	mm	1990	2135	2190	2340	2440	2600
Free lift	mm	1216	1316	1416	1566	1666	1826
Height of extended mast	mm	4514	4814	5114	5514	5814	6314
Residual Capacity without attachment (Industrial load chart)	kg	1800	1800	1800	1800	1800	1800
Residual Capacity without attachment (Off road load chart)	kg	1800		1300	1000		650
Residual capacity with hooked-on side shift (Industrial load chart)	kg	1800	1800	1800	1800		1800
Residual capacity with hooked-on side shift (Off road load chart)	kg	1800		1300	750		500
Forward/backward mast tilt angle	°	10 / 12	10 / 12	10 / 12	10 / 12	6 / 6	6 / 6



Groundwater Lift Trucks Ltd,  
Spurryhillock Industrial Estate,  
Stonehaven, Aberdeenshire, AB39 2NH  
01569 763247  
sales@groundwater.uk.com  
www.groundwater.uk.com



Siège Social  
430 rue de l'Aubinière - 44150 Ancenis Cedex - France  
Tel: +33(0)2 40 09 10 11 - Fax: +33 (0)2 40 09 10 97  
www.manitou.com



This brochure describes versions and configuration options for Manitou products which may be fitted with different equipment. The equipment described in this brochure may be standard, optional or not available depending on version. Manitou reserves the right to change the specifications shown and described at any time and without prior warning. The manufacturer is not liable for the specifications given. For more information, contact your Manitou dealer. Non-contractual document. Product descriptions may differ from actual products. List of specifications is not comprehensive. The logos and visual identity of the company are the property of Manitou and may not be used without authorisation. All rights reserved. The photos and diagrams contained in this brochure are provided for information only.

MANITOU BF SA - Limited company with board of directors - Share capital: 39,547,824 euros - 857 802 508 RCS Nantes