

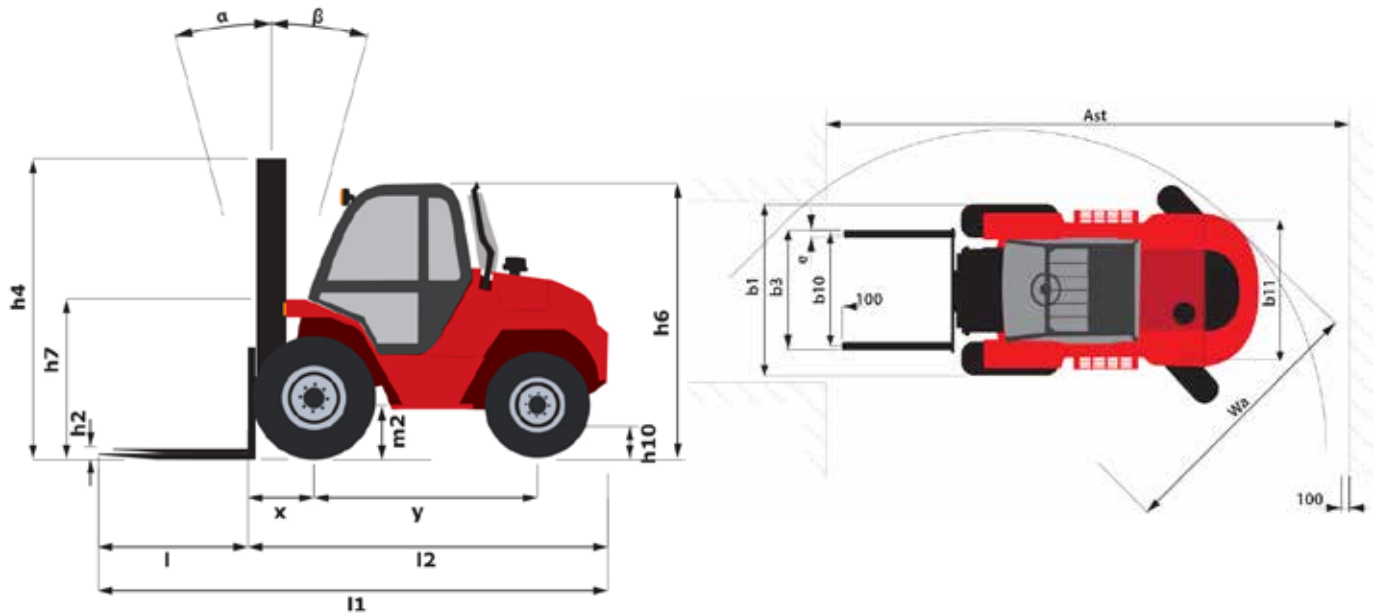
Technical sheet

# **M 70-2 H**

Masted Forklift Trucks



Technical characteristics		Metric	Imperial
1.1	Manufacturer	Manitou	Manitou
1.2	Model	M 70-2 H	M 70-2 H
1.3	Type of traction	Diesel	Diesel
1.4	Type of operation	Seated	Seated
1.5	Q - Rated capacity	7000 kg	15432 lbs
1.6	c - Center of gravity of load	600 mm	2 in
1.8	x - Distance from the load bearing surface to the centre of the front axle	803 mm	2 ft 10 in
1.9	y - Wheelbase	2493 mm	8 ft 2 in
Weight			
2.1	Weight of truck in working order	9880 kg	21782 lbs
2.2	Laden weight on front/rear axle	14954 kg / 1926 kg	32968 lbs / 4246.10 lbs
2.3	Unladen weight on front/rear axle	4040 kg / 5840 kg	8907 lbs / 12875 lbs
Wheels			
3.1	Tyre equipment: bandage (V), PPS (SE), inflatable tyre (L)	L	L
3.2	Size of front wheels	18R19.5 8T N 20XF	-
3.5	Number of front wheels (x)	2 / 2	2 / 2
3.6	b10 - Front track	1.70 mm	6 in
3.7	b11 - Rear track	1.55 mm	5 in
Dimensions			
4.1	$\alpha$ / $\beta$ - Front/Rear mast angle	15 ° / 15 °	15 ° / 15 °
4.2	h1 - Height (mast lowered)	3360 mm	11 ft
4.3	h2 - Free lift	0 mm	0.0 in
4.4	h3 - Lift height (Duplex mast)	4000 mm	13 ft 1 in
4.5	h4 - Height of extended mast	5370 mm	17 ft 8 in
4.7	h6 - Height of driver protection (cab)	2475 mm	8 ft 1 in
4.8	h7 - Height of seat	1485 mm	4 ft 1 in
4.12	h10 - Height of towing coupling	690 mm	2 ft 4 in
4.19	l1 - Total length	5700 mm	18 ft 10 in
4.20	l2 - Length to fork heel	4200 mm	13 ft 11 in
4.21	b1 - Overall width - Single/twinned wheels	2155 mm / -	7 ft 1 in / -
4.22	e / s / l - Fork dimensions	1500 x 150 x 70	4.11 x 0.6 x 0.3
4.23	Fork carriage to DIN 15173 A/B	FEM 4	FEM 4
4.24	b3 - Width of fork clamp	1750 mm	5 ft 11 in
4.31	m1 - Ground clearance under mast	300 mm	1 ft
4.33	Ast - Aisle width for 1000 x 1200 pallet widthwise	6703 mm	22 ft
4.34	Ast - Aisle width for 800 x 1200 pallet lengthwise	6703 mm	22 ft
4.35	Wa - Turning radius	4200 mm	13 ft 11 in
4.36	b13 - Inner turning radius	1000 mm	3 ft 4 in
Performances			
5.1	Speed of travel laden / unladen	11 km/h / 23 km/h	6.83 mph / 14.29 mph
5.2	Lifting speed laden / unladen	0.32 m/s / 0.32 m/s	1.10 ft/s / 1.10 ft/s
5.3	Lowering speed laden / unladen	0.40 m/s / 0.34 m/s	1.40 ft/s / 1.10 ft/s
5.5	Nominal pulling force laden / unladen	8060 daN / 2930 daN	18120 lbf / 6587 lbf
5.7	Maximum ramp laden / unladen	45 % / 27 %	45 % / 27 %
5.10	Service brake	Hydraulic	Hydraulic
Engine			
7.1	Engine manufacturer / Type	Deutz - TD 3.6 / 3B / Tier IV Final	Deutz - TD 3.6 / 3B / Tier IV Final
7.2	Useful power	55.40 kW	55.40 kW
7.3	Rated speed	2500 rpm	2500 rpm
7.4	Number of pistons / Capacity	4 / 3621 cm <sup>3</sup>	4 / 220.88 in <sup>3</sup>
7.5	Fuel consumption according to VDI cycle	7.30 l/h	1.93 gph
Miscellaneous			
8.2	Working hydraulic pressure for attachments	230 bar	3335.47 psi
8.3	Oil flow rate for attachments	80 l/min	20.61 gpm
8.4	Measured/guaranteed mean noise level at the ear of the operator	78 dB(A)	78 dB(A)



### Characteristics of masts and residual capacities

Duplex Total Visibility		FVD36	FVD40	FVD45
Lift height	mm	3600	4000	4500
Height (mast lowered)	mm	3160	3360	3610
Free lift	mm	0	0	0
Height of extended mast	mm	4965	5370	5865
Residual Capacity without attachment (Industrial load chart)	kg	7000	7000	7000
Residual capacity with hooked-on side shift (Industrial load chart)	kg	6200	6200	3850
Forward/backward mast tilt angle	°	15 / 15	15 / 15	15 / 15



Groundwater Lift Trucks Ltd,  
Spurryhillock Industrial Estate,  
Stonehaven, Aberdeenshire, AB39 2NH  
01569 763247  
sales@groundwater.uk.com  
www.groundwater.uk.com



Siège Social  
430 rue de l'Aubinière - 44150 Ancenis Cedex - France  
Tel: +33(0)2 40 09 10 11 - Fax: +33 (0)2 40 09 10 97  
www.manitou.com



This brochure describes versions and configuration options for Manitou products which may be fitted with different equipment. The equipment described in this brochure may be standard, optional or not available depending on version. Manitou reserves the right to change the specifications shown and described at any time and without prior warning. The manufacturer is not liable for the specifications given. For more information, contact your Manitou dealer. Non-contractual document. Product descriptions may differ from actual products. List of specifications is not comprehensive. The logos and visual identity of the company are the property of Manitou and may not be used without authorisation. All rights reserved. The photos and diagrams contained in this brochure are provided for information only.

MANITOU BF SA - Limited company with board of directors - Share capital: 39,547,824 euros - 857 802 508 RCS Nantes