

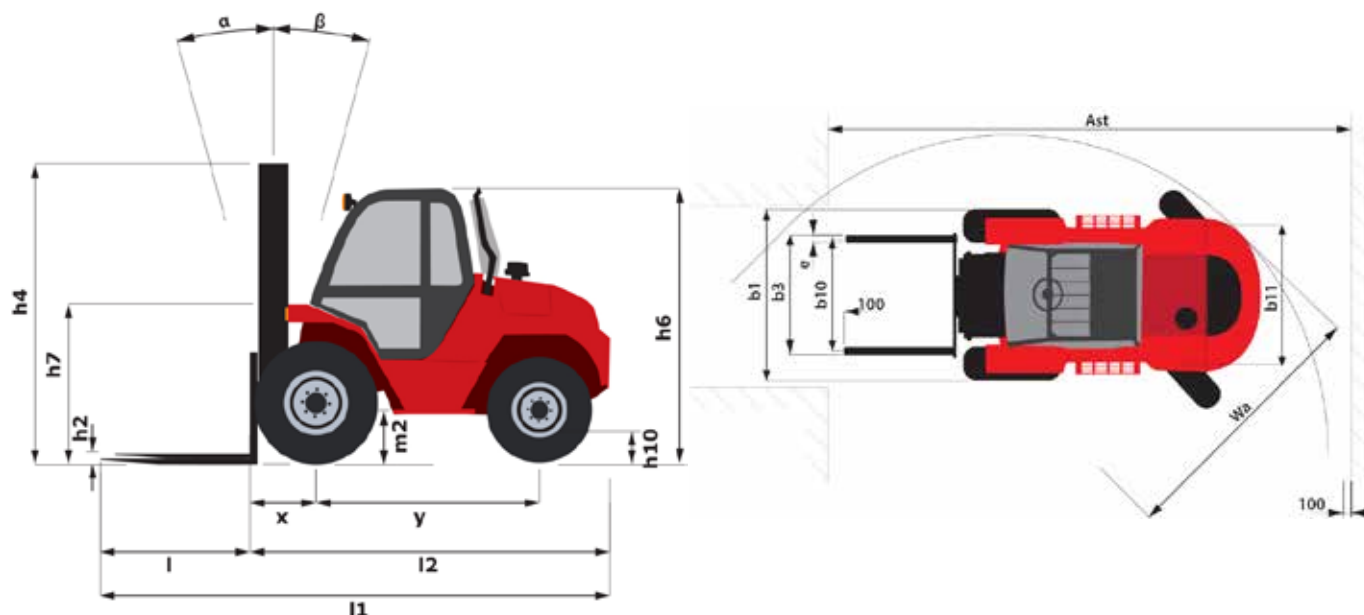
Technical sheet

M 50-2 H

Masted Forklift Trucks



| Technical characteristics | | Metric | Imperial |
|---------------------------|--|--|--|
| 1.1 | Manufacturer | Manitou | Manitou |
| 1.2 | Model | M 50-2 H | M 50-2 H |
| 1.3 | Type of traction | Diesel | Diesel |
| 1.4 | Type of operation | Seated | Seated |
| 1.5 | Q - Rated capacity | 5000 kg | 11000 lbs |
| 1.6 | c - Center of gravity of load | 600 mm | 2 in |
| 1.8 | x - Distance from the load bearing surface to the centre of the front axle | 773 mm | 2 ft 7 in |
| 1.9 | y - Wheelbase | 2060 mm | 6 ft 11 in |
| Weight | | | |
| 2.1 | Weight of truck in working order | 8275 kg | 18243 lbs |
| 2.2 | Laden weight on front/rear axle | 11615 kg / 1660 kg | 25553 lbs / 3660 lbs |
| 2.3 | Unladen weight on front/rear axle | 3285 kg / 4990 kg | 7242 lbs / 11001 lbs |
| Wheels | | | |
| 3.1 | Tyre equipment: bandage (V), PPS (SE), inflatable tyre (L) | L | L |
| 3.2 | Size of front wheels | 18-19.5 18PR A224 | - |
| 3.5 | Number of front wheels (x) | 2x / 2 | 2x / 2 |
| 3.6 | b10 - Front track | 1.60 mm | 5 in |
| 3.7 | b11 - Rear track | 1.64 mm | 6 in |
| Dimensions | | | |
| 4.1 | α / β - Front/Rear mast angle | 15 ° / 15 ° | 15 ° / 15 ° |
| 4.2 | h1 - Height (mast lowered) | 2870 mm | 9 ft 6 in |
| 4.4 | h3 - Lift height (Duplex mast) | 3700 mm | 12 ft 2 in |
| 4.5 | h4 - Height of extended mast | 4760 mm | 15 ft 8 in |
| 4.7 | h6 - Height of driver protection (cab) | 2460 mm | 8 ft 1 in |
| 4.8 | h7 - Height of seat | 1380 mm | 4 ft 7 in |
| 4.12 | h10 - Height of towing coupling | 690 mm | 2 ft 4 in |
| 4.19 | l1 - Total length | 4948 mm | 16 ft 4 in |
| 4.20 | l2 - Length to fork heel | 3748 mm | 12 ft 5 in |
| 4.21 | b1 - Overall width - Single/twinned wheels | 2057 mm / - | 6 ft 11 in / - |
| 4.22 | e / s / l - Fork dimensions | 1200 X 150 X 60 | 3.11 X 0.6 X 0.2 |
| 4.23 | Fork carriage to DIN 15173 A/B | FEM 4 | FEM 4 |
| 4.24 | b3 - Width of fork clamp | 1670 mm | 5 ft 7 in |
| 4.31 | m1 - Ground clearance under mast | 250 mm | 1 in |
| 4.33 | Ast - Aisle width for 1000 x 1200 pallet widthwise | 5640 mm | 18 ft 7 in |
| 4.34 | Ast - Aisle width for 800 x 1200 pallet lengthwise | 5640 mm | 18 ft 7 in |
| 4.35 | Wa - Turning radius | 3465 mm | 11 ft 5 in |
| 4.36 | b13 - Inner turning radius | 200 mm | 10 in |
| Performances | | | |
| 5.1 | Speed of travel laden / unladen | 10 km/h / 24 km/h | 6.20 mph / 14.90 mph |
| 5.2 | Lifting speed laden / unladen | 0.40 m/s / 0.40 m/s | 1.40 ft/s / 1.40 ft/s |
| 5.3 | Lowering speed laden / unladen | 0.40 m/s / 0.30 m/s | 1.40 ft/s / 1 ft/s |
| 5.5 | Nominal pulling force laden / unladen | 7410 daN / - | 16658 lbf / - |
| 5.10 | Service brake | Oil-Immersed Multi-Discs on Front & Rear Axles | Oil-Immersed Multi-Discs on Front & Rear Axles |
| Engine | | | |
| 7.1 | Engine manufacturer / Type | Perkins - 854F-E34T WF / Stage 3B | Perkins - 854F-E34T WF / Stage 3B |
| 7.2 | Useful power | 55 kW | 55 kW |
| 7.3 | Rated speed | 2200 rpm | 2200 rpm |
| 7.4 | Number of pistons / Capacity | 4 / 3400 cm ³ | 4 / 207.40 in ³ |
| 7.5 | Fuel consumption according to VDI cycle | 6.90 l/h | - |
| Miscellaneous | | | |
| 8.2 | Working hydraulic pressure for attachments | 230 bar | 3335 psi |
| 8.3 | Oil flow rate for attachments | 97 l/min | 25 gpm |
| 8.4 | Measured/guaranteed mean noise level at the ear of the operator | 76 dB(A) | 76 dB(A) |



Characteristics of masts and residual capacities

| Duplex Total Visibility | | FVD 30 | FVD 33 | FVD 35 | FVD 37 | FVD 40 | FVD 45 | FVD 50 |
|--|----|--------|--------|--------|--------|--------|--------|--------|
| Lift height | mm | 3060 | 3360 | 3560 | 3760 | 4060 | 4560 | 5060 |
| Height (mast lowered) | mm | 2560 | 2710 | 2810 | 2910 | 3060 | 3305 | 3560 |
| Free lift | mm | 0 | 0 | 0 | 0 | 0 | 0 | 0 |
| Height of extended mast | mm | 4115 | 4415 | 4615 | 4815 | 5115 | 5615 | 6115 |
| Residual Capacity without attachment (Industrial load chart) | kg | 5000 | 5000 | 5000 | 5000 | 5000 | 4500 | 4000 |
| Residual Capacity with integrated side shift (Industrial load chart) | kg | 4700 | 4700 | 4700 | 4700 | 4700 | 4000 | 3600 |

| Triplex Free Lift | | FLT 37 | FLT 40 | FLT 43 | FLT 45 | FLT 47 | FLT 50 | TLL 55 | FLT 60 |
|--|----|--------|--------|--------|--------|--------|--------|--------|--------|
| Lift height | mm | 3760 | 4060 | 4360 | 4560 | 4760 | 5060 | 5560 | 6060 |
| Height (mast lowered) | mm | 2310 | 2410 | 2510 | 2585 | 2645 | 2760 | 2910 | 3085 |
| Free lift | mm | 1265 | 1365 | 1465 | 1540 | 1600 | 1715 | 1865 | 2040 |
| Height of extended mast | mm | 4805 | 5105 | 5405 | 5605 | 5806 | 6105 | 6605 | 7105 |
| Residual Capacity without attachment (Industrial load chart) | kg | 5000 | 5000 | 4500 | 4000 | 3700 | 3300 | 2400 | 2000 |
| Residual Capacity with integrated side shift (Industrial load chart) | kg | 4500 | 4500 | 4000 | 3600 | 3300 | 3000 | 2150 | 1800 |



Groundwater Lift Trucks Ltd,
Spurryhillock Industrial Estate,
Stonehaven, Aberdeenshire, AB39 2NH
01569 763247
sales@groundwater.uk.com
www.groundwater.uk.com



Siège Social
430 rue de l'Aubinière - 44150 Ancenis Cedex - France
Tel: +33(0)2 40 09 10 11 - Fax: +33 (0)2 40 09 10 97
www.manitou.com



This brochure describes versions and configuration options for Manitou products which may be fitted with different equipment. The equipment described in this brochure may be standard, optional or not available depending on version. Manitou reserves the right to change the specifications shown and described at any time and without prior warning. The manufacturer is not liable for the specifications given. For more information, contact your Manitou dealer. Non-contractual document. Product descriptions may differ from actual products. List of specifications is not comprehensive. The logos and visual identity of the company are the property of Manitou and may not be used without authorisation. All rights reserved. The photos and diagrams contained in this brochure are provided for information only.

MANITOU BF SA - Limited company with board of directors - Share capital: 39,547,824 euros - 857 802 508 RCS Nantes