

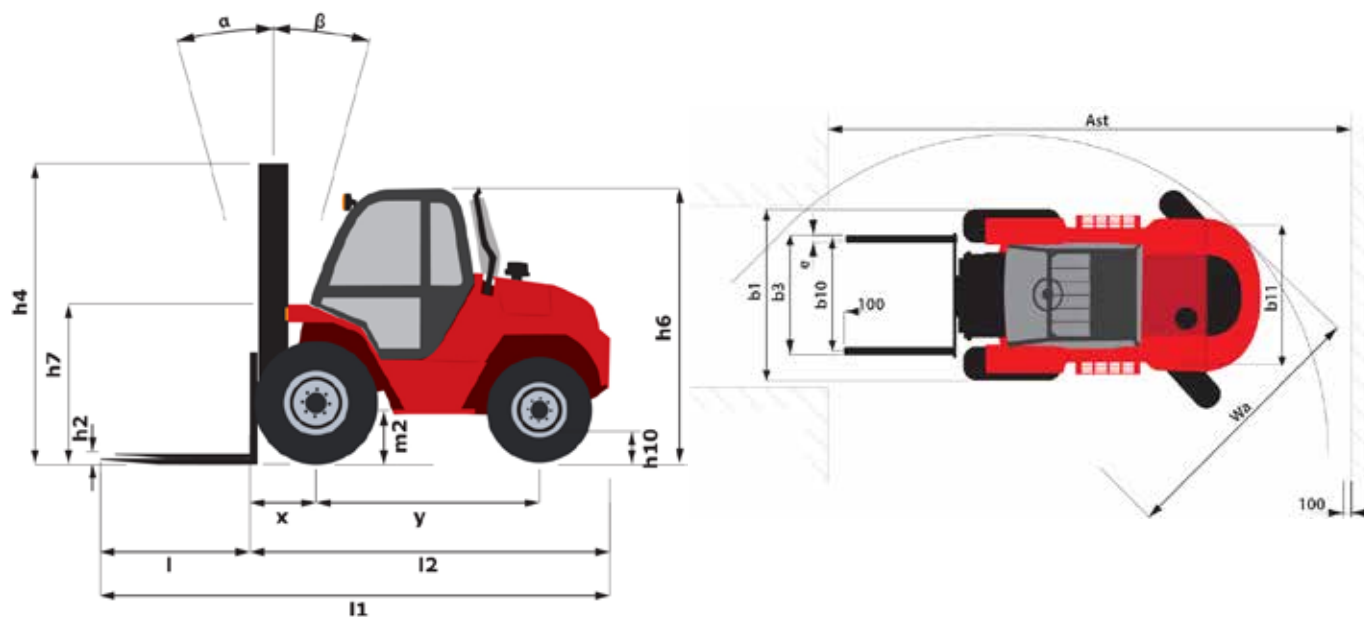
Technical sheet

M 50-2

Masted Forklift Trucks



Technical characteristics		Metric	Imperial
1.1	Manufacturer	Manitou	Manitou
1.2	Model	M 50-2	M 50-2
1.3	Type of traction	Diesel	Diesel
1.4	Type of operation	Seated	Seated
1.5	Q - Rated capacity	5000 kg	11000 lbs
1.6	c - Center of gravity of load	600 mm	2 in
1.8	x - Distance from the load bearing surface to the centre of the front axle	773 mm	2 ft 7 in
1.9	y - Wheelbase	2060 mm	6 ft 9 in
Weight			
2.1	Weight of truck in working order	8275 kg	18243 lbs
2.2	Laden weight on front/rear axle	11615 kg / 1660 kg	25553 lbs / 3660 lbs
2.3	Unladen weight on front/rear axle	3285 kg / 4990 kg	7242 lbs / 11001 lbs
Wheels			
3.1	Tyre equipment: bandage (V), PPS (SE), inflatable tyre (L)	L	L
3.2	Size of front wheels	18-19.5 18PR A224	-
3.5	Number of front wheels (x)	2x / 2	2x / 2
3.6	b10 - Front track	1.60 mm	5 in
3.7	b11 - Rear track	1.64 mm	6 in
Dimensions			
4.1	α / β - Front/Rear mast angle	15 ° / 15 °	15 ° / 15 °
4.2	h1 - Height (mast lowered)	2870 mm	9 ft 6 in
4.4	h3 - Lift height (Duplex mast)	3700 mm	12 ft 2 in
4.5	h4 - Height of extended mast	4760 mm	15 ft 8 in
4.7	h6 - Height of driver protection (cab)	2870 mm	9 ft 6 in
4.8	h7 - Height of seat	1440 mm	4 ft 11 in
4.12	h10 - Height of towing coupling	690 mm	2 ft 4 in
4.19	l1 - Total length	4948 mm	16 ft 4 in
4.20	l2 - Length to fork heel	3748 mm	12 ft 5 in
4.21	b1 - Overall width - Single/twinned wheels	2060 mm / -	6 ft 11 in / -
4.22	e / s / l - Fork dimensions	1200 X 150 X 60	3.11 X 0.6 X 0.2
4.23	Fork carriage to DIN 15173 A/B	FEM 4	FEM 4
4.24	b3 - Width of fork clamp	1670 mm	5 ft 7 in
4.31	m1 - Ground clearance under mast	250 mm	1 in
4.33	Ast - Aisle width for 1000 x 1200 pallet widthwise	5640 mm	18 ft 7 in
4.34	Ast - Aisle width for 800 x 1200 pallet lengthwise	5640 mm	18 ft 7 in
4.35	Wa - Turning radius	3465 mm	11 ft 5 in
4.36	b13 - Inner turning radius	200 mm	10 in
Performances			
5.1	Speed of travel laden / unladen	10 km/h / 24 km/h	6.20 mph / 14.90 mph
5.2	Lifting speed laden / unladen	0.40 m/s / 0.40 m/s	1.40 ft/s / 1.40 ft/s
5.3	Lowering speed laden / unladen	0.40 m/s / 0.30 m/s	1.40 ft/s / 1 ft/s
5.5	Nominal pulling force laden / unladen	6900 daN / -	1512 lbf / -
5.10	Service brake	Oil-Immersed Multi-Discs on Front & Rear Axles	Oil-Immersed Multi-Discs on Front & Rear Axles
Engine			
7.1	Engine manufacturer / Type	Perkins - 854F-E34T WF / Stage 3B	Perkins - 854F-E34T WF / Stage 3B
7.2	Useful power	55 kW	55 kW
7.3	Rated speed	2200 rpm	2200 rpm
7.4	Number of pistons / Capacity	4 / 3400 cm ³	4 / 207.40 in ³
7.5	Fuel consumption according to VDI cycle	6.90 l/h	1.58 gph
Miscellaneous			
8.2	Working hydraulic pressure for attachments	230 bar	3335 psi
8.3	Oil flow rate for attachments	97 l/min	25 gpm
8.4	Measured/guaranteed mean noise level at the ear of the operator	76 dB(A)	76 dB(A)



Characteristics of masts and residual capacities

Duplex Total Visibility		FVD 30	FVD 33	FVD 35	FVD 37	FVD 40	FVD 45	FVD 50	FLT 55
Lift height	mm	3060	3360	3560	3760	4060	4560	5060	5560
Height (mast lowered)	mm	2560	2710	2810	2910	3060	3305	3560	38100
Free lift	mm	0	0	0	0	0	0	0	0
Height of extended mast	mm	4115	4415	4615	4815	5115	5615	6115	6615
Residual Capacity without attachment (Industrial load chart)	kg	5000	5000	5000	5000	5000	4500	4000	
Residual Capacity with integrated side shift (Industrial load chart)	kg	4700	4700	4700	4700	4700	4000	3600	

Triplex Free Lift		FLT 37	FLT 40	FLT 43	FLT 45	FLT 47	FLT 50	FLT 55	FLT 60
Lift height	mm	3760	4060	4360	4560	4760	5060	5560	6060
Height (mast lowered)	mm	2310	2410	2510	2585	2645	2760	2910	3085
Free lift	mm	1265	1365	1465	1540	1600	1715	1865	2040
Height of extended mast	mm	4805	5105	5405	5605	5806	6105	6605	7105
Residual Capacity without attachment (Industrial load chart)	kg	5000	5000	4500	4000	3700	3300	2400	2000
Residual Capacity with integrated side shift (Industrial load chart)	kg	4500	4500	4000	3600	3300	3000	2150	1800



Groundwater Lift Trucks Ltd,
Spurryhillock Industrial Estate,
Stonehaven, Aberdeenshire, AB39 2NH
01569 763247
sales@groundwater.uk.com
www.groundwater.uk.com



Siège Social
430 rue de l'Aubinière - 44150 Ancenis Cedex - France
Tel: +33(0)2 40 09 10 11 - Fax: +33 (0)2 40 09 10 97
www.manitou.com



This brochure describes versions and configuration options for Manitou products which may be fitted with different equipment. The equipment described in this brochure may be standard, optional or not available depending on version. Manitou reserves the right to change the specifications shown and described at any time and without prior warning. The manufacturer is not liable for the specifications given. For more information, contact your Manitou dealer. Non-contractual document. Product descriptions may differ from actual products. List of specifications is not comprehensive. The logos and visual identity of the company are the property of Manitou and may not be used without authorisation. All rights reserved. The photos and diagrams contained in this brochure are provided for information only.

MANITOU BF SA - Limited company with board of directors - Share capital: 39,547,824 euros - 857 802 508 RCS Nantes