

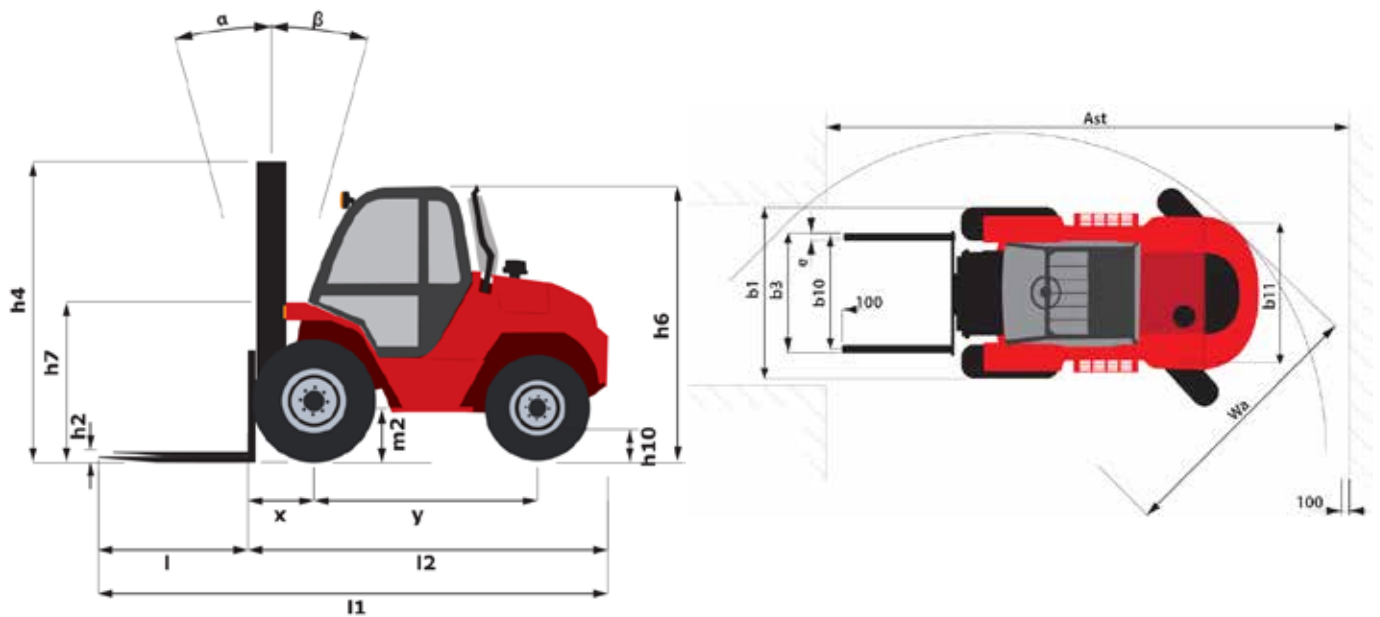
Technical sheet

M 40-2 H

Masted Forklift Trucks



Technical characteristics		Metric	Imperial
1.1	Manufacturer	Manitou	Manitou
1.2	Model	M 40-2 H	M 40-2 H
1.3	Type of traction	Diesel	Diesel
1.4	Type of operation	Seated	Seated
1.5	Q - Rated capacity	4000 kg	8800 lbs
1.6	c - Center of gravity of load	500 mm	2 in
1.8	x - Distance from the load bearing surface to the centre of the front axle	763 mm	2 ft 7 in
1.9	y - Wheelbase	2060 mm	6 ft 11 in
Weight			
2.1	Weight of truck in working order	6915 kg	15245 lbs
2.2	Laden weight on front/rear axle	9075 kg / 1840 kg	20007 lbs / 4057 lbs
2.3	Unladen weight on front/rear axle	2625 kg / 4290 kg	5787 lbs / 9458 lbs
Wheels			
3.1	Tyre equipment: bandage (V), PPS (SE), inflatable tyre (L)	L	L
3.5	Number of front wheels (x)	2x / 2	2x / 2
3.6	b10 - Front track	1.60 mm	5 in
3.7	b11 - Rear track	1.64 mm	6 in
Dimensions			
4.2	h1 - Height (mast lowered)	2440 mm	8 ft
4.7	h6 - Height of driver protection (cab)	2460 mm	8 ft 1 in
4.8	h7 - Height of seat	1440 mm	4 ft 11 in
4.12	h10 - Height of towing coupling	690 mm	2 ft 4 in
4.19	l1 - Total length	4858 mm	15 ft 1 in
4.20	l2 - Length to fork heel	3658 mm	12 ft
4.21	b1 - Overall width - Single/twin wheels	2060 mm / -	6 ft 11 in / -
4.22	e / s / l - Fork dimensions	1200 x 150 x 50	3.12 x 0.6 x 0.2
4.23	Fork carriage to DIN 15173 A/B	FEM3	FEM3
4.24	b3 - Width of fork clamp	1670 mm	5 ft 7 in
4.31	m1 - Ground clearance under mast	250 mm	1 in
4.33	Ast - Aisle width for 1000 x 1200 pallet widthwise	5560 mm	18 ft 4 in
4.34	Ast - Aisle width for 800 x 1200 pallet lengthwise	5560 mm	18 ft 4 in
4.35	Wa - Turning radius	3395 mm	11 ft 2 in
4.36	b13 - Inner turning radius	200 mm	10 in
Performances			
5.1	Speed of travel laden / unladen	10 km/h / 24 km/h	6.20 mph / 14.90 mph
5.2	Lifting speed laden / unladen	0.40 m/s / 0.40 m/s	1.40 ft/s / 1.40 ft/s
5.3	Lowering speed laden / unladen	0.40 m/s / 0.30 m/s	1.40 ft/s / 1 ft/s
5.5	Nominal pulling force laden / unladen	7410 daN / -	16658 lbf / -
5.10	Service brake	Hydraulic	Hydraulic
Engine			
7.1	Engine manufacturer / Type	Perkins - 854F-E34T / Stage 3B	Perkins - 854F-E34T / Stage 3B
7.2	Useful power	55 kW	55 kW
7.4	Number of pistons / Capacity	4 / 3400 cm ³	4 / 207.40 in ³
7.5	Fuel consumption according to VDI cycle	6.90 l/h	1.82 gph
Miscellaneous			
8.2	Working hydraulic pressure for attachments	210 bar	3047 psi
8.3	Oil flow rate for attachments	97 l/min	25 gpm
8.4	Measured/guaranteed mean noise level at the ear of the operator	76 dB(A)	76 dB(A)



Characteristics of masts and residual capacities

Duplex Total Visibility		FVD 30	FVD 33	FVD 35	FVD 37	FVD 40	FVD 45	DVT 50
Lift height	mm	3050	3350	3550	3750	4050	4550	5050
Height (mast lowered)	mm	2425	2575	2675	2775	2925	3175	3425
Free lift	mm	0	0	0	0	0	0	0
Height of extended mast	mm	3977	4277	4477	4677	4977	5477	5977
Residual Capacity without attachment (Industrial load chart)	kg	4000	4000	4000	4000	4000	4000	3800
Residual Capacity with integrated side shift (Industrial load chart)	kg	4000	4000	4000	4000	4000	4000	3400

Triplex Free Lift		FLT 37	TLL 40	FLT 43	FLT 45	FLT 47	FLT 50	FLT 55	FLT 60
Lift height	mm	3750	4050	4350	4550	4750	5050	5550	6050
Height (mast lowered)	mm	2175	2275	2375	2450	2510	2625	2775	2950
Free lift	mm	1258	1258	1458	1533	1593	1708	1858	2033
Height of extended mast	mm	4667	4967	5267	5467	5667	5967	6467	6967
Residual Capacity without attachment (Industrial load chart)	kg	4000	4000	4000	4000	3800	3700	3200	2600
Residual Capacity with integrated side shift (Industrial load chart)	kg	4000	4000	4000	4000	3400	3300	2900	2350



Groundwater Lift Trucks Ltd,
Spurryhillock Industrial Estate,
Stonehaven, Aberdeenshire, AB39 2NH
01569 763247
sales@groundwater.uk.com
www.groundwater.uk.com



Siège Social
430 rue de l'Aubinière - 44150 Ancenis Cedex - France
Tel: +33(0)2 40 09 10 11 - Fax: +33 (0)2 40 09 10 97
www.manitou.com



This brochure describes versions and configuration options for Manitou products which may be fitted with different equipment. The equipment described in this brochure may be standard, optional or not available depending on version. Manitou reserves the right to change the specifications shown and described at any time and without prior warning. The manufacturer is not liable for the specifications given. For more information, contact your Manitou dealer. Non-contractual document. Product descriptions may differ from actual products. List of specifications is not comprehensive. The logos and visual identity of the company are the property of Manitou and may not be used without authorisation. All rights reserved. The photos and diagrams contained in this brochure are provided for information only.

MANITOU BF SA - Limited company with board of directors - Share capital: 39,547,824 euros - 857 802 508 RCS Nantes