

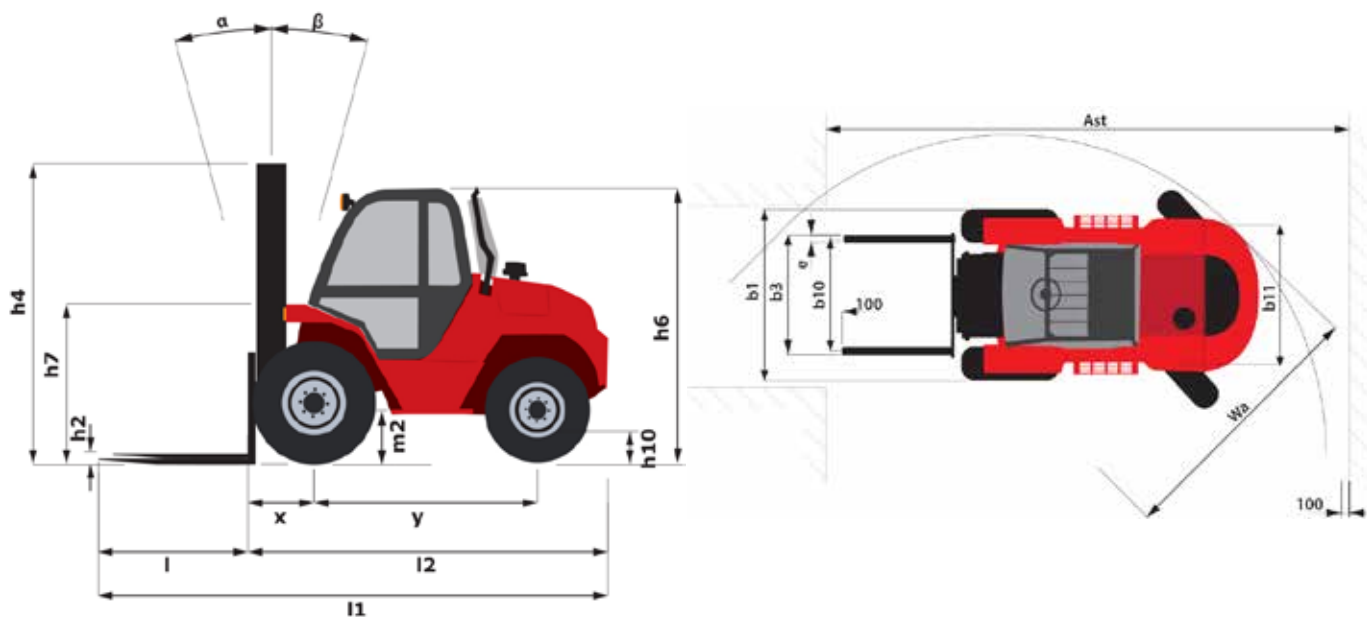
Technical sheet

M 26-4

Masted Forklift Trucks



Technical characteristics		Metric	Imperial
1.1	Manufacturer	Manitou	Manitou
1.2	Model	M 26-4	M 26-4
1.3	Type of traction	Diesel	Diesel
1.4	Type of operation	Seated	Seated
1.5	Q - Rated capacity	2600 kg	5732 lbs
1.6	c - Center of gravity of load	500 mm	2 in
1.8	x - Distance from the load bearing surface to the centre of the front axle	750 mm	2 ft 6 in
1.9	y - Wheelbase	1990 mm	6 ft 8 in
Weight			
2.1	Weight of truck in working order	5685 kg	12533 lbs
2.2	Laden weight on front/rear axle	6667 kg / 1618 kg	14698 lbs / 3567 lbs
2.3	Unladen weight on front/rear axle	2442 kg / 3243 kg	5383 lbs / 7149 lbs
Wheels			
3.1	Tyre equipment: bandage (V), PPS (SE), inflatable tyre (L)	L	L
3.5	Number of front wheels (x)	2x / 2x	2x / 2x
3.6	b10 - Front track	1.52 mm	5 in
3.7	b11 - Rear track	1.63 mm	5 in
Dimensions			
4.1	α / β - Front/Rear mast angle	6 ° / 12 °	6 ° / 12 °
4.2	h1 - Height (mast lowered)	2740 mm	9 ft
4.3	h2 - Free lift	90 mm	5 in
4.4	h3 - Lift height (Duplex mast)	3700 mm	12 ft 2 in
4.5	h4 - Height of extended mast	4763 mm	15 ft 10 in
4.7	h6 - Height of driver protection (cab)	2493 mm	8 ft 2 in
4.8	h7 - Height of seat	1473 mm	4 ft 11 in
4.12	h10 - Height of towing coupling	760 mm	2 ft 7 in
4.19	l1 - Total length	4700 mm	11 ft 6 in
4.20	l2 - Length to fork heel	3500 mm	11 ft 7 in
4.21	b1 - Overall width - Single/twinned wheels	1920 mm / -	6 ft 5 in / -
4.22	e / s / l - Fork dimensions	1200 x 125 x 40	3.11 x 0.5 x 0.2
4.23	Fork carriage to DIN 15173 A/B	FEM3	FEM3
4.24	b3 - Width of fork clamp	1470 mm	4 ft 1 in
4.31	m1 - Ground clearance under mast	450 mm	1 ft 7 in
4.33	Ast - Aisle width for 1000 x 1200 pallet widthwise	6180 mm	20 ft 4 in
4.34	Ast - Aisle width for 800 x 1200 pallet lengthwise	6180 mm	20 ft 4 in
4.35	Wa - Turning radius	4030 mm	13 ft 4 in
4.36	b13 - Inner turning radius	1135 mm	3 ft 11 in
Performances			
5.1	Speed of travel laden / unladen	10 km/h / 22 km/h	6.21 mph / 13.67 mph
5.2	Lifting speed laden / unladen	- / 0.30 m/s	- / 1 ft/s
5.3	Lowering speed laden / unladen	- / 0.40 m/s	- / 1.40 ft/s
5.5	Nominal pulling force laden / unladen	- / 425 daN	- / 955 lbf
5.7	Maximum ramp laden / unladen	14 % / 21 %	14 % / 21 %
5.10	Service brake	Hydraulic	Hydraulic
Engine			
7.1	Engine manufacturer / Type	Perkins - 854F-E34T / Stage 3B	Perkins - 854F-E34T / Stage 3B
7.2	Useful power	55 kW	55 kW
7.4	Number of pistons / Capacity	4 / 3400 cm ³	4 / 207.40 in ³
7.5	Fuel consumption according to VDI cycle	6.20 l/h	1.64 gph
Miscellaneous			
8.2	Working hydraulic pressure for attachments	185 bar	2684 psi
8.3	Oil flow rate for attachments	97 l/min	25 gpm
8.4	Measured/guaranteed mean noise level at the ear of the operator	76 dB(A)	76 dB(A)



Characteristics of masts and residual capacities

Duplex Total Visibility		FVD 30	FVD 33	FVD 35	FVD 37	FVD 40	FVD 45	FVD 50	FVD 55	FVD 60
Lift height	mm	3030	3330	3530	3730	4030	4530	5030	5530	6030
Height (mast lowered)	mm	2375	2525	2625	2785	2975	3225	3475	3725	3975
Free lift	mm	0	0	0	0	0	0	0	0	0
Height of extended mast	mm	4115	4415	4615	4815	5115	5615	6115	6615	7115
Residual Capacity without attachment (Industrial load chart)	kg	2600	2600	2600	2600	2600	2600	2200	1800	1400
Residual Capacity with integrated side shift (Industrial load chart)	kg	2600	2600	2600	2600	2600	2600	2000	1600	1200

Triplex Without Free Lift		FVT 55	FVT 67
Lift height	mm	5545	6745
Height (mast lowered)	mm	3055	3455
Free lift	mm	0	0
Height of extended mast	mm	6725	7925
Residual Capacity without attachment (Industrial load chart)	kg	1800	

Triplex Free Lift		FLT 37	FLT 40	FLT 43	FLT 45	FLT 47	FLT 50	FLT 55	FLT 60	FLT 65	FLT 70
Lift height	mm	3740	4040	4340	4540	4740	5040	5540	6040	6540	7040
Height (mast lowered)	mm	2275	2375	2525		2625	2785	2975	3225	3475	3725
Free lift	mm	1283	1383	1533		1633	1793	1983	2233	2483	2733
Height of extended mast	mm	4732	5032	5332		5732	6032	6532	7032	7532	8032
Residual Capacity without attachment (Industrial load chart)	kg	2600	2600	2600		2400	2200	1800	1400	1250	1000
Residual Capacity with integrated side shift (Industrial load chart)	kg	2600	2600	2500		2200	2000	1600	1200	1100	900



Groundwater Lift Trucks Ltd,
Spurryhillock Industrial Estate,
Stonehaven, Aberdeenshire, AB39 2NH
01569 763247
sales@groundwater.uk.com
www.groundwater.uk.com



Siège Social
430 rue de l'Aubinière - 44150 Ancenis Cedex - France
Tel: +33(0)2 40 09 10 11 - Fax: +33 (0)2 40 09 10 97
www.manitou.com



This brochure describes versions and configuration options for Manitou products which may be fitted with different equipment. The equipment described in this brochure may be standard, optional or not available depending on version. Manitou reserves the right to change the specifications shown and described at any time and without prior warning. The manufacturer is not liable for the specifications given. For more information, contact your Manitou dealer. Non-contractual document. Product descriptions may differ from actual products. List of specifications is not comprehensive. The logos and visual identity of the company are the property of Manitou and may not be used without authorisation. All rights reserved. The photos and diagrams contained in this brochure are provided for information only.

MANITOU BF SA - Limited company with board of directors - Share capital: 39,547,824 euros - 857 802 508 RCS Nantes