

---

TECHNICAL DATA SHEET

**MT 1135**

**Manitou Telescopic**

---



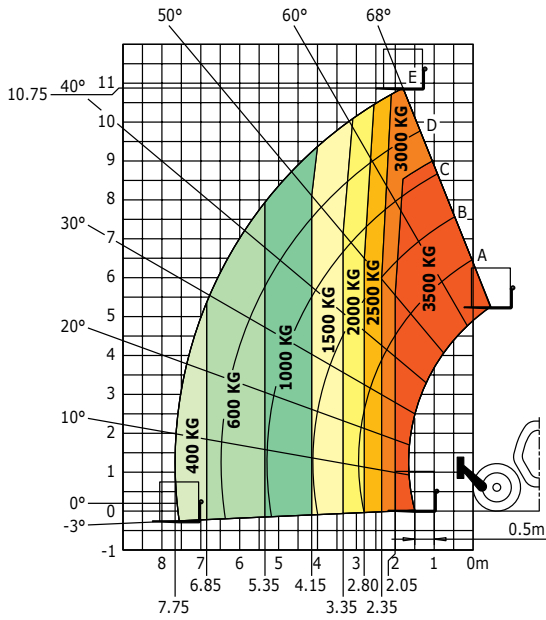
 **MANITOU**  
HANDLING YOUR WORLD

MT 1135	
<b>Lifting</b>	
Max. capacity	3500 kg
Max. lifting height	11.05 m
Max. outreach	7.75 m
Break-out-force with bucket (iso 8313)	6400 daN
<b>Unladen time</b>	
Lifting	8.5 s
Lowering	7.0 s
Extension	13.0 s
Retraction	9.0 s
Crowd	4.0 s
Dump	4.0 s
<b>Tyres</b>	400 / 80 -24
<b>Braking</b>	
Service brake	oil immersed multi-disc braking
Parking brake	automatic negative parking brake
<b>Engine</b>	
PERKINS - STAGE 4 - FINAL TIER 4	
Type	854F-E34TA
Power	100 HP / 75 kW
Max torque	430 Nm
Injection	direct
Cooling	water
Laden drawbar pull	9150 daN
<b>Transmission</b>	
torque converter	
Reversing shift	electrohydraulic control
Number of gears (forward/reverse)	4/4
Drive wheels	4 wheel drive
Steering mode	4 wheel steer - 3 steering modes
Max. travel speed (may vary according to applicable regulations)	25 or 35 kph
<b>Hydraulics</b>	
Pump	gear type with priority valve 125 l/min – 270 bar
<b>Capacities</b>	
Hydraulic oil	125 l
Fuel	120 l
<b>Unladen weight (with forks)</b>	8900 kg
<b>Dimensions</b>	
1. Front wheel centre to carriage	1.60 m
2. Wheelbase	2.88 m
3. Rear wheel centre to rear face	0.89 m
4. Overall length to carriage	5.37 m
5. Ground clearance	0.42 m
6. Overall width of cab	0.88 m
7. Inside tyre width	1.87m
8. Overall width	2.28 m
9. Overall width (stabilizers lowered)	2.28 m
10. Overall height	2.42 m
Turning radius (over tyres)	3.65 m
Carriage rotation (crowd / dump)	16° /110°
Standard forks (length x width x thickness)	1200 x 125 x 45 mm
<b>Frame levelling</b>	in standard
<b>Controls</b>	JSM *(Multi-function joystick)
<b>Safety</b>	Load limiter cut off system - EN 15000 norm ROPS / FOPS level II standard cab
<b>Noise and vibration</b>	
Noise at driving position (LpA)	78 dB
Environmental noise (LwA)	103 dB
Vibration to whole hand/arm	<2.50 m/s <sup>2</sup>

**Rough terrain load chart**  
Standard EN 1459B

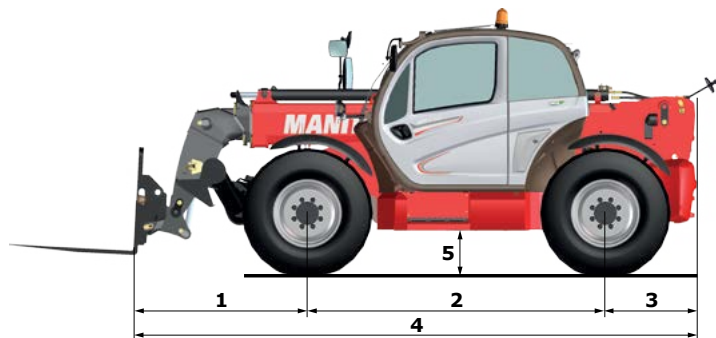
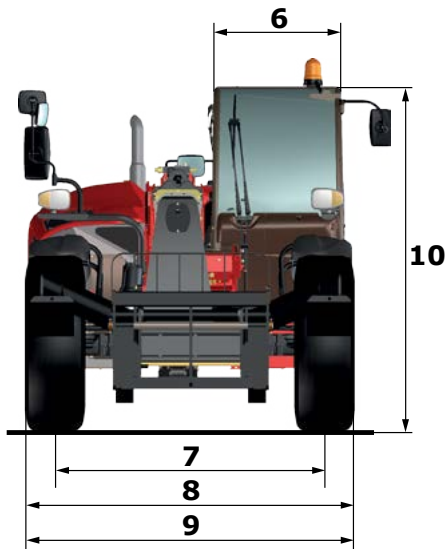
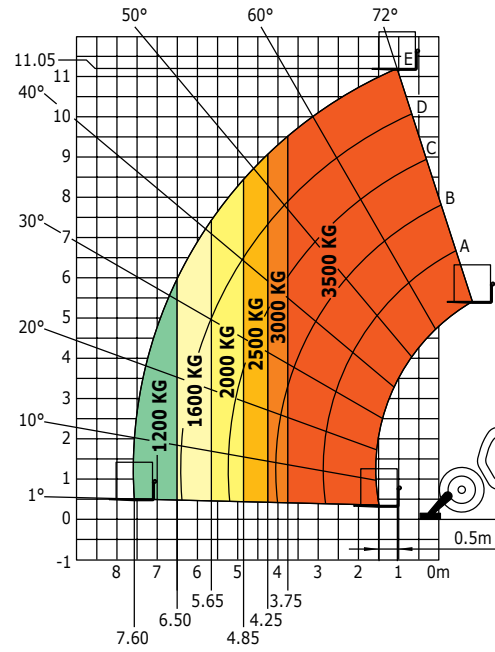
**Machine with forks on tyres**

CDG 500 mm  
(with frame levelling)



**Machine with forks on stabilizers**

CDG 500 mm



Your MANITOU dealer



Head office :  
B.P. 249 - 430 rue de l'Aubinière - 44158 Ancenis Cedex - France  
Phone.: +33 (0)2 40 09 10 11 - Fax: +33 (0)2 40 09 10 97  
[www.manitou.com](http://www.manitou.com)

