

TECHNICAL DATA SHEET

MT1440

Manitou Telescopic

easy

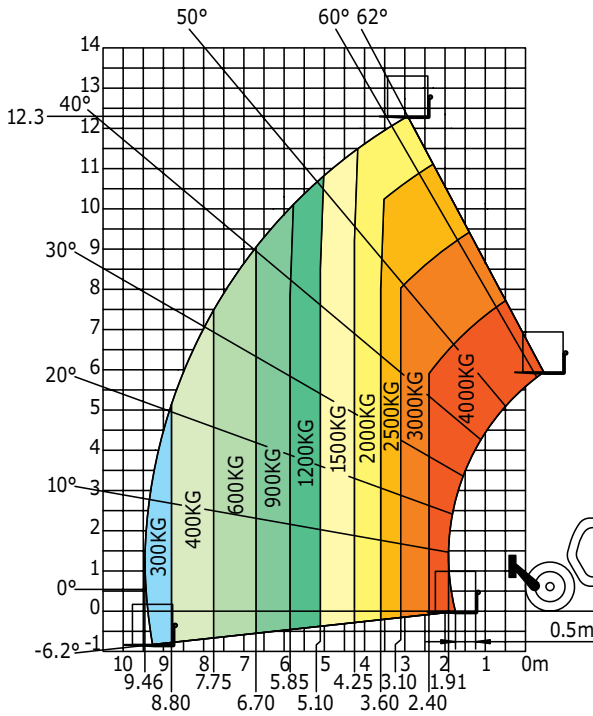


 **MANITOU**
HANDLING YOUR WORLD

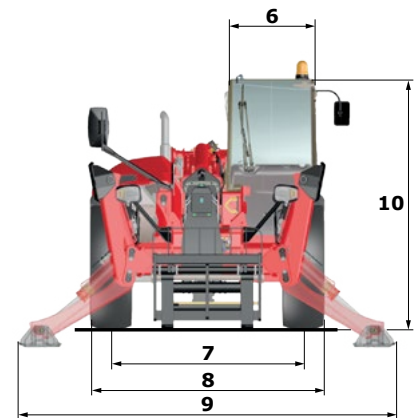
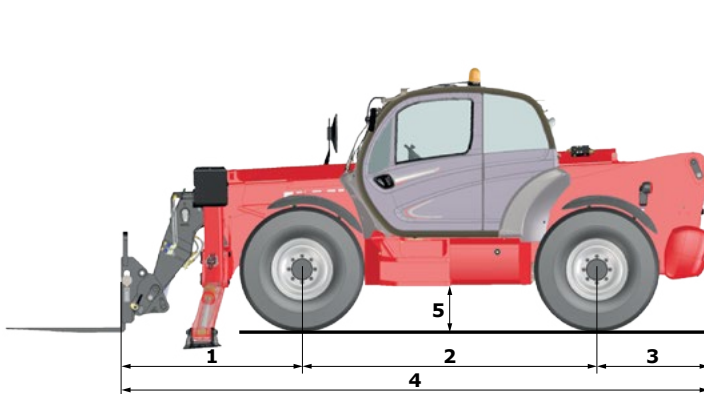
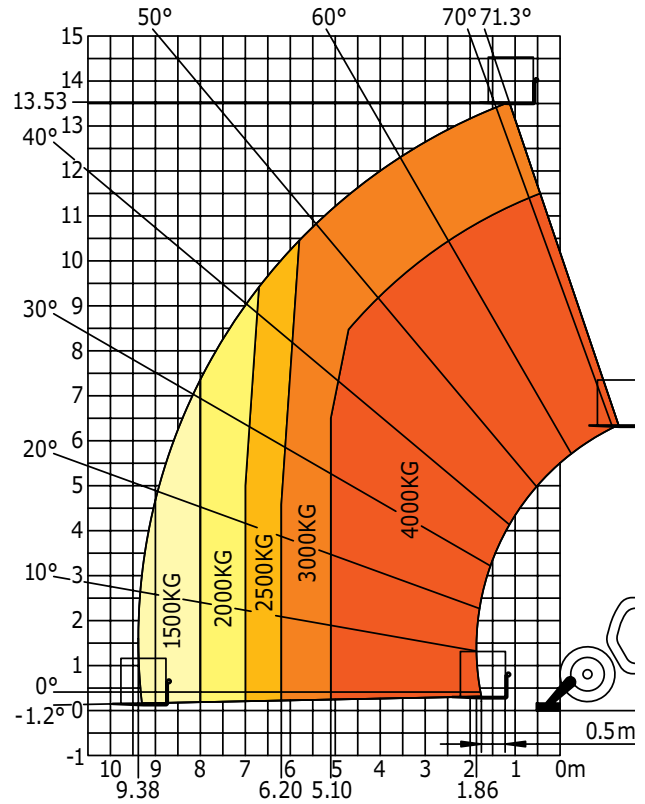
MT 1440 easy	
Lifting	
Max. capacity	4000 kg
Max. lifting height	13.53 m
Max. outreach	9.46 m
Break-out force with bucket (ISO 8313)	8150 daN
Unladen time	
Lifting	16s
Lowering	12 s
Extension	17s
Retraction	13s
Crowd	4.0 s
Dump	4.0 s
Tyres	400 / 80 -24
Braking	
Service brake	oil immersed multi-disc braking on front / rear axles
Parking brake	automatic negative parking brake
Engine	
DEUTZ - STAGE 3B - FINAL TIER 4	
Type	TD 3.6 L
Cubic capacity	3621 cm ³
Power	75 hp/55.4 kW
Max torque	330 Nm
Injection	direct
Cooling	water
Laden drawbar pull	8500 daN
Transmission	
torque converter	
Reversing shift	electrohydraulic control
Number of gears (forward/reverse)	4/4
Drive wheels	4 wheel drive
Steering mode	4 wheel steer - 3 steering modes
Max. travel speed (may vary according to applicable regulations)	25 kph
Hydraulics	
Pump	gear type with flow splitter 170 l/min – 270 bar
Capacities	
Hydraulic oil	135 l
Fuel	140 l
Unladen weight (with forks)	10 900 kg
Dimensions	
1. Front wheel centre to carriage	1.90 m
2. Wheelbase	3.07 m
3. Rear wheel centre to rear face	1.16 m
4 Overall length to carriage	6.13 m
5. Ground clearance	0.37 m
6. Overall width of cab	0.89 m
7. Inside tyre width	1.96 m
8. Overall width	2.37 m
9. Overall width (stabilizers lowered)	3.79 m
10. Overall height	2.45 m
Turning radius (over tyres)	3.97 m
Carriage rotation (crowd / dump)	12° /114°
Standard forks (length x width x thickness)	1200 x 125 x 50 mm
Frame levelling	in option
Controls	
JSM [®] (Multi-function joystick)	
Safety	
Load limiter cut off system - EN 15000 norm ROPS / FOPS level II standard cab	
Noise and vibration	
Noise at driving position (LpA)	78 dB
Environmental noise (LwA)	103 dB
Vibration to whole hand/arm	<2.50 m/s ²

Rough terrain load chart
Standard EN1459 B

Machine on tyres with forks
LC 500 mm
(with frame levelling)



Machine on stabilizers with forks
LC 500 mm



Your MANITOU dealer



Head office :
B.P. 249 - 430 rue de l'Aubinière - 44158 Ancenis Cedex - France
Phone.: +33 (0)2 40 09 10 11 - Fax: +33 (0)2 40 09 10 97
www.manitou.com

