

TECHNICAL DATA SHEET

MT 1840

Manitou Telescopic

easy



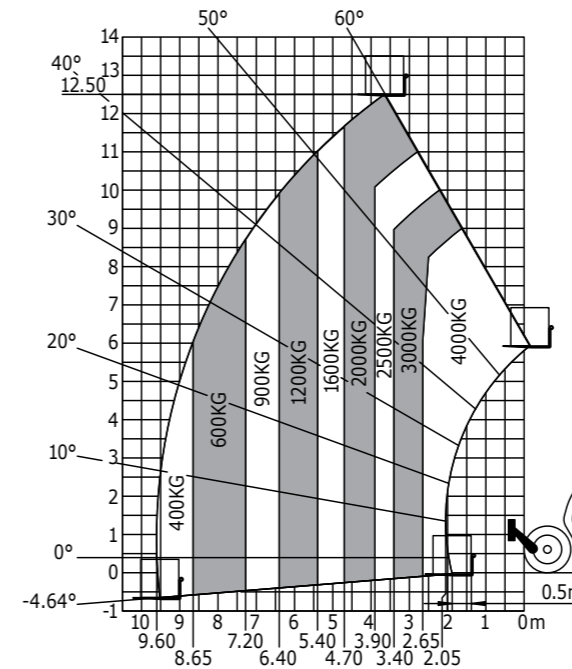
 **MANITOU**
HANDLING YOUR WORLD

MT 1840 Easy

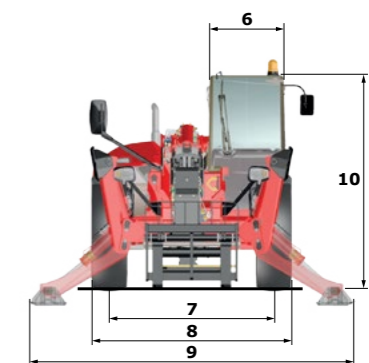
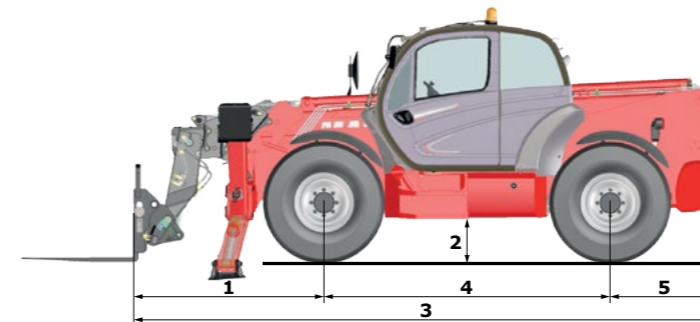
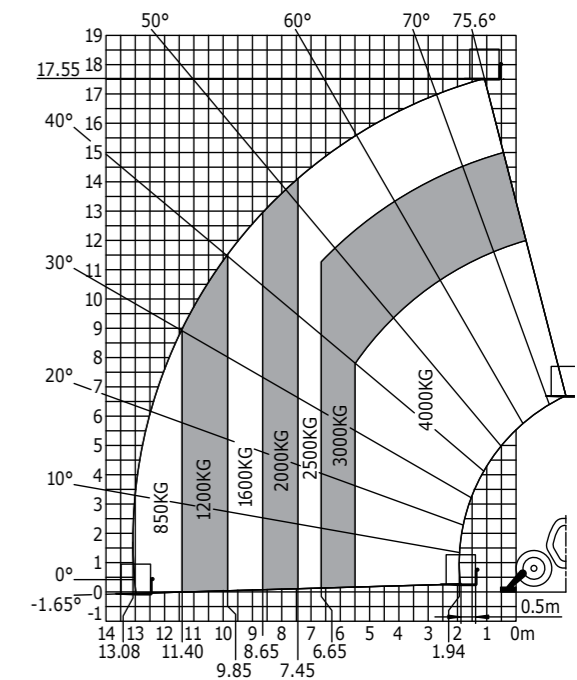
Lifting	
Max. capacity	4000 kg
Max. lifting height	17.55 m
Max. outreach	13.08 m
Break-out force with bucket (ISO 8313)	8 150 daN
Unladen time	
Lifting	16 s
Lowering	12 s
Extension	16 s
Retraction	13.0 s
Crowd	4.0 s
Dump	4.0 s
Tyres	440 / 80 -24
Braking	
Service brake	oil immersed multidisc braking on front and rear axles
Parking brake	automatic negative parking brake
Engine	DEUTZ - STAGE 3B - FINAL TIER 4
Type	TD 3.6 L
Cubic capacity	3621 cm ³
Power	75 HP/55.4 kW
Max torque	330 Nm
Injection	electronic
Cooling	water
Laden drawbar pull	8 500 daN
Transmission	torque converter
Reversing shift	electrohydraulic control
Number of gears (forward/reverse)	4/4
Drive wheels	4 wheel drive
Steering mode	4 wheel steer - 3 steering modes
Max. travel speed (may vary according to applicable regulations)	25 kph
Hydraulics	
Pump	gear type with priority valve 170 l/min – 270 bar
Capacities	
Hydraulic oil	135 l
Fuel	140 l
Unladen weight	11 700 kg
Dimensions	
1. Front wheel centre to carriage	2.04 m
2. Ground clearance	0.42 m
3. Overall length to carriage	6.27 m
4. Wheelbase	3.07 m
5. Rear wheel centre to rear face	1.16 m
6. Overall width of cab	0.89 m
7. Inside tyre width	1.96 m
8. Overall width	2.42 m
9. Overall width (stabilizers lowered)	3.79 m
10. Overall height	2.50 m
Turning radius (over tyres)	4.01 m
Carriage rotation (crowd / dump)	12° / 114°
Standard forks (length x width x thickness)	1200 x 125 x 50 mm
Frame levelling	in option
Controls	JSM [®] (Multi-function joystick)
Safety	Load limiter cut off system - EN 15000 norm ROPS FOPS level II standard cab
Noise and vibrations	
Noise at driving position (LpA)	78 dB
Environmental noise (LwA)	103 dB
Vibration to whole hand/arm	<2.50 m/s ²

Rough terrain load chart Standard EN1459 B

Machine on tyres with forks
LC 500 mm
(with frame levelling)



Machine on stabilizers with forks
LC 500 mm



Your MANITOU dealer



Head office :
B.P. 249 - 430 rue de l'Aubinière - 44158 Ancenis Cedex - France
Phone.: +33 (0)2 40 09 10 11 - Fax: +33 (0)2 40 09 10 97
www.manitou.com

