

---

TECHNICAL DATA SHEET

# MHT 790

## Manitou Heavy Telescopic

---



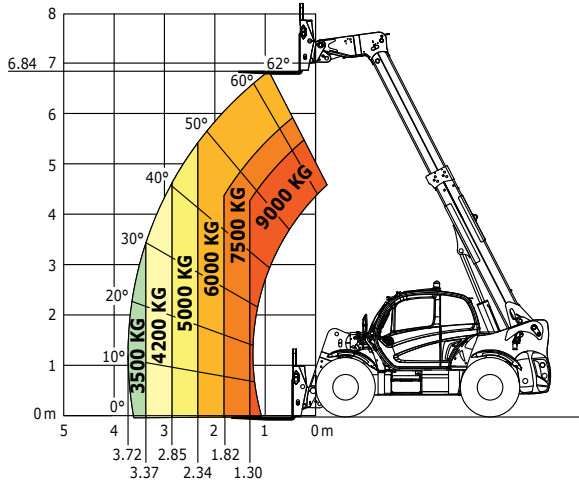
 **MANITOU**  
HANDLING YOUR WORLD



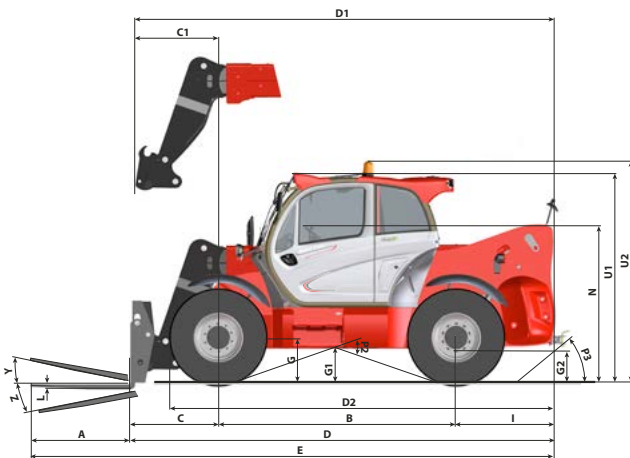
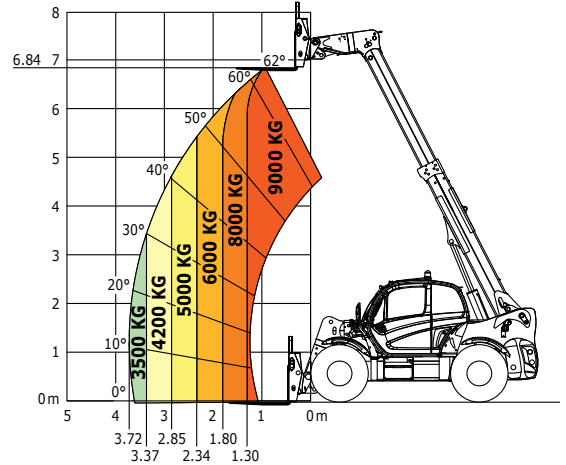
MHT 790	
<b>Lifting</b>	
Max. capacity at 600 mm LC	9000 kg
Max. lifting height	6.84 m
Max. outreach	3.72 m
<b>Unlading time</b>	
Lifting	9.2 s
Lowering	7.8 s
Extension	6.6 s
Retraction	6.1 s
<b>Tyres</b>	445/ 65 R22.5
<b>Braking</b>	
Service brake	Multiple-disc brake with oil bath on front and rear axles
Parking brake	Automatic negative parking brake
<b>Engine</b>	
John Deere Stage IV (Tier IV final)	
Type	4045 PWL
Displacement	4.5 l
Power	141 HP / 104 kW
Max torque	534 Nm / 1500 rpm
Injection	Direct
Laden drawbar pull	10905 daN
Gradeability (laden)	48%
<b>Transmission</b>	
hydrostatic	
Reversing shift	electrohydraulic control
Number of gears (forward/reverse)	2/2
Steering mode	4 wheel steer - 3 steering modes
Max. travel speed (may vary according to applicable regulations)	30 kph
<b>Hydraulics</b>	
Load Sensing Pump	180 l/min – 270 bar
<b>Capacities</b>	
Hydraulic oil	151 l
Fuel	150 l
Urea	12 l
<b>Unladen weight</b> (with forks)	13160 kg
<b>Dimensions</b>	
Front wheel centre to carriage	5.27 m
Ground clearance	0.41 m
Overall width	2.47 m
Overall height	2.48 m
Turning radius (over tyres)	4.88 m
Carriage rotation (crowd / dump)	137°
Standard forks (length x width x thickness)	1200 x200 x 60 mm
<b>Controls</b>	
JSM <sup>®</sup> (Multi-function joystick)	
Load limiter cut off system - EN 15000 norm ROPS FOPS level II standard cab	
<b>Safety</b>	
<b>Noise and vibrations</b>	
Noise at driving position (LpA)	79.7 dB
Environmental noise (LwA)	103 dB
Vibration to whole hand/arm	<2.50 m/s <sup>2</sup>

Machine on tyres with forks  
LC 600 mm

Rough Terrain Load Chart  
EN 1459 Annex B

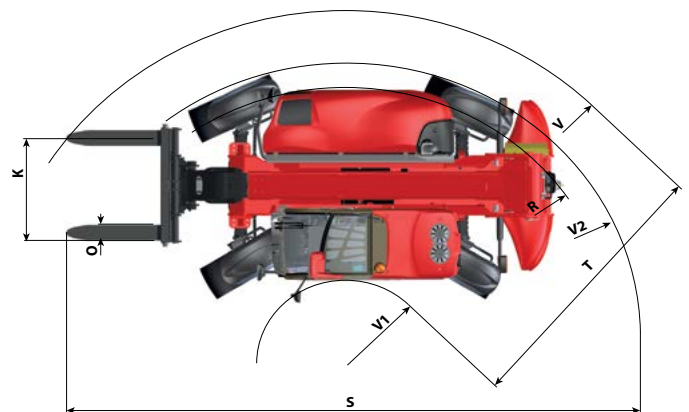
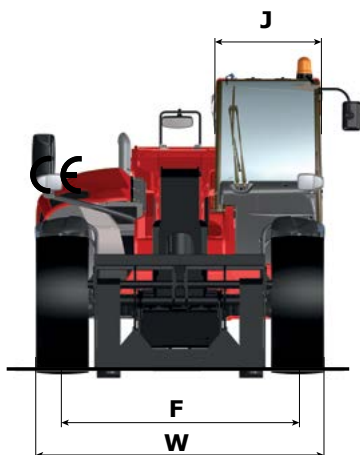


Industrial Load Chart  
EN 1459 Annex B



mm	MHT 790
A	1200
B	2870
C	1128
C1	997
D	5273
D1	5142
E	6473
F	2020
G1	409
I	1275
J	884
L	60
O	200

mm	MHT 790
P2	38°
P3	26°
R	4801
S	8647
T	3481
U1	2478
U2	2657
V	5592
V1	2110
V2	4884
W	2473
Y	12°
Z	125°



Your MANITOU dealer



Head office :  
B.P. 249 - 430 rue de l'Aubinière - 44158 Ancenis Cedex - France  
Phone.: +33 (0)2 40 09 10 11 - Fax: +33 (0)2 40 09 10 97  
[www.manitou.com](http://www.manitou.com)

