

# MLT 629

TECHNICAL DATA SHEET



 **MANITOU**

[www.manitou.com](http://www.manitou.com)

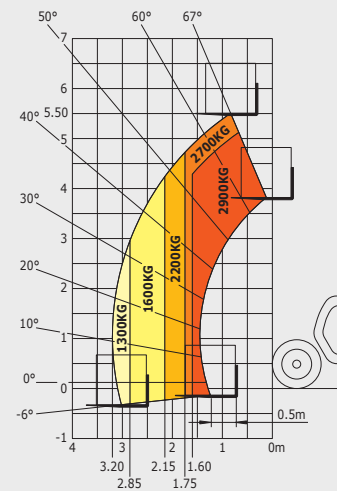
# MLT 629

MLT 629 20"/20" C      MLT 629 24"

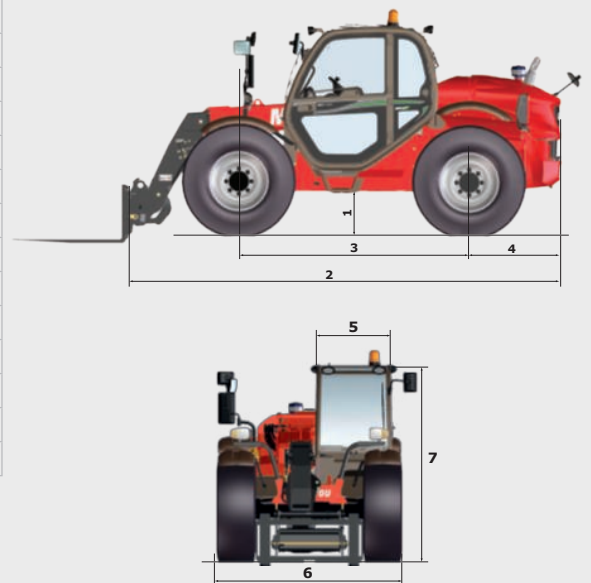
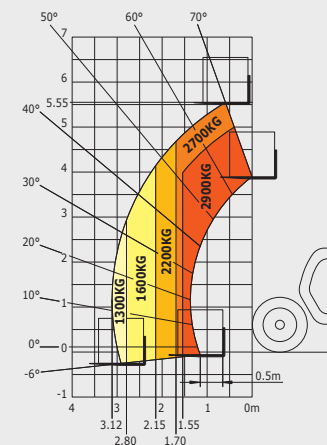
		MLT 629 20"/20" C	MLT 629 24"
<b>Lifting</b>			
Max. capacity		2900 kg	
Max. lifting height		5.5 m	5.55 m
Max. outreach		3.2 m	3.12 m
Reach at max. height		0.9 m	0.75 m
Break-out force with bucket		4160 daN	
<b>Unladen time</b>			
Lifting		7.71 secs	8.14 secs
Lowering		5.66 secs	5.65 secs
Extension		5.67 secs	5.63 secs
Retraction		3.5 secs	3.87 secs
Crowd		3.66 secs	
Dump		3.47 secs	
<b>Tyres</b>		400/70 R 20	460/70 R 24
<b>Braking</b>			
Service brake		hydraulic oil-immersed multi-disc	
Parking brake		mechanical oil-immersed multi-disc	
<b>Engine</b>			
		PERKINS - STAGE 3B	
Type		854E-34TA	
Cubic capacity		3400 cm <sup>3</sup>	
Power		102 HP/75 kW TURBO	
Max. torque		420 Nm - 1400 rpm	
Injection		direct	
Cooling		water + air	
Laden drawbar pull		7100 daN	
<b>Transmission</b>			
Gearbox		torque converter	
Reversing shift		electrohydraulic control	
Number of gears (forward/reverse)		4/4	
Max. travel speed (may vary according to applicable regulations)		28 kph	32 kph
<b>Hydraulics</b>			
Pump		gear type 85 l/min - 260 bar	
<b>Capacities</b>			
Hydraulic oil		98 l	
Fuel		104 l	
<b>Unladen weight (with forks)</b>		6025 kg	6225 kg
<b>Dimensions</b>			
1. Ground clearance		0.40 m	0.49 m
2. Overall length to carriage		4.83 m	
3. Wheelbase		2.52 m	
4. Rear wheel centre to rear face		1.01 m	
5. Overall width of cab		0.86 m	
6. Overall width		2.00 m	2.16 m
7. Overall height		2.21 m / 2.06 m	2.30 m
Standard forks (length x width x thickness)		1200 x 125 x 45 mm	
Turning radius (over tyres)		3.58 m	3.62 m

## Rough Terrain Load Chart standard EN1459 B

### Machine on tyres 20" with forks



### Machine on tyres 24" with forks



This brochure describes versions and configuration options for MANITOU products which may be fitted with different equipment. The equipment described in this brochure may be standard, optional or not available depending on version. MANITOU reserves the right to change the specifications shown and described at any time and without prior warning. The manufacturer is not liable for the specifications given. For more information, contact your MANITOU dealer. Non-contractual document. Product descriptions may differ from actual products. List of specifications is not comprehensive. The logos and visual identity of the company are the property of MANITOU and may not be used without authorisation. All rights reserved. The photos and diagrams contained in this brochure are provided for information only.

MANITOU BF SA - Limited company with board of directors - Share capital: 39,547,824 euros - 857 802 508 RCS Nantes

