

160 ATJ+

TECHNICAL DATA SHEET

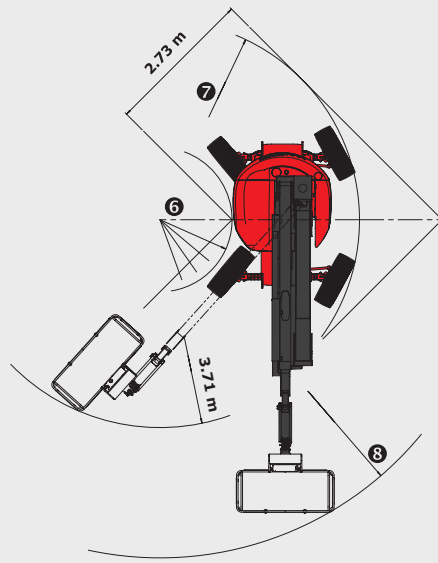
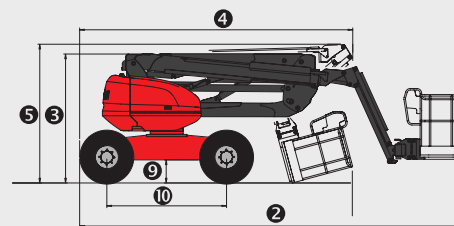
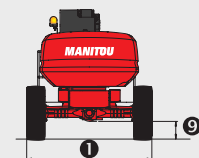
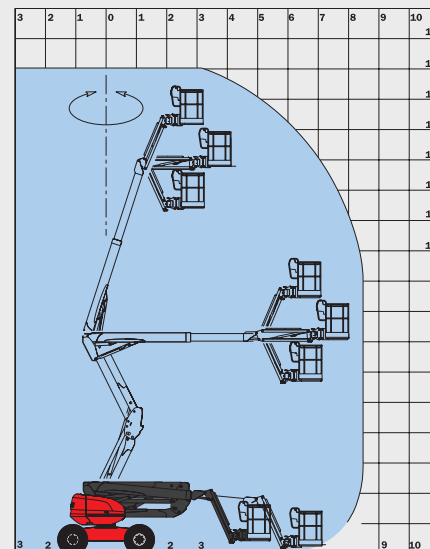


 **MANITOU**

www.manitou.com

160 ATJ +

		160 ATJ +
	Working height	16.25 m
	Platform height	14.25 m
	Articulation height	7.00 m
	Outreach	8.95 m
	Jib tilting	+70°/-70°
	Basket rotation	+90°/-90°
	Turret rotation	350°
	Capacity	400 kg
	Number of persons (indoor/outdoor)	2/2
	Basket (width and length)	2.30 x 0.93 m
	1. Overall width	2.30 m
	2. Overall length	6.93 m
	3. Overall height	2.37 m
	4. Overall length when folded	4.94 m
	5. Overall height when folded	2.70 m
	6. Inside turning circle	1.32 m
	7. Outside turning circle	3.68 m
	8. Turning Radius (basket)	6.39 m
	9. Ground clearance	42.5 cm
	10. Wheelbase	2.20 m
	Speed of forward movement	6 kph
	Working speed	0.80 kph
	Maximum slope accessible	40 %
	Maximum tilt	5° - 9 %
	Tyres	18"
	Driving wheels	4
	Steering/directional wheels	4
	Weight	8100 kg
	<small>(varies according to options & standards of the country)</small>	
	Engine	KUBOTA V2403-M
	Power	45 HP
	Environmental noise (LwA)	101 dB



Standard equipment

- Large Basket
- Proportional levers
- 4 simultaneous movements
- 4 wheel drive
- 4 wheel steer
- Wheels crab position
- Foam filled tyres
- Differential Lock
- Front Axle limited slip differential
- On Board Diagnostics
- Hour meter
- Fuel gauge with low level warning
- Tool box
- Protective cover with optional locking
- Horn
- Beacon
- Audible and visual display alarm for excessive slope
- Code Protected Machine Set Up
- Hooks for sling loading/lifting
- Electric Pump
- Predisposition 230V
- Dead man pedal

Optional equipment

- Oscillating Axle
- Continuous Rotation
- Onboard generator (3.50 kVA)
- Onboard generator (5.50 kVA)
- High capacity battery
- 230V power input with differential circuit-breaker
- Predisposition compressed air
- Predisposition of water
- Working light
- Special paint
- Biodegradable oil
- Warning Alarm for all movements
- Warning Travel Alarm
- Catalytic Converter
- Spark Arrester and overrun valve
- Anti Theft code
- 20" Wheels
- Non Marking tyres
- Certificate of verification
- Safety harness
- High capacity battery

This brochure describes versions and configuration options for MANITOU products which may be fitted with different equipment. The equipment described in this brochure may be standard, optional or not available depending on version. MANITOU reserves the right to change the specifications shown and described at any time and without prior warning. The manufacturer is not liable for the specifications given. For more information, contact your MANITOU dealer. Non-contractual document. Product descriptions may differ from actual products. List of specifications is not comprehensive. The logos and visual identity of the company are the property of MANITOU and may not be used without authorisation. All rights reserved. The photos and diagrams contained in this brochure are provided for information only.

MANITOU BF SA - Limited company with board of directors - Share capital: 39,547,824 euros - 857 802 508 RCS Nantes

